

DATI TECNICI

Alimentazione	Batteria CR2032
Codifica	Rolling code
Frequenza radio	433,92MHz
Portata	100m (nominali)

PROGRAMMAZIONE DEL TRASMETTITORE CON ACCESSO ALLA RICEVENTE

Requisiti: avere accesso ai tasti di programmazione della ricevente

1- Attivare la ricevente sulla quale si vuole utilizzare il trasmettitore in modalità “programmazione radio di trasmettitori generici” e selezionare la funzione che si desidera abbinare al tasto (vedi il manuale della ricevente)

2- Fare una pressione con il tasto che si desidera programmare, il led della ricevente emette tre lampeggi per segnalare l'avvenuta ricezione.

PROGRAMMAZIONE DEL TRASMETTITORE IN PROSSIMITÀ DELLA RICEVENTE

Requisiti: un trasmettitore già programmato / essere in prossimità della ricevente

1- Con il trasmettitore già programmato premere contemporaneamente i tasti 1 e 2 fino a che il led lampeggia (circa 3 sec).

2- Con il trasmettitore già programmato premere il tasto abbinato alla centrale di cui si desidera attivare l'ascolto

3- Con il trasmettitore “nuovo” fare una pressione con il tasto che si desidera programmare

TECHNICAL DATA

Power supply	CR2032 battery
Encoding	Rolling code
Radio frequency	433,92MHz
Range	100m (nominal)

TRANSMITTER PROGRAMMING WITH ACCESS TO RECEIVER

Requirements: have access to the recipient's programming keys

1- Activate the receiver on which you want to use the transmitter in “radio programming of generic transmitters” mode and select the function that you want to associate with the key (see receiver manual).

2- Press the desired key; the receiver's LED flashes three times to signal it has been received.

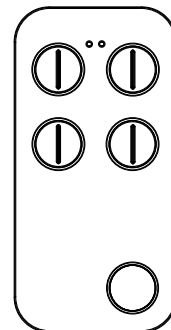
TRANSMITTER PROGRAMMING NEAR THE RECEIVER

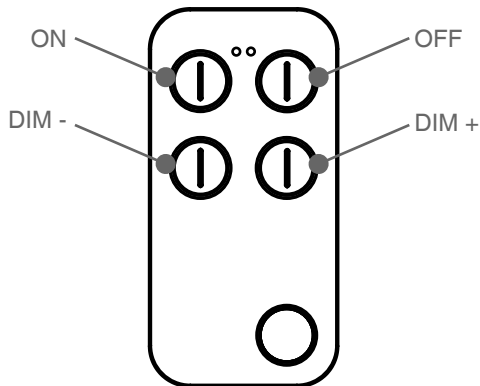
Requirements: a transmitter already programmed / be near the receiver

1- With the programmed transmitter, press simultaneously buttons 1 and 2 of the transmitter until the led Flashes (about 3 sec.).

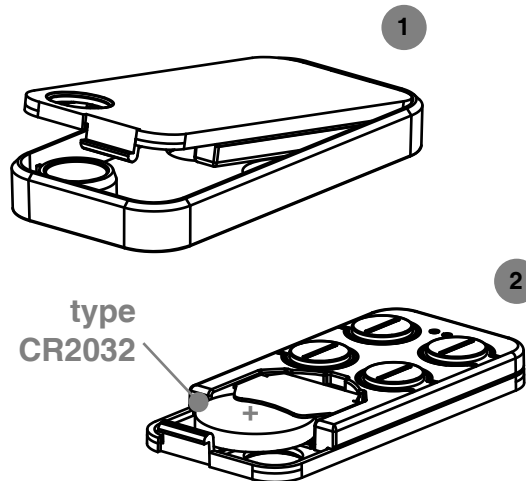
2- With the programmed transmitter, press the button associated with the control unit which you want to turn on the leaning

3- With the “new” transmitter, press the button you want to program





SOSTITUZIONE DELLA BATTERIA BATTERY REPLACEMENT



RF exposure statement

This equipment complies with the FCC radiation exposure limits set forth for an uncontrolled environment. This transmitter must not be co-located or operating in conjunction with any other antenna or transmitter.

FCC Warning

FCC ID: 2BEKD-LINEA-1DIMPFJ

This device complies with part 15 of the FCC Rules.

Operation is subject to the following two conditions:

- (1) This device may not cause harmful interference
- (2) This device must accept any interference received, including interference that may cause undesired operation

Note: This equipment has been tested and found to comply with the limits for a Class B digital device, pursuant to part 15 of the FCC Rules. These limits are designed to provide reasonable protection against harmful interference in a residential installation. This equipment generates, uses and can radiate radio frequency energy and, if not installed and used in accordance with the instructions, may cause harmful interference to radio communications. However, there is no guarantee that interference will not occur in a particular installation. If this equipment does cause harmful interference to radio or television reception, which can be determined by turning the equipment off and on, the user is encouraged to try to correct the interference by one or more of the following measures:

- Reorient or relocate the receiving antenna.
- Increase the separation between the equipment and receiver.
- Connect the equipment into an outlet on a circuit different from that to which the receiver is connected.
- Consult the dealer or an experienced radio/TV technician for help.

NOTE 2: Any changes or modifications to this unit not expressly approved by the party responsible for compliance could void the user's authority to operate the equipment.