

Product Name : Motorcycle riding system

Product Model : M2

Input : 12V 550mA

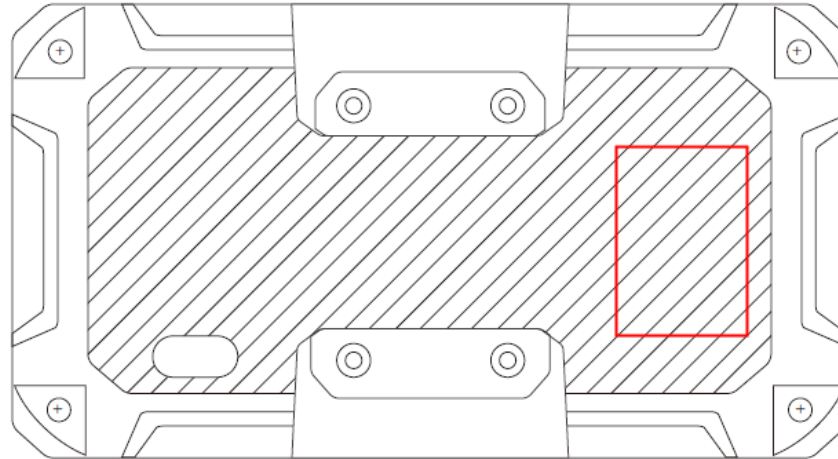
Manufacturer : Shenzhen ATS Electronics Technology Co., Ltd.

FCC ID : 2BEJUM2

Made in China



R 220-JP7044



4.9*2.7CM

Product Name : Motorcycle riding system
Product Model : **M2 PRO**
Input : 12V 550mA
Manufacturer : Shenzhen ATS Electronics Technology Co., Ltd.
FCC ID : 2BEJUM2
Made in China



Product Name : Motorcycle riding system
Product Model : **M201**
Input : 12V 550mA
Manufacturer : Shenzhen ATS Electronics Technology Co., Ltd.
FCC ID : 2BEJUM2
Made in China



Product Name : Motorcycle riding system
Product Model : **M202**
Input : 12V 550mA
Manufacturer : Shenzhen ATS Electronics Technology Co., Ltd.
FCC ID : 2BEJUM2
Made in China



Product Name : Motorcycle riding system
Product Model : **M2 PRO**
Input : 12V 550mA
Manufacturer : Shenzhen ATS Electronics Technology Co., Ltd.
FCC ID : 2BEJUM2
Made in China



Product Name : Motorcycle riding system
Product Model : **M203**
Input : 12V 550mA
Manufacturer : Shenzhen ATS Electronics Technology Co., Ltd.
FCC ID : 2BEJUM2
Made in China



Product Name : Motorcycle riding system
Product Model : **M12**
Input : 12V 550mA
Manufacturer : Shenzhen ATS Electronics Technology Co., Ltd.
FCC ID : 2BEJUM2
Made in China



Product Name : Motorcycle riding system
Product Model : **M12 PRO**
Input : 12V 550mA
Manufacturer : Shenzhen ATS Electronics Technology Co., Ltd.
FCC ID : 2BEJUM2
Made in China



Product Name : Motorcycle riding system
Product Model : **M1201**
Input : 12V 550mA
Manufacturer : Shenzhen ATS Electronics Technology Co., Ltd.
FCC ID : 2BEJUM2
Made in China



Product Name : Motorcycle riding system
Product Model : **M1202**
Input : 12V 550mA
Manufacturer : Shenzhen ATS Electronics Technology Co., Ltd.
FCC ID : 2BEJUM2
Made in China



Product Name : Motorcycle riding system
Product Model : **M1203**
Input : 12V 550mA
Manufacturer : Shenzhen ATS Electronics Technology Co., Ltd.
FCC ID : 2BEJUM2
Made in China



Product Name : Motorcycle riding system
Product Model : **M3**
Input : 12V 550mA
Manufacturer : Shenzhen ATS Electronics Technology Co., Ltd.
FCC ID : 2BEJUM2
Made in China



Product Name : Motorcycle riding system
Product Model : **M5**
Input : 12V 550mA
Manufacturer : Shenzhen ATS Electronics Technology Co., Ltd.
FCC ID : 2BEJUM2
Made in China



Product Name : Motorcycle riding system

Product Model : M7

Input : 12V 550mA

Manufacturer : Shenzhen ATS Electronics Technology Co., Ltd.

FCC ID : 2BEJUM2

Made in China



Product Name : Motorcycle riding system

Product Model : M10

Input : 12V 550mA

Manufacturer : Shenzhen ATS Electronics Technology Co., Ltd.

FCC ID : 2BEJUM2

Made in China



Product Name : Motorcycle riding system

Product Model : M8

Input : 12V 550mA

Manufacturer : Shenzhen ATS Electronics Technology Co., Ltd.

FCC ID : 2BEJUM2

Made in China



Product Name : Motorcycle riding system

Product Model : M18

Input : 12V 550mA

Manufacturer : Shenzhen ATS Electronics Technology Co., Ltd.

FCC ID : 2BEJUM2

Made in China



Product Name : Motorcycle riding system

Product Model : M9

Input : 12V 550mA

Manufacturer : Shenzhen ATS Electronics Technology Co., Ltd.

FCC ID : 2BEJUM2

Made in China

