

## Shenzhen Anbotek Compliance Laboratory Limited

East of 4/F., Building A, Hourui No.3 industrial Zone, Xixiang  
Street, Bao'an District, Shenzhen, Guangdong, China  
[Http://www.anbotek.com](http://www.anbotek.com)

Tel:(86)755-26066061  
Fax:(86)755-26066021  
Email:service@anbotek.com

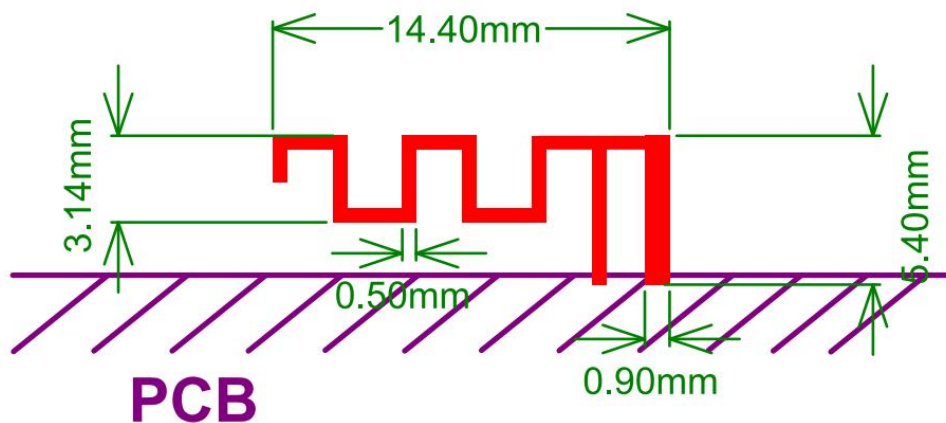
### Antenna describe

#### 1. Antenna describe:

Antenna plate	Monopole antenna
Make name/model name	M60
Antenna gain	0dBi
Frequency range	2.4GHz-2.483GHz
Connector type	direct
Location of measurement(company name)	Shenzhen Huishangda science &Technology Co.Ltd.

#### 2. External view drawing:

Picture of antenna



## Shenzhen Anbotek Compliance Laboratory Limited

East of 4/F., Building A, Hourui No.3 industrial Zone, Xixiang  
Street, Bao'an District, Shenzhen, Guangdong, China  
[Http://www.anbotek.com](http://www.anbotek.com)

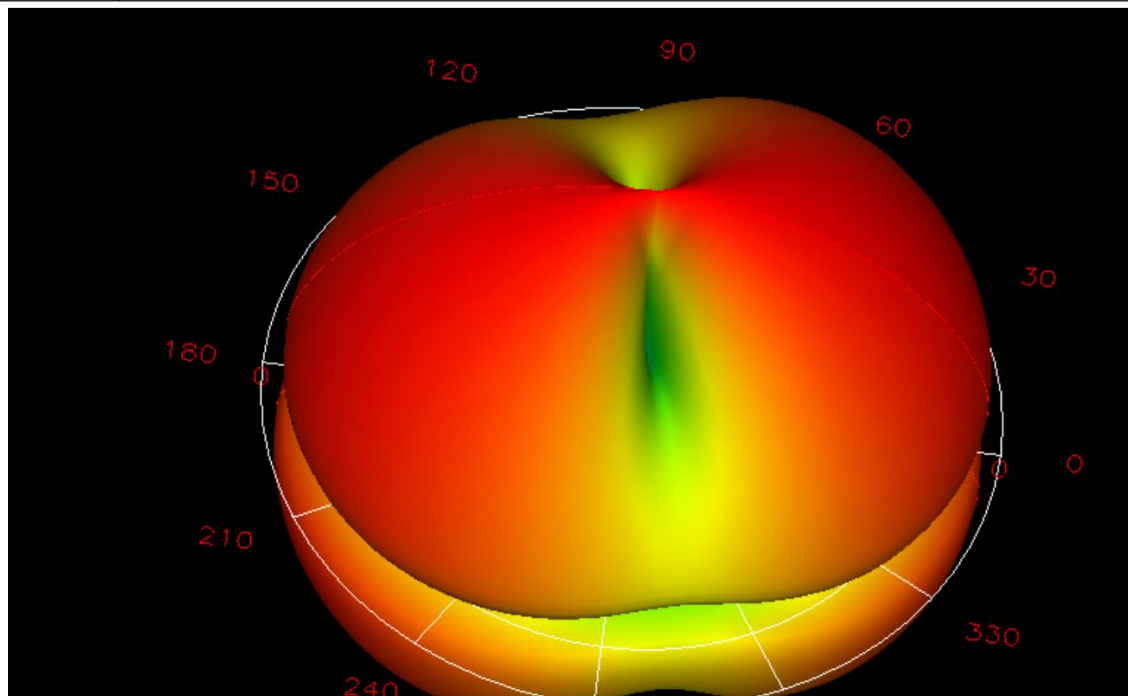
Tel:(86)755-26066061  
Fax:(86)755-26066021  
Email:service@anbotek.com

### 3. Antenna Radiation Pattern

Radiation [pattern@2.402GHz](#)

Total Average Gain: -0.475dbi

Phi	0	45	90	135	180	235	270	315
Gain	-0.1	-0.3	-0.8	-0.5	-0.2	-0.6	-0.8	-0.5



## Shenzhen Anbotek Compliance Laboratory Limited

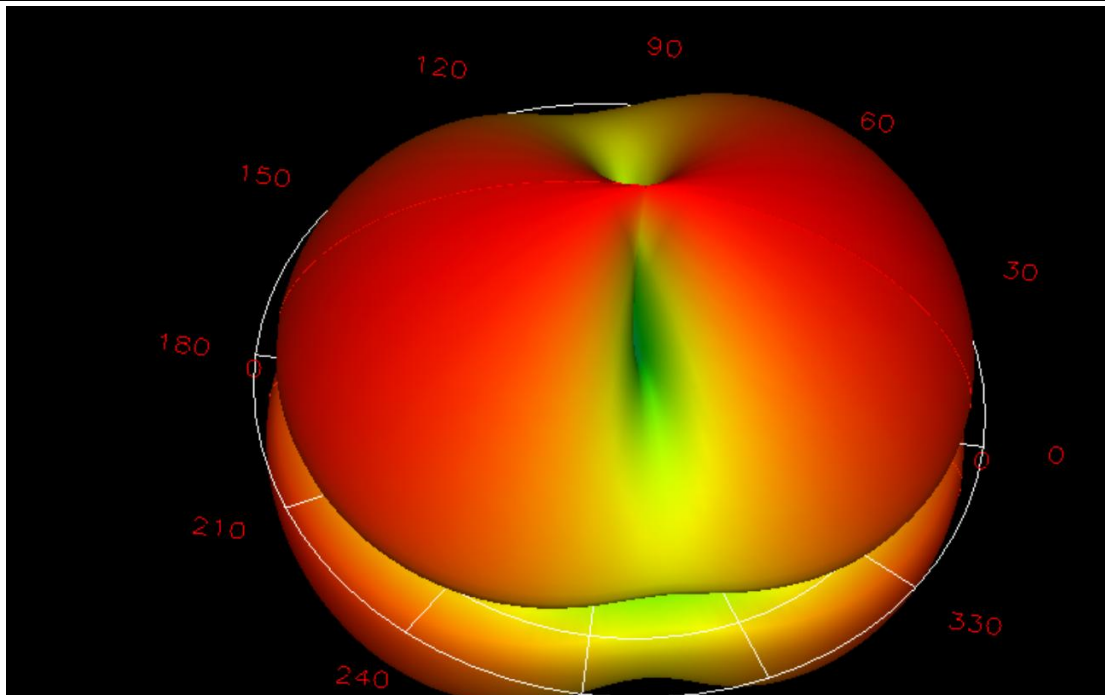
East of 4/F., Building A, Hourui No.3 industrial Zone, Xixiang  
Street, Bao'an District, Shenzhen, Guangdong, China  
[Http://www.anbotek.com](http://www.anbotek.com)

Tel:(86)755-26066061  
Fax:(86)755-26066021  
Email:service@anbotek.com

Radiation [pattern@2.441GHz](#)

Total Average Gain: -0.275dbi

Phi	0	45	90	135	180	235	270	315
Gain	0	-0.1	-0.3	-0.6	-0.1	-0.2	-0.6	-0.4



## Shenzhen Anbotek Compliance Laboratory Limited

East of 4/F., Building A, Hourui No.3 industrial Zone, Xixiang  
Street, Bao'an District, Shenzhen, Guangdong, China  
[Http://www.anbotek.com](http://www.anbotek.com)

Tel:(86)755-26066061  
Fax:(86)755-26066021  
Email:service@anbotek.com

Radiation [pattern@2.480GHz](#)

Total Average Gain: -0.237dbi

Phi	0	45	90	135	180	235	270	315
Gain	0	-0.1	-0.2	-0.5	0	-0.3	-0.6	-0.2

