

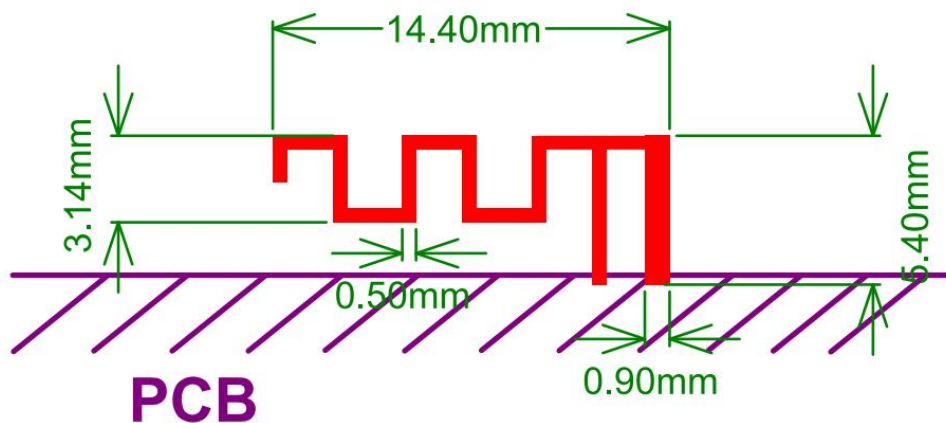
Antenna describe

1. Antenna describe:

Antenna plate	Monopole antenna
Make name/model name	M60
Antenna gain	0dBi
Frequency range	2.4GHz-2.483GHz
Connector type	direct
Manufacture	Yongcheng International Technology Co. LTD

2. External view drawing:

Picture of antenna



# Yongcheng International Technology Co. LTD

## 3. Antenna Radiation Pattern

Radiation [pattern@2.402GHz](#)

Total Average Gain: -0.475dbi

Phi	0	45	90	135	180	235	270	315
Gain	-0.1	-0.3	-0.8	-0.5	-0.2	-0.6	-0.8	-0.5

Yongcheng International Technology Co. LTD

Radiation [pattern@2.440GHz](#)

Total Average Gain: -0.275dbi

Phi	0	45	90	135	180	235	270	315
Gain	0	-0.1	-0.3	-0.6	-0.1	-0.2	-0.6	-0.4

Yongcheng International Technology Co. LTD

Radiation [pattern@2.480GHz](#)

Total Average Gain: -0.237dbi

Phi	0	45	90	135	180	235	270	315
Gain	0	-0.1	-0.2	-0.5	0	-0.3	-0.6	-0.2