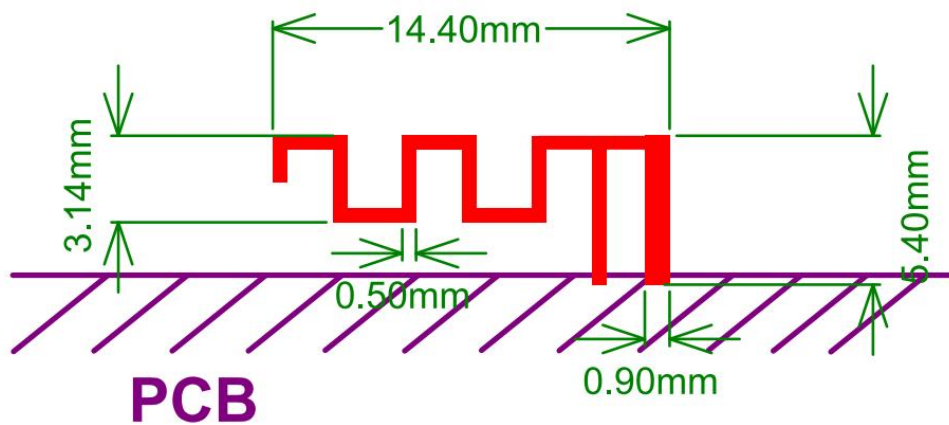


Antenna Report

Antenna plate	PCB antenna
Make name/model name	M60
Antenna gain	0dBi
Frequency range	2.4GHz-2.483GHz
Connector type	direct
Manufacturer:	SHENZHEN WENTELMICRO ELECTRONIC CO., LTD
Address:	2nd Floor, Annex Building, Corrente Building, No. 1 Ganli 5th Road, Jihua Street, Longgang District, Shenzhen, China

2. External view drawing:

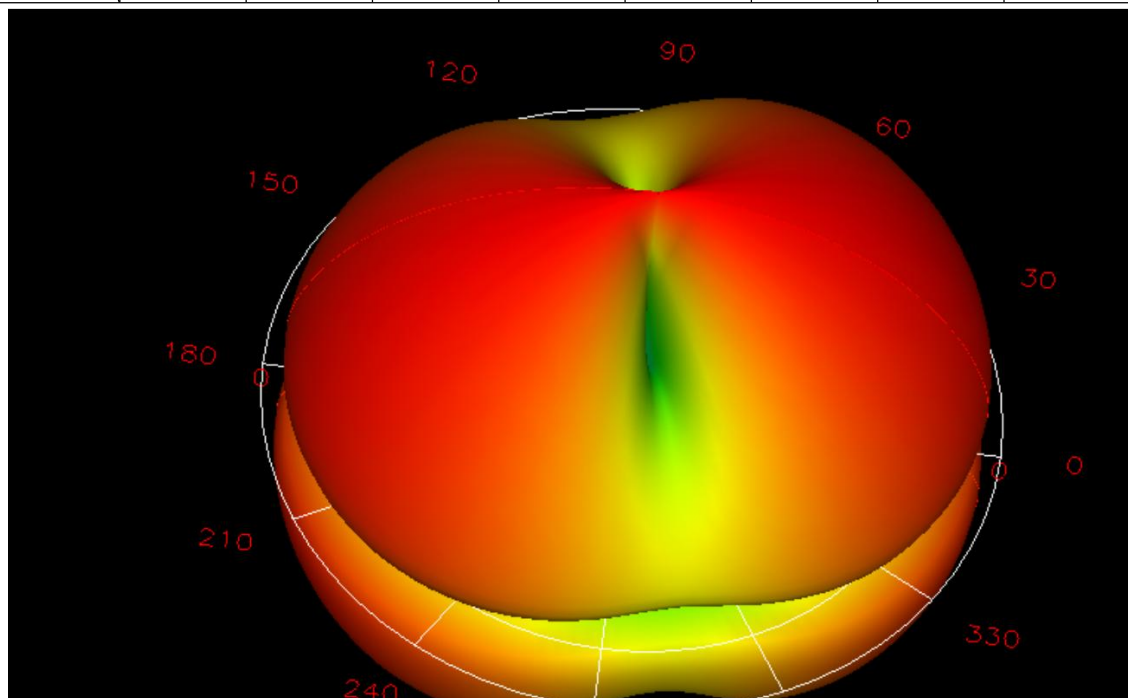
Picture of antenna



3. Antenna Radiation Pattern

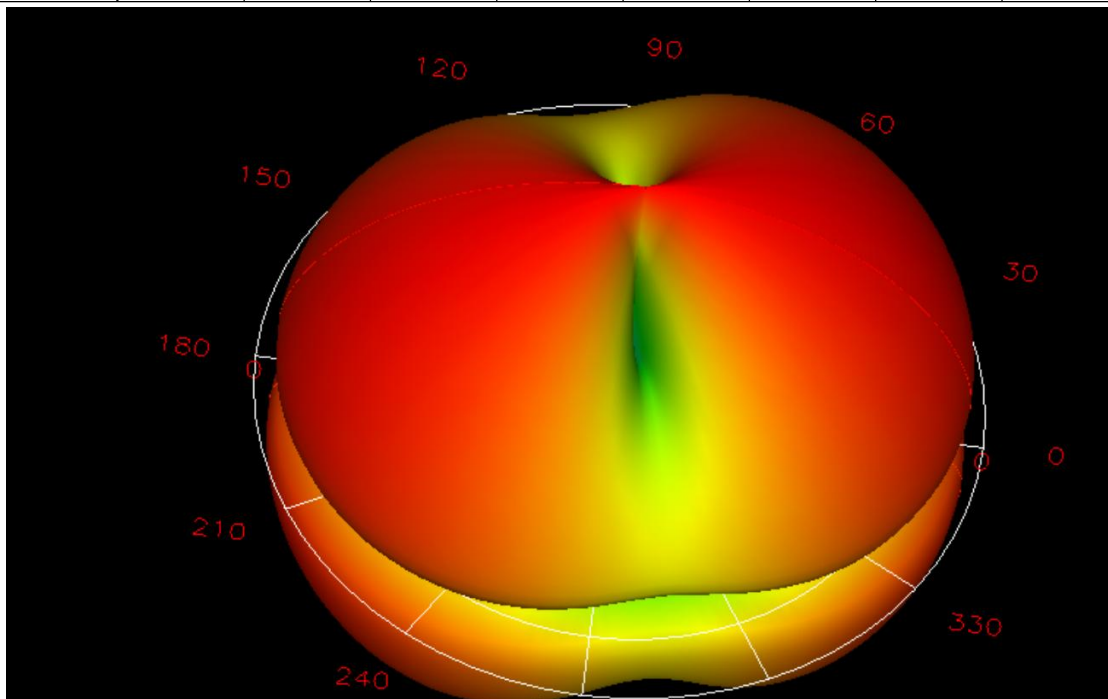
Total Average Gain: -0.475dbi

Phi	0	45	90	135	180	235	270	315
Gain	-0.1	-0.3	-0.8	-0.5	-0.2	-0.6	-0.8	-0.5



Total Average Gain: -0.275dbi

Phi	0	45	90	135	180	235	270	315
Gain	0	-0.1	-0.3	-0.6	-0.1	-0.2	-0.6	-0.4



Total Average Gain: -0.237dbi

Phi	0	45	90	135	180	235	270	315
Gain	0	-0.1	-0.2	-0.5	0	-0.3	-0.6	-0.2

