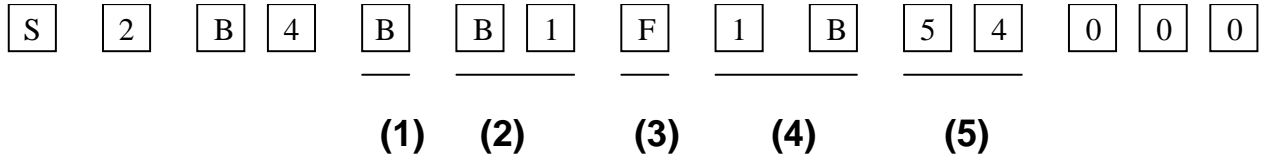


BT FPC Antenna (S23)

1. Explanation of Product Number



Product Description:

(1) Product Categories:

B:BT Antenna

(2) Dimensions:

B1:10.70*10 (mm)

(3) Material:

F: FPC

(4) Working Frequencies:

1B: 2.4G-2.5G

(5) Antenna Series:

01: Serial number

Tolerances (Unless otherwise specified)
 X : ± 1 X.X : ± 0.1 X.XX : ± 0.01
Angle : ± **Hole Dia. : ±**



深圳市迎丰天线技术有限公司

SHEN ZHEN YINGFENG ANTENNA TECHNOLOGYCO.,LTD

Scale :	Unit : mm
Drawn By : Shelley	Checked By : Simon
Designed By :Simon	Approved By :Simon

THIS SPECIFICATION IS THE PROPERTY OF UNICTRON TECHNOLOGIES CORPORATION AND SHALL NOT BE REPRODUCED OR USED IN ALL CIRCUMSTANCES WITHOUT WRITTEN PERMISSION

TITLE : BT FPC Antenna(S23)	PART NO.	S2B4BB1F1B54000	REV.
			A

2. Features

- *Stable and reliable in performances
- *RoHS compliance
- *Low cost

3. Applications

- *BT

4. Description

* YINGFENMG FPC antenna series are specially designed for 2.4G-2.5G band application. Based on YINGFENG proprietary designs and processes, this FPC antenna has excellent stability and sensitivity to consistently provide high signal reception efficiency.

5. Antenna Electrical Specifications :

Characteristics	Specifications			Unit
Outline Dimensions	10.70*10			mm
Frequency	2400~2500			MHz
Impedance	50			Ω
Polarization	Linear Polarization			
Return Loss Table	Return Loss			
Freq.Band	2.4G Hz	2.45G Hz	2.5G Hz	
dB	-16.98	-29.81	-17.34	
VSWR Table	VSWR			
Freq.Band	2.4G Hz	2.45G Hz	2.5G Hz	
	1.18	1.08	1.29	
GAIN Table	Total Gain = Xpol + Ppol			
Freq.Band	2400MHz	2450MHz	2485MHz	2500MHz
Peak Gain(dBi)	1.51	1.72	1.69	1.23

Tolerances (Unless otherwise specified)

X : ± 1 X.X : ± 0.1 X.XX : ± 0.01

Angle : \pm

Hole Dia. : \pm



深圳市迎丰天线技术有限公司

SHEN ZHEN YINGFENG ANTENNA TECHNOLOGY CO.,LTD

Scale :

Unit : mm

Drawn By : Shelley

Checked By : Simon

Designed By : Simon

Approved By : Simon

THIS SPECIFICATION IS THE PROPERTY OF UNICTRON TECHNOLOGIES CORPORATION AND SHALL NOT BE REPRODUCED OR USED IN ALL CIRCUMSTANCES WITHOUT WRITTEN PERMISSION

TITLE : BT FPC Antenna(S23)

PART
NO.

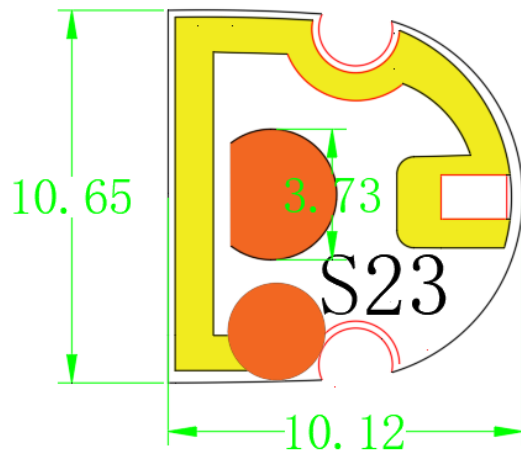
S2B4BB1F1B54000

REV.

A

6. Dimensions (unit: mm)

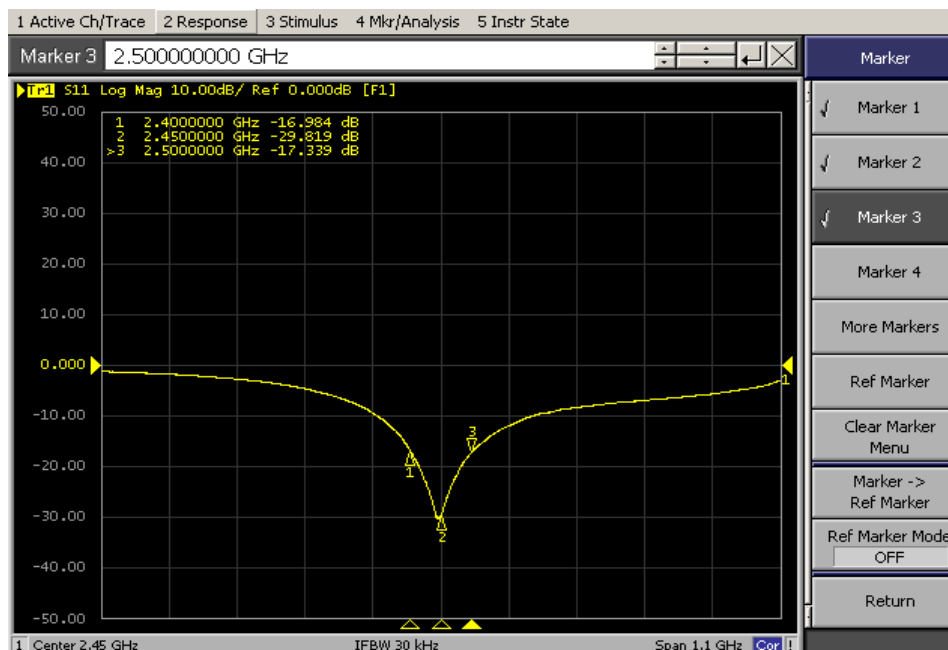
Dimensional tolerance: $\pm 0.2\text{mm}$



Double-sided adhesive on the front side 3.5mm

7. Measurement Characteristics:

(1) Return Loss



Tolerances (Unless otherwise specified)

X : ± 1 X.X : ± 0.1 X.XX : ± 0.01

Angle : \pm

Hole Dia. : \pm



深圳市迎丰天线技术有限公司

SHEN ZHEN YINGFENG ANTENNA TECHNOLOGY CO., LTD

Scale :

Unit : mm

Drawn By : Shelley

Checked By : Simon

Designed By : Simon

Approved By : Simon

THIS SPECIFICATION IS THE PROPERTY OF UNICTRON TECHNOLOGIES CORPORATION AND SHALL NOT BE REPRODUCED OR USED IN ALL CIRCUMSTANCES WITHOUT WRITTEN PERMISSION

TITLE : BT FPC Antenna(S23)

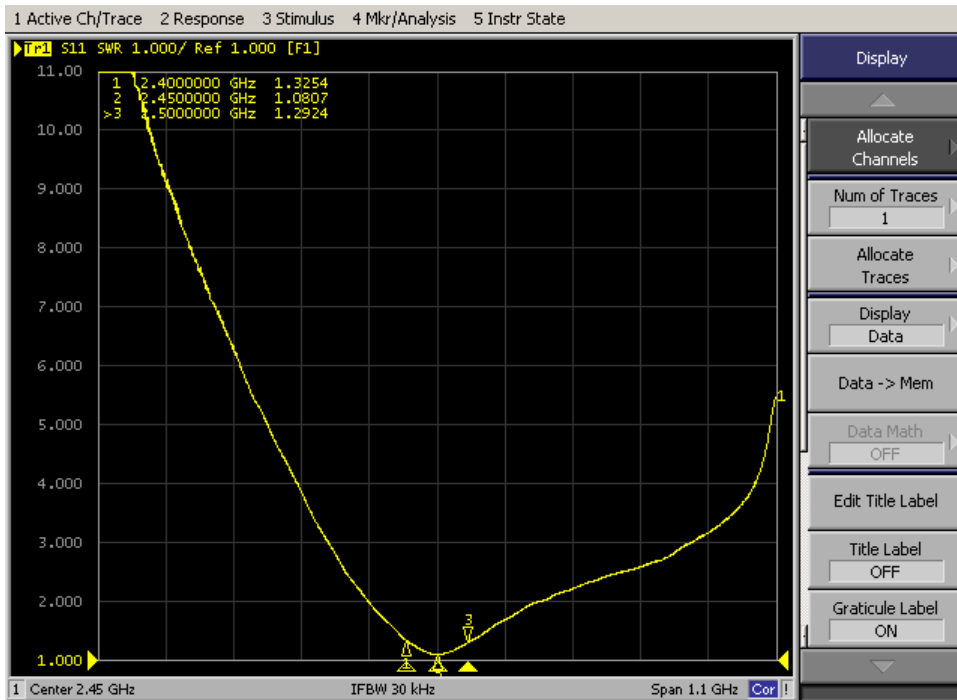
PART
NO.

S2B4BB1F1B54000

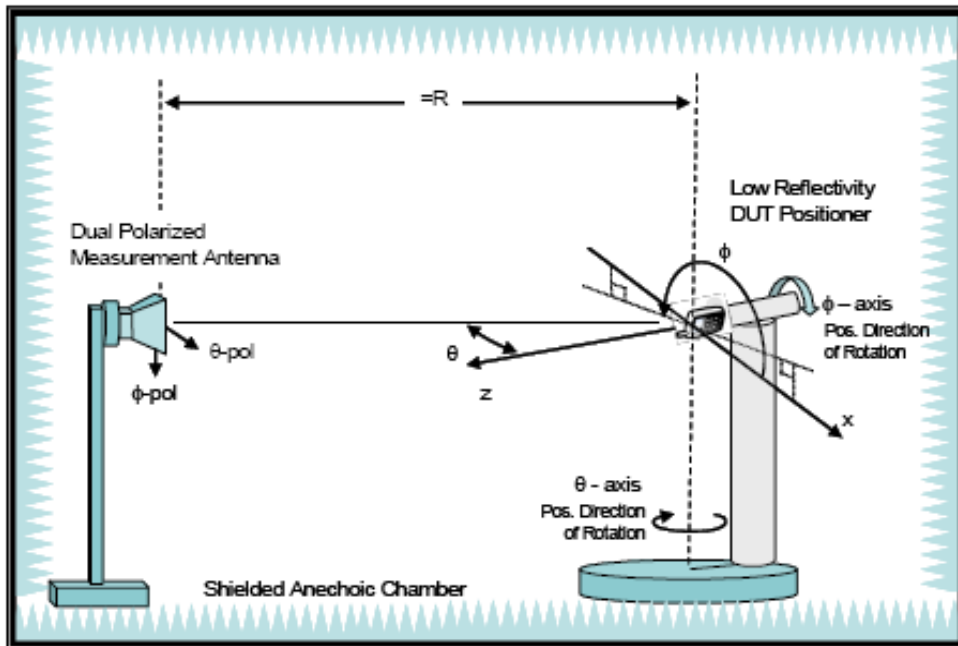
REV.

A

(2) VSWR



8. Three D Radiation Pattern measurements



Tolerances (Unless otherwise specified)

X : ± 1 X.X : ± 0.1 X.XX : ± 0.01

Angle : \pm

Hole Dia. : \pm



深圳市迎丰天线技术有限公司

SHEN ZHEN YINGFENG ANTENNA TECHNOLOGY CO., LTD

Scale :

Unit : mm

Drawn By : Shelley

Checked By : Simon

Designed By : Simon

Approved By : Simon

THIS SPECIFICATION IS THE PROPERTY OF UNICTRON TECHNOLOGIES CORPORATION AND SHALL NOT BE REPRODUCED OR USED IN ALL CIRCUMSTANCES WITHOUT WRITTEN PERMISSION

TITLE : BT FPC Antenna(S23)

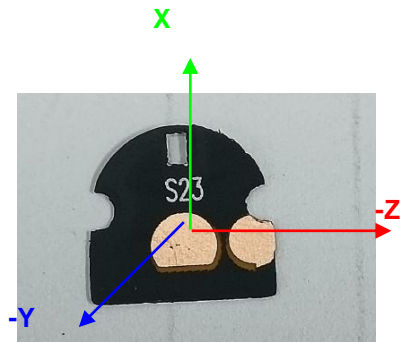
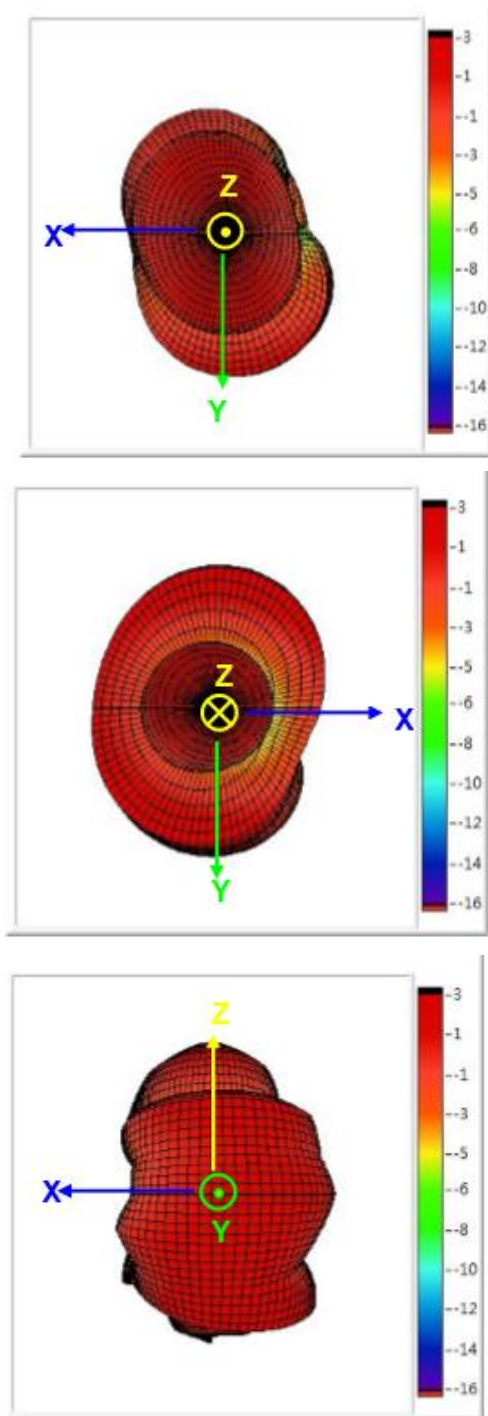
PART
NO.

S2B4BB1F1B54000

REV.
A

9.Radiation Pattern

9-1.3D Gain Pattern (Radiation Pattern at 2450 MHz)



Tolerances (Unless otherwise specified)
 X : ± 1 X.X : ± 0.1 X.XX : ± 0.01
 Angle : ± Hole Dia. : ±



深圳市迎丰天线技术有限公司
 SHEN ZHEN YINGFENG ANTENNA TECHNOLOGY CO., LTD

Scale :	Unit : mm
Drawn By : Shelley	Checked By : Simon
Designed By : Simon	Approved By : Simon

THIS SPECIFICATION IS THE PROPERTY OF UNICTRON TECHNOLOGIES CORPORATION AND SHALL NOT BE REPRODUCED OR USED IN ALL CIRCUMSTANCES WITHOUT WRITTEN PERMISSION

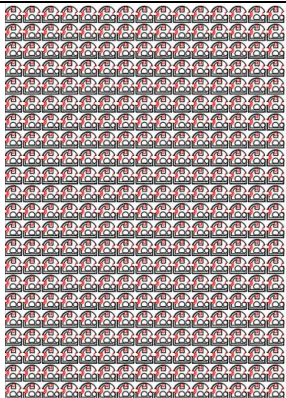
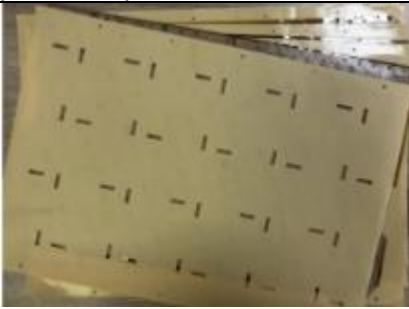


TITLE : BT FPC Antenna(S23)	PART NO.	S2B4BB1F1B54000	REV.
			A

9-2.2D Gain complete machine (Radiation Pattern at 2450 MHz)

9-3.complete machine Efficiency Table

Frequency(MHz)	2400	2420	2450	2460	2480	2500
Efficiency (dB)	-2.22	-1.71	-2.09	-2.13	-2.24	-2.07
Efficiency (%)	30.9	32.3	36	35	29.18	26
Gain (dBi)	1.51	1.62	1.72	1.7	1.69	1.23

10-1 产品包装 Product packaging

版本 edition:: V2.0	页码 Page: 1/1
1.产品排版: 22*15=330 套	2.离型纸隔层摆放保护天线 Barrier paper protection products
	
3.密封袋封装效果 Sealing bag packaging effect	4.纸箱封箱效果(贴出货标签和 ROHS 标签) Carton sealing effect
	

10-2.Revision Control:

Revision	Date	Content	Remark
A	2024-1-17	New Issued.	N/A

Tolerances (Unless otherwise specified)

X : ± 1 X.X : ± 0.1 X.XX : ± 0.01

Angle : ± Hole Dia. : ±

Scale : Unit : mm

Drawn By : Shelley Checked By : Simon

Designed By :Simon Approved By :Simon



深圳市迎丰天线技术有限公司

SHEN ZHEN YINGFENG ANTENNA TECHNOLOGYCO.,LTD

THIS SPECIFICATION IS THE PROPERTY OF UNICTRON TECHNOLOGIES CORPORATION AND SHALL NOT BE REPRODUCED OR USED IN ALL CIRCUMSTANCES WITHOUT WRITTEN PERMISSION

TITLE : BT FPC Antenna(S23)

PART
NO.

S2B4BB1F1B54000

REV.
A