



# Ki-84

## 10CH MM/3D/6G SYSTEM AIRPLANE

### 快速入门手册

SWITCH

WWW.AIRMOFLY.COM

### Product introduction 产品介绍

- This product is for beginners and above, and can perform an aerobatic show with one button.
- Low stalling speed and high glide performance, stable and easy to control; to perform numerous model aerobatic maneuvers, such as horizontal roll, inverted flight, and half-roll flight.
- Support SBUS and GPS function, and fully controlled by radio link, simpler and easier.
- You can switch between manual mode (MM), three-axis gyroscope (3D), and six-axis gyroscope (6G) to experience different operations while maintaining light stability and safety.
- This product is made of advanced environmentally friendly materials, EPP foam and waterborne coating.
- The product features great structural design and quality control to make it fly sturdier and easier.
- This product adopts a detachable modular design, easy to carry, and convenient for maintenance.
- This product complies with aerodynamic principles and is powered by standard batteries.

The duration of gliding flight can reach at least 25 minutes.

- 本产品适合入门飞行爱好者，可在遥控飞行中完成特技飞行。
- 具有较低的失速速度和优异的滑翔性能，飞行稳定，易于控制，可实现多种特技动作，如侧滚、倒飞、滚翻等。
- 支持SBUS和GPS功能，可通过无线电链路进行遥控飞行，操作简单。
- 您可以通过手动模式(MM)、三轴陀螺仪(3D)和六轴陀螺仪(6G)来体验不同的操作，同时保持轻盈稳定性和安全性。
- 本产品采用先进的环保材料，EPP泡沫和水性涂层。
- 产品具有出色的结构设计，并严格控制质量，使其飞行更坚固、更容易。
- 本产品采用可拆卸模块化设计，便于携带，且便于维护。
- 本产品符合空气动力学原理，并由标准电池供电。

滑翔飞行的持续时间至少可达25分钟。

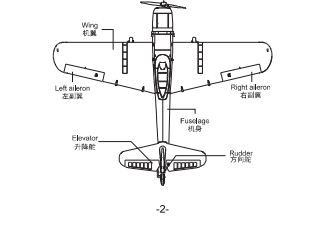
### Parameter configuration 基本参数及配置

Specifications for 6500MM Ki-84 Aircraft	6500MM Ki-84规格
Wingspan: 650mm/22.2 inches	翼展: 650mm/22.2英寸
Full length: 500mm/22.2 inches	全长: 500mm/22.2英寸
Motor: 220A-2300KV brush-less motor	电机转速: 220A 无刷电机(220~2300KV)
Electronic governor: 16A	电子调速器: 16A
Servo: 3.1g Servo X4	伺服电机: 3.1g伺服电机 X4
Center of gravity: 25-35mm (from the front edge)	重心: 25-35mm (从前缘)
Lithium battery: 7.4V 1300mAh 20C	锂电池: 7.4V 1300mAh 20C
Flight time: approx. 25 minutes	飞行时间: 约25分钟
RC: 10-channel remote control	遥控器: 10通道

### Packing list 包装清单

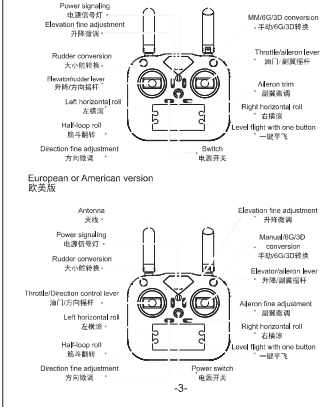
遥控器 RC remote control (RC-4000) x1	遥控器+1	USB充电线 x1
电池+1	附件包 kit x1	说明书 manual x1

### Aircraft components 遥控飞机各部件名称

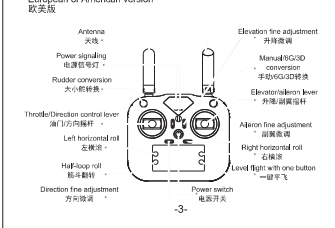


### RC components 遥控器各部位名称

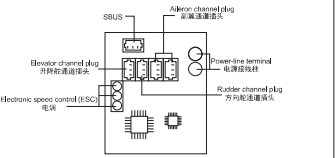
#### 亚洲版



#### 欧洲版/American version



### Introduction to corresponding sockets of receivers 接收机对应插座介绍



### Safety precautions 安全注意事项

This product is intended to be used outdoors and is not to be used in the vicinity of buildings, power lines, or other structures. Do not use the product in the vicinity of buildings, power lines, or other structures. Do not use the product in the vicinity of buildings, power lines, or other structures.

Always protect the RC aircraft from moisture or water vapor as it has many precision electronic components inside. Do not use the aircraft in the bathroom or rainy days.

本产品具有许多精密的电子元件，请务必防止水汽。请勿在浴室或雨天使用本产品。

请务必防止水汽。请勿在浴室或雨天使用本产品。

请务必防止水汽。请勿在浴室或雨天使用本产品。

### THIS PRODUCT IS RECOMMENDED FOR OPERATORS OVER 14 YEARS OLD. THE RC GLIDER IS DIFFICULT TO LEARN AT THE EARLY STAGE. OPERATORS CAN FLY ONLY AFTER SKILLFULLY OPERATING THE MODEL GLIDER ON THE SIMULATOR.

本产品适用于14岁以上，遥控滑翔机在学习初期有着一定难度，建议初学者以G6模式飞行，可降低坠机风险。

### Installation procedure 安装步骤

- Horizontal gear and vertical tail
- Install the horizontal tail
- Install the vertical tail

- Installation of wings
- Installation of landing gear
- Installation of propeller



### Usage of the charger 充电器使用

- Insert the battery into the USB charging port and plug the USB into the charging socket.
- When the red light is fully charged, the red light will turn off and the green light will be on.

### Flight preparation 飞行前准备

- Open the RC check, and confirm the throttle lever is in the bottom position and the other levers are in the middle position.
- Open the battery cover and connect the battery to the servo motor.

### Flight pre-adjustment 飞行前调整

- Open the RC and fly the aircraft on flat and down ground. Connect the power battery and then cover.
- Push the throttle to maximum and pull it back to minimum.

### Frequency pairing 对频

- Open the canopy and connect the battery with the receiver.
- Turn on the motor and the receiver.

### MM/3D/6G conversion MM/3D/6G转换

- The three positions on the right side of the RC are the changeover switches for flight attitudes.
- Turn the RC to the 6G mode.

### RECOMMENDATIONS: BEGINNERS SHOULD OPERATE IN 6G MODE TO MINIMIZE THE RISK OF CRASHING.

### 强烈建议: 初学者应以G6模式飞行,可降低坠机风险。

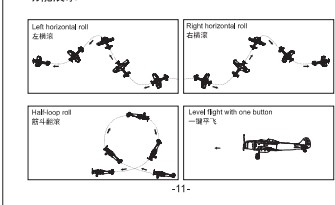
### Ground takeoff 地面起飞

- Place the aircraft on the ground facing the wind.
- Push the throttle to maximum and pull it back to minimum.

### Takeoff by throw 手抛起飞

Throw the aircraft vigorously at an angle of 5° against the wind, with the motor on full power, as shown in the figure below.

### Function 功能展示



### landing 降落

When the aircraft is flying if the RC alarm (red light flashing) and the aircraft appears to be underpowered, pull the throttle down to lower the flight speed.

### End of flight 结束飞行

Remove the batteries from the aircraft at the end of the flight. Do form habits to prevent any damage.

### Warnings 警告

If the battery is not removed, it may be damaged by overcharging and over discharge.

### Notice 注意

During the descent, if the course deviates, control the rudder. If the wind is too strong, control the distance of the aircraft in the downwind area.

### Troubleshooting 排除故障及异常情况

Condition 状况	Causes 原因	Countermeasures 对策
The signal light flashes after opening the aircraft, and the operation is unresponsive.	The frequency pairing between the RC and aircraft fails.	Pair the frequency again according to the steps on page 10.
The throttle does not move after the motor is powered on.	1. Servo motor is too low and the governor is powered off. 2. ESC or motor is damaged.	1. Charge or replace the battery. 2. Replace ESC or motor.
The motor vibrates violently when running.	1. Motor is damaged. 2. Motor is not properly installed.	1. Check the motor and replace it if necessary. 2. Reinstall the motor correctly.
The motor vibrates violently when running.	The motor is not properly installed.	Reinstall the motor correctly.
The motor vibrates violently when running.	The motor is not properly installed.	Reinstall the motor correctly.



This device complies with Part 15 of the FCC Rules. Operation is subject to the following two conditions: (1) this device may not cause harmful interference, and (2) this device must accept any interference received, including interference that may cause undesired operation

**NOTE:** This equipment has been tested and found to comply with the limits for a Class B digital device, pursuant to Part 15 of the FCC Rules. These limits are designed to provide reasonable protection against harmful interference in a residential installation. This equipment generates, uses and can radiate radio frequency energy and, if not installed and used in accordance with the instructions, may cause harmful interference to radio communications. However, there is no guarantee that interference will not occur in a particular installation.

If this equipment does cause harmful interference to radio or television reception, which can be determined by turning the equipment off and on, the user is encouraged to try to correct the interference by one or more of the following measures:

- Reorient or relocate the receiving antenna.
- Increase the separation between the equipment and receiver.
- Connect the equipment into an outlet on a circuit different from that to which the receiver is connected.
- Consult the dealer or an experienced radio/TV technician for help.

Warning: changes or modifications not expressly approved by the party responsible for compliance could void the user's authority to operate the equipment

The devices has been evaluated to meet general RF exposure requirement. the device can be used in portable exposure condition without restriction