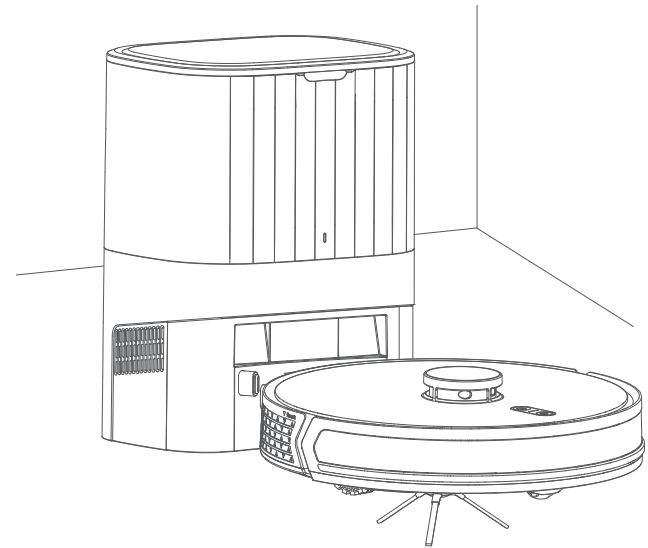


User Manual

Robot Vacuum Cleaner
with Self-Emptying Station



Thank you for choosing our robot vacuum cleaner!
Please read this manual carefully before use and keep it for future reference. Hopefully we shall render you a more convenient life of smart home.

This product is subject to the material object. Our company reserves the right to update the product without prior notice.

Best wishes!

Contents

Safety precaution	2
Packing list	3
Product Parameters	5
Product introduction	6
Install charging dock with dust box	9
Instruction on Use	9
Connect APP	10
Maintenance	11
Troubleshooting	18
Warranty	20
Hazardous substances contained in this product	21

Safety precaution

Usage restrictions

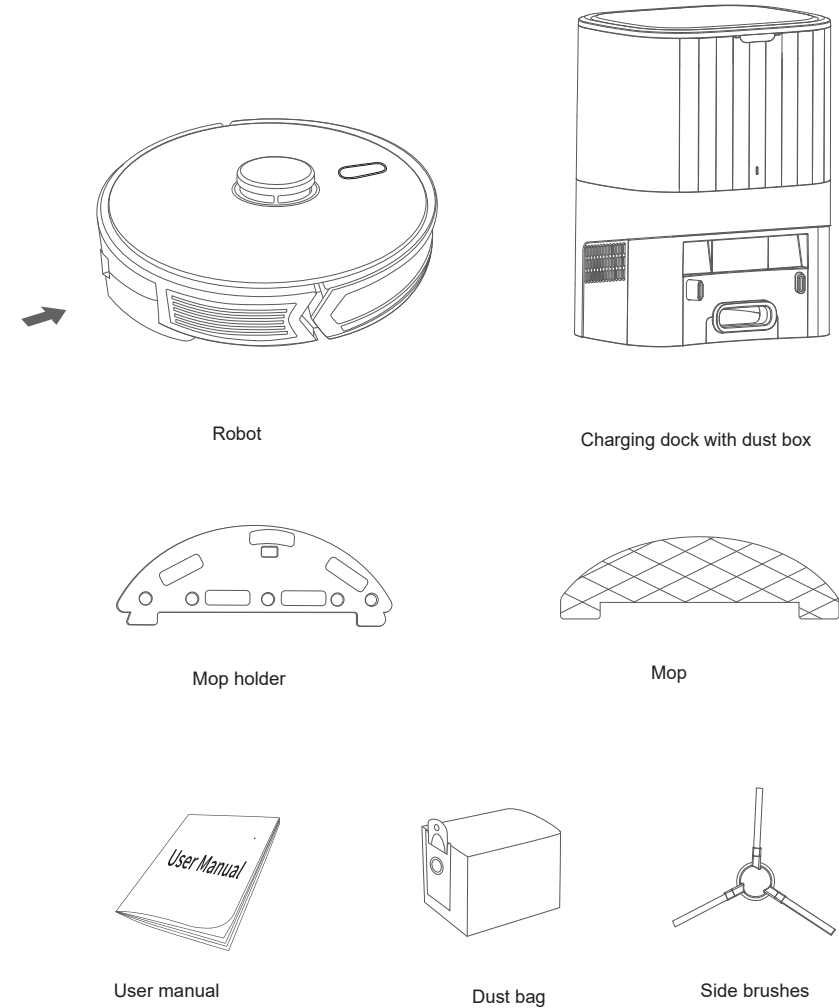
- To avoid danger of suffocation, keep this plastic bag away from babies and children.
- This product is intended for household use only, not for outdoor surface (such as open balconies), non-floor level (such as sofas), etc.
- Do not use this product on a surface where there is no guardrail protection (such as duplex buildings, open balconies, and the top of furniture).
- Do not use it in an environment where the temperature is higher than 40°C, lower than 0°C, or there are any liquids and viscous objects on the ground.
- Before use, please hang up the ground cable on the floor to prevent cable-related troubles.
- Please put away the fragile items and sundries placed on the ground (such as vases, plastic bags) to avoid the main machine being blocked or collided during operation and cause damage to valuables.
- Do not allow persons (including children) who lack physical, sensory and intellectual capacity or experience and common sense to use this product without supervision or guidance.
- Do not let children use this product as a toy.
- Do not place the cleaning tool of the main brush in a child-accessible area.
- Do not let your hair, fingers and other parts close to the vacuum port of the machine when the machine is working.
- Do not use this product to clean up any burning objects (e.g. unextinguished cigarette butts).
- Do not let the host pick up hard or sharp objects (such as decoration waste, glass, iron nails, etc.).
- Do not use the protective cover of the laser ranging sensor, the upper cover of the main unit and the collision buffer as a handle to carry the machine.
- To clean and maintain the main unit and the charging dock with dust box, first turn off the machine, pull out the plug from the socket, and disconnect the power supply. Do not immerse the main unit and the charging dock with dust box into water to wash or rinse it with water.
- Do not wipe any part of the product with a damp cloth or any liquid.
- Do not use the mopping mode on a carpeted floor.
- Please use this product in accordance with the instructions of this manual. Any loss and damage caused by improper use shall be borne by the user.

Battery and charging

- Incineration of the product is prohibited even if the product is severely damaged, as the battery of the product may explode.
- Do not use any third-party batteries, chargers and charging dock.
- Do not disassemble, repair or modify batteries and charging dock without permission.
- Do not place charging dock near heat sources (such as radiators).
- Do not wipe or clean the electrode of the charging dock with a damp cloth or wet hands.
- Do not throw away discarded batteries at will. Please send the battery to professional recycling organizations.
- If the power cord is damaged, it must be replaced by professionals from the manufacturer, maintenance department and similarly service department.
- If you need to transport the product, please make sure that the main unit is turned off, and it is recommended to use the original box.
- Do not pour water into the device, or immerse the device in water.
- If it is not used for a long time, please turn off the main unit after fully charged and put it in a cool and dry place, and charge it at least once every three months to avoid damage to the battery due to over-discharge.
- To take out the battery, you need to use the correct tool, first remove the bottom battery cover screw, then open the product battery cover, unplug the battery connection terminal, and take out the battery from the battery box.
- The battery must be removed from the appliance before disposing of the appliance.
- The appliance must be switched off when the battery is removed.

Packing list

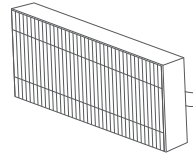
The illustrations of products, accessories, user interface, etc. in this manual are schematic diagrams and are for reference only. Due to product updates and upgrades, the actual product may be slightly different from the schematic diagram, please refer to the actual product.



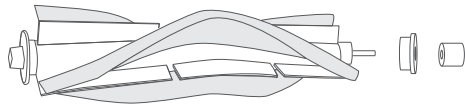
Accessories installed on the robot



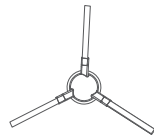
Main brush cover



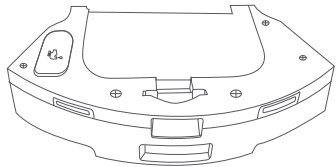
HEPA



Main brush



Side brushes



2-in-1 water tank

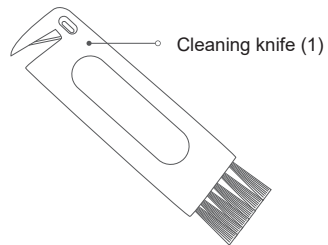
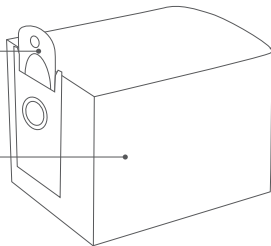
Accessories installed on the charging dock with dust box

Dust bag (include the one installed in the charging dock with dust box)

Dust bags cannot be recycled, please replace them regularly.

Dust bag handle

Dust bag



Cleaning knife (1)

Product Parameters

Main machine

Product name	Robot vacuum cleaner
Model	AT800
Product size	345mmX345mmX76mm
Input	DC 24V $\overline{=}$ 0.6A
Rated power	50W
Working voltage	14.8V $\overline{=}$
Battery type	Lithium-ion battery pack
Battery capacity	2600mAh
Wireless connection	Wi-Fi IEEE 802.11b/n 2.4GHz

Charging dock with dust box

Output	DC 19V $\overline{=}$ 1A
Rated power	950W
Product size	260mmX211mmX347mm

Whole machine

Net weight	7.8kg
------------	-------



Executive standard

Product introduction

1. Main machine

on the machine

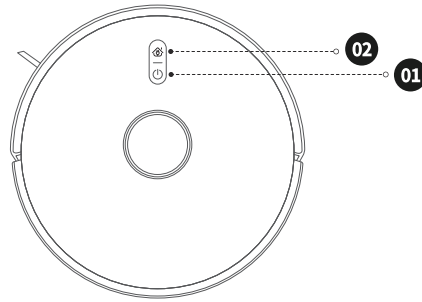
01 Power on/off/one key start and stop

- Press  hold & key for more than 3 seconds to turn on or Turn off the robot vacuum.
- Short press  key to perform start cleaning and pause operate.




LED indicator

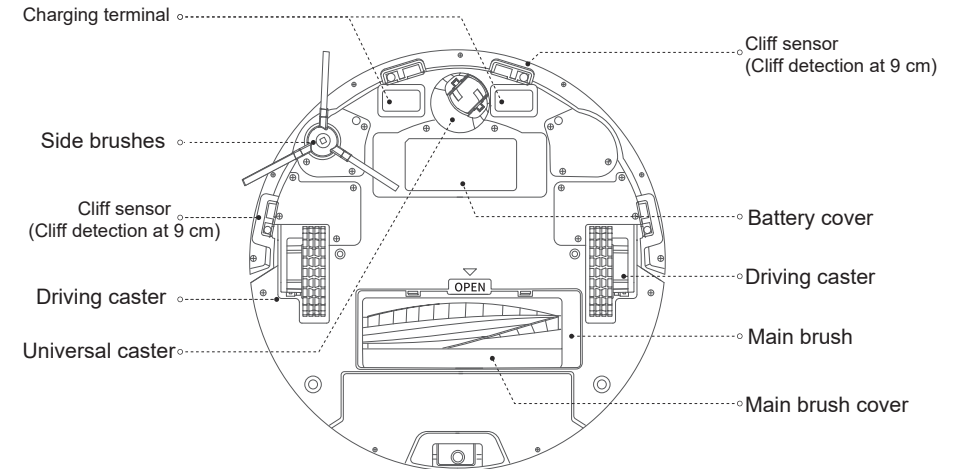
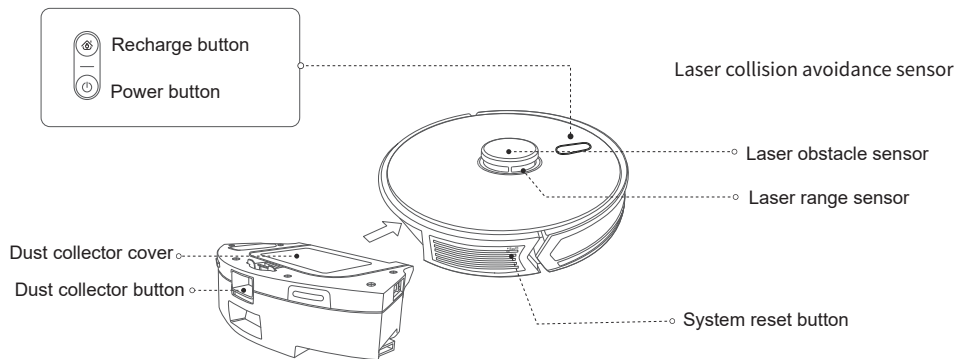
Green: normal operation/standby/charged.

Red: Low battery/fault alarm/charging.

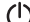



02 Automatic recharge/APP distribution network

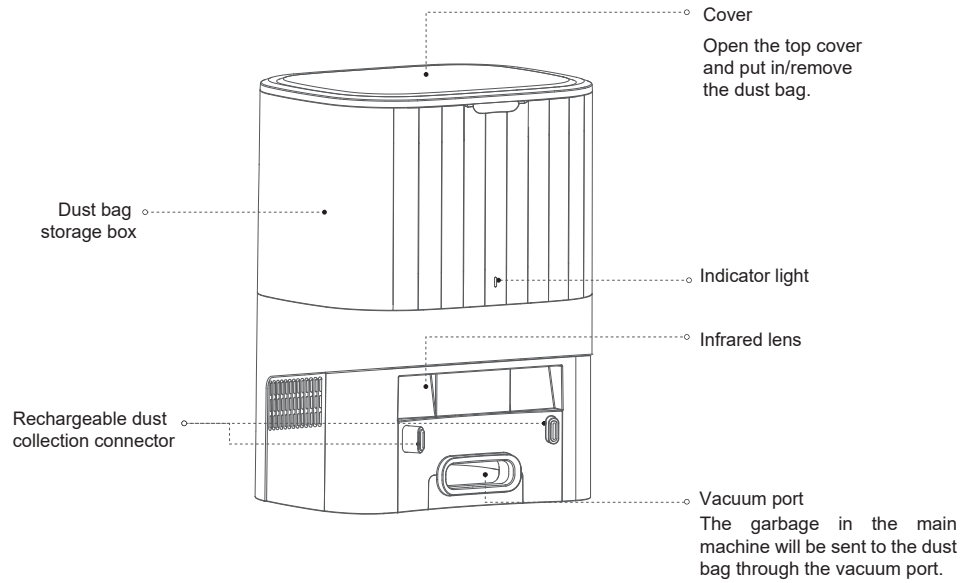
- Short press  key to start/stop automatic charging.
 - **WIFI fast network distribution:** long press the  button for more than 3 seconds, the sweeper will make the first sound of "ding dong", the voice prompt "start fast network distribution", the green light of the power button will flash quickly, and it will enter the fast network configuration state;
 - **APP hotspot distribution network:** long press the  button for more than 6 seconds, the sweeper will make a second "ding dong" sound.
- The voice prompt "Start AP network configuration", the green light of the power button flashes quickly, and the AP hotspot network configuration state is entered;



Indicator description

Machine status	Power button display 	Recharge button display 
Standby	Green light always on	Light off
Charging	Light off	Breathing red light
Pause	Green light always on	Light off
Working	Green light always on	Light off
Recharging	Light off	Red light always on
Abnormal	Breathing red light	Light off
Turning on	Breathing green light	Light off
Turning off	Light off	Light off
Wi-Fi disconnected	Breathing green light	Light off
Wi-Fi connected	Green light always on	Light off
Connect to a Wi-Fi	Breathing green light	Light off

2. Charging dock with dust box



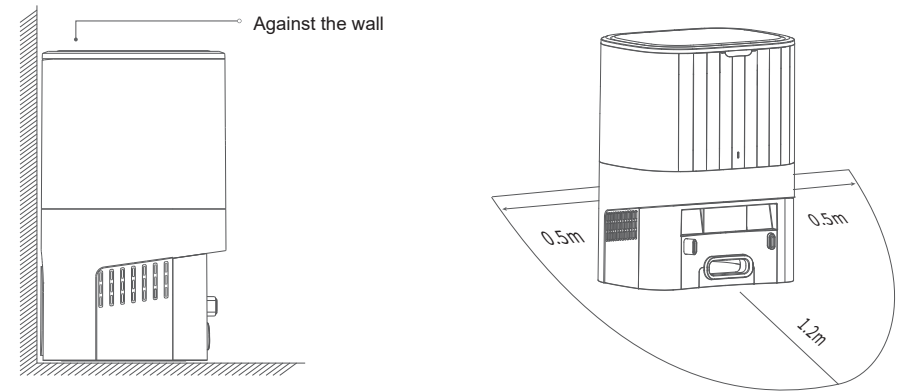
Dust bucket indicator light

Dust bucket status	Indicator light display status
standby	Blue light always on
Dust collecting	Blue light flashing
Dust collection full alarm	Red light always on
Dust bag out alarm	Red light flashing
Charging	Light off

Install charging dock with dust box



Place the charging dock with dust box against the wall on a flat ground, insert the power plug into a socket that meets the requirements, and turn on the power.

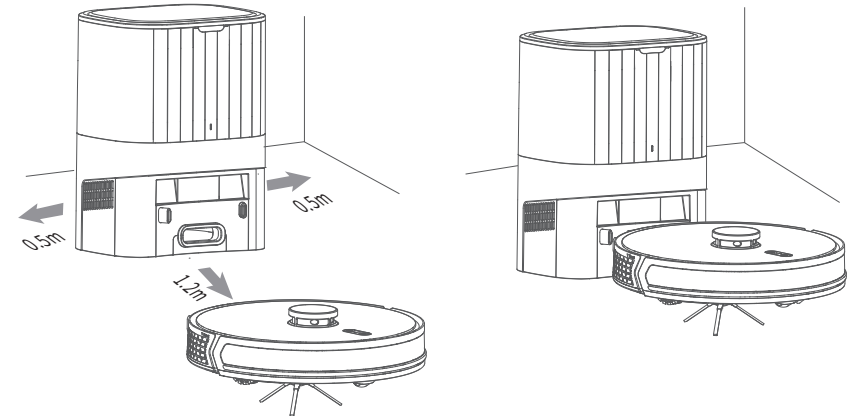
Make sure that there are no obstacles within 1.2 meters in front of the charging dock with dust box and within 0.5 meters on both sides.



How to use




Charge the robot

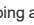
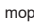
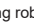
Press and hold  button for 3 seconds to turn on the robot, and then press  button to make the robot automatically recharge. The robot will enter the ready-to-work state when fully charged.




- For initial cleaning task, fully charge the robot.
- Before starting the cleaning task, tidy up the wires and items on the ground to avoid cable entanglement and collision in the cleaning process.
- It is recommended that the robot starts cleaning task from the charging dock with dust box.
- When the power is insufficient during the cleaning process, the robot will automatically return to the the charging dock with dust box. After the power is sufficient, it will automatically return to the interrupted location to continue cleaning.

Power on/Power off/Pause

Press and hold  button for 3 seconds to turn on the machine; the green light of the power indicator flashes for 5 seconds, then the green light is always on, the device broadcasts a voice "Welcome to use our Robot vacuum cleaner, I am glad to serve you", the robot enters the standby state, short press  button, turn on Global cleaning mode; or press and hold  button for 3 seconds to turn on the WIFI network.

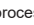
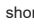
When the sweeping and mopping robot is stationary, press and hold the  button for 3 seconds to turn off the machine, and the power indicator light turns off. During the cleaning process, press  button to enter the recharge state, and press  button to pause the cleaning task.

The robot will enter sleep state if there is no operation for 10 minutes; in the sleep state, short press any button to wake up the machine.

 During charging, the robot cannot be turned off and will not enter sleep state.

Automatic recharge/manual recharge

When the battery is low in the cleaning process, the robot will automatically recharging; or after cleaning, the robot will automatically recharge.

In the cleaning process, short press  button to pause the robot, and short press  button the robot will return to the charging dock with dust box to collect dust and charge.


Set the cleaning mode

The default mode is the whole house cleaning mode; after connecting the APP, you can choose more modes in the APP.

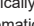
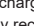
APP connect

Scan the QR code below, or search for "Smart Life" APP in the app store, download and install it. Open the APP, click "Smart Life" in the upper right corner of the home page, and follow the prompts to add devices.



 Due to the upgrade and update of the APP, the actual operation may be slightly different from the above description, please operate according to the current instructions in the APP.

Fill the water tank with water or clean the mop halfway

Short press  button to pause the robot, remove the mopping module, add water or clean the mop, then install the mopping module back, and briefly press  button again to continue cleaning.

Fault condition

- When the robot is abnormal, it will give a voice prompt and the power indicator will flash red light. For solutions, please refer to "Troubleshooting".
- If there is no operation for 10 minutes in the fault state, the robot will automatically enter sleep state

reset device

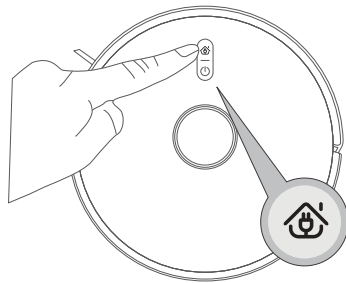
Network distribution method 1: Wi-Fi fast connection

Press and hold the automatic recharge button for more than 3 seconds, the sweeper will make the first sound of "ding dong", the voice prompt "start fast network distribution", and the green light of the power button will flash quickly, entering the fast network configuration state;

Network distribution method 2: hotspot distribution network

When the Wi-Fi quick connection cannot connect to the network, please select "hotspot network"

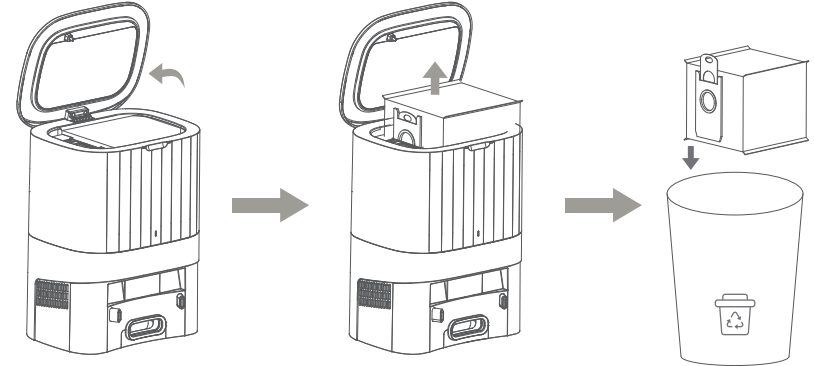
Hotspot distribution network: Press and hold the automatic recharge button for more than 6 seconds, the sweeper will make a second "ding dong" sound, the voice prompt "Start AP distribution network", and the green light of the host power button will flash quickly, entering the AP hotspot distribution network state;



Maintenance

Steps for changing the dust bag

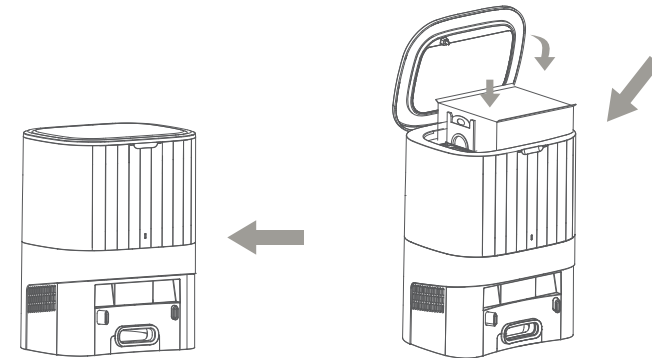
The LED indicator light is always red, indicating that the dust bag is full. At this time, a new dust bag is required. (recommended to be replaced every 4 weeks)



Open the dust station cover


Remove the worn-out dust bag

Throw away the worn-out dust bag and replace it with a new one



Close the top cover

Cover the dust collection station

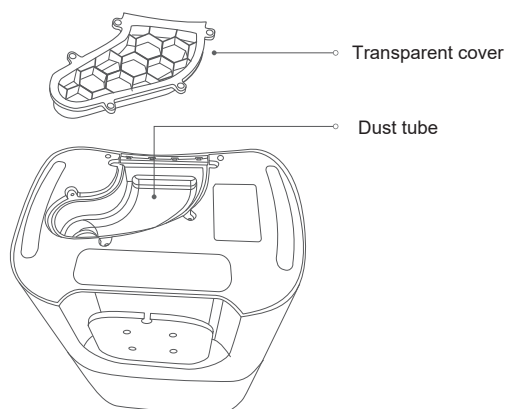
 Please purchase dust bags from our designated sales channels.

Clear dust tube

If the indicator light of the charging dock with dust box is always on red, it is recommended to unplug the power plug, reverse the dust box, and check whether the dust channel is blocked by foreign objects. If the dust tube is blocked, refer to the figure below, remove the transparent cover of the dust tube with a screwdriver, and clean out the foreign objects

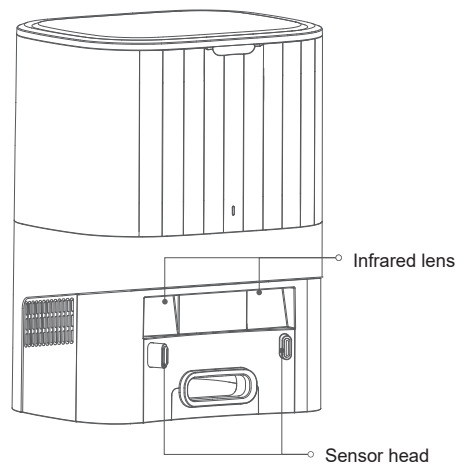
i Violent disassembly is prohibited.

After cleaning the dust tube, put it back in place.



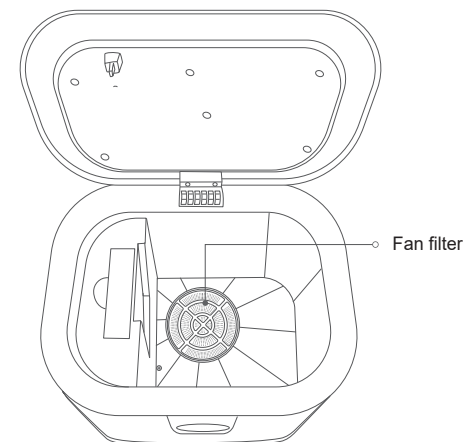
Clean the infrared lens/sensor head

Wipe the infrared lens/sensor head gently with a clean, soft, dry cloth. It is recommended to clean it once a month.



Clean the fan filter

The fan filter is under the dust bag. When the dust accumulates, wipe it with a clean, soft dry cloth. It is recommended to clean it once a month.

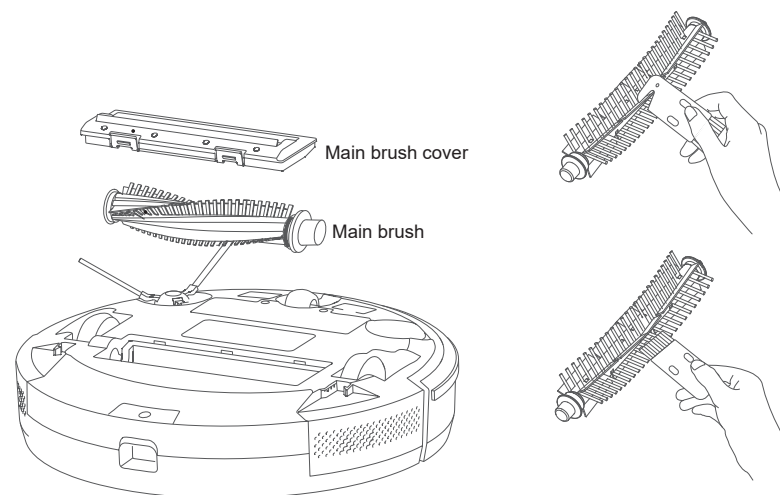


Clean the main brush

The main brush is a consumable item and should be cleaned at least once a week. It is recommended to replace the main brush every 6 or 12 months to ensure the cleaning quality.

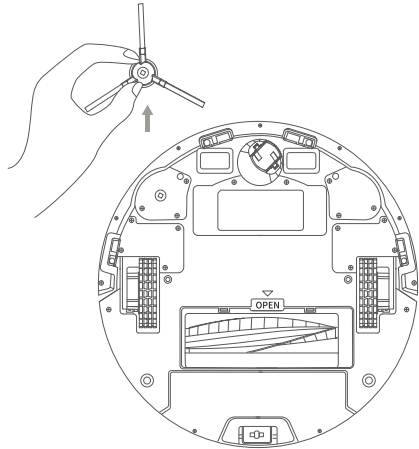
1. Turn over the sweeping and mopping robot, press the buckle on the main brush cover, and remove the main brush cover and main brush.
2. Use a cleaning tool to cut the entangled hair on the main brush, and use the cleaning brush on other end of the cleaning tool to clean the main brush.

i When flipping, avoid collisions to prevent damage to the lidar.



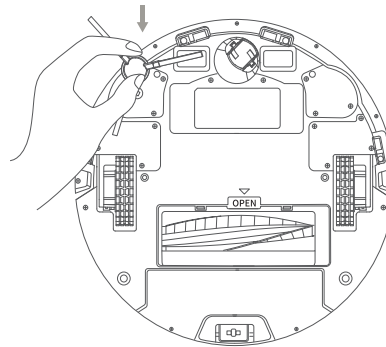
Clean/replace the side brush

Remove the side brush.



Remove the side brush

Install the side brush back in place after cleaning, or install a new side brush.



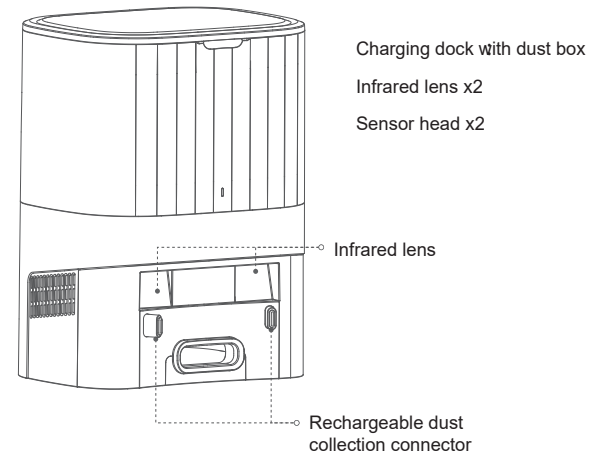
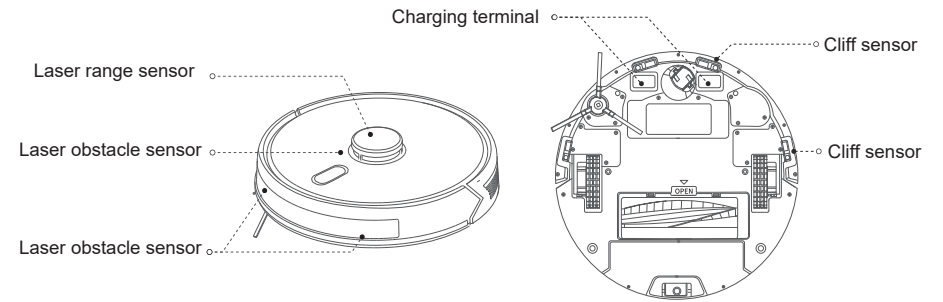
Install the side brush

i The side brush is a consumable item. Please replace it every 3-6 months to ensure the cleaning effect.

Cleaning the sensor

It is recommended to gently wipe each sensor with a clean, soft, dry cloth every week to ensure normal use of the machine.

Robot vacuum cleaner: Cliff sensor X4 Infrared sensor X3
Electrode X2 Wall sensor X1



Battery Maintenance

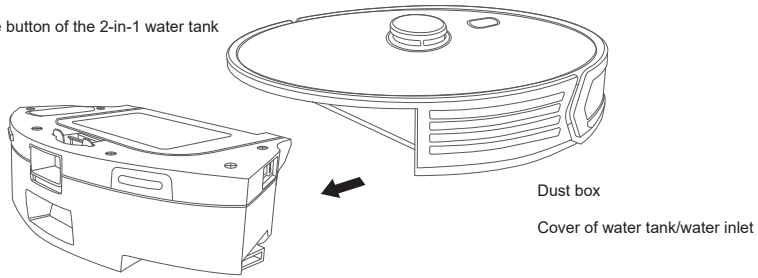
1. The robot has a built-in high-performance rechargeable lithium-ion battery pack. To maintain battery performance, keep the battery charged at all times.
2. If the machine is not used for a long time, please turn it off and store it, and charge the battery at least once every three months to prevent battery damage due to overdischarge.

Clean up 2-in-1 water tank

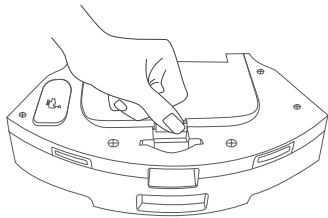
Press and hold the release button of the 2-in-1 water tank, and simultaneously pull it out.

Buckle of the dust box

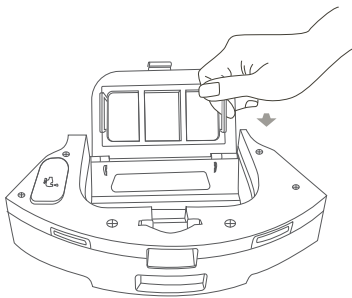
Release button of the 2-in-1 water tank



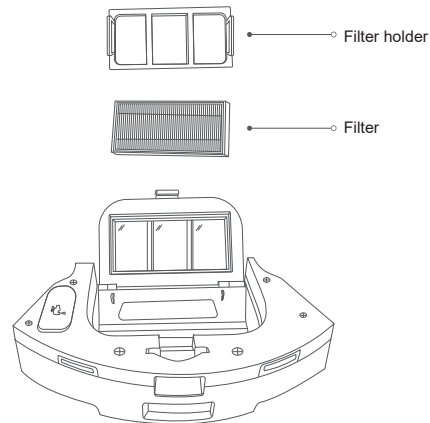
Press the buckle of the dust box to open the dust box.



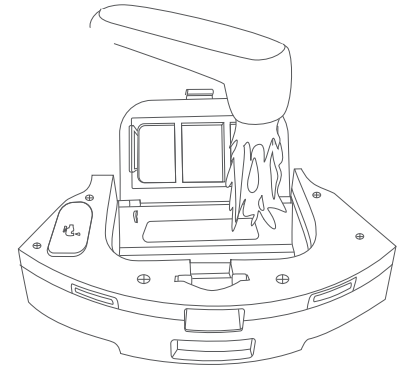
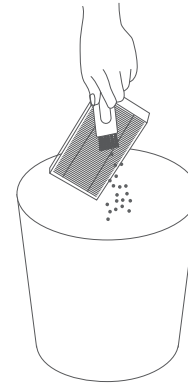
Remove the filter holder.



Remove the filter

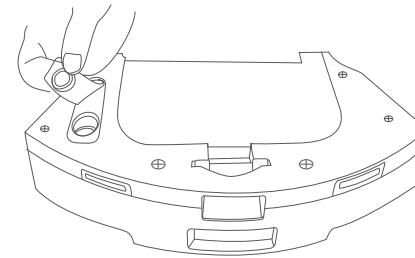


Use a cleaning brush to remove debris from the filter and filter holder. Clean the dust box with running water.

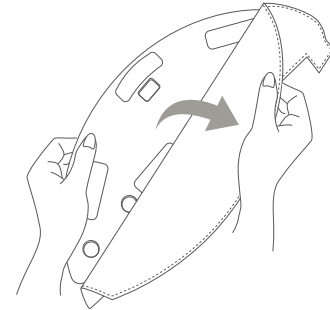


i The filter is a consumable item. It is recommended to replace it once every 3-6 months. Please buy the new filter from our official channels.

Open the cover of the water tank and add water.



Turn the 2-in-1 water tank over and remove the mop for replacement or cleaning.



i Purified water is recommended.

i If the mop is too dirty, it will affect the mopping quality, please clean it in time.
 · Be sure to remove the mop for cleaning, and install it after drying. Do not clean it when it is installed on the 2-in-1 water tank, otherwise the dirty water will clog the filter element.
 · The mop is a consumable item. Please replace it once every 3 or 6 weeks.

Troubleshooting

When an operation exception occurs, the power indicator will flash red light quickly, and the robot will issue a voice prompt for some of the faults. Please refer to the table below to solve the problem.

Voice prompts/ fault phenomenon	Possible reason	Solution
Please check if the radar is stuck	Lidar is blocked or stuck	Remove shielding or move the robot to an open position and restart
Please check if the bumper is stuck	Bumper sensor is stuck	Clean up foreign objects around the bumper, or remove the main unit check if the radar is stuck
Please wipe the cliff sensor Startup out of danger zone	The cliff sensor is triggered after starting the robot	Please wipe the cliff sensor and move to a flat open place to start
Please check if the main brush is stuck	Main brush is stuck	Clean up the main brush or remove the main unit
Please check if the side brush is stuck	Side brush is stuck	Clean the side brush, or remove the main unit
Please check if the main wheel is stuck	Main wheel is stuck	Clean the main wheel, or remove the main unit
Install the water tank and start again	The 2-in-1 water tank is removed	Install the 2-in-1-water tank and filter back in place
Low battery, start recharging	Low battery during cleaning process	Low battery, please charge before use
Fan abnormal	Fan abnormal	Please turn off the robot and try restart again
Please wipe the wall sensor on the right side	Wall sensor error	Please wipe the wall sensor
Radar cover is squeezed	Radar cover is stuck	Lidar is pressed or stuck, please move to a new location to start
Battery damaged or not installed	Battery error during charging	The battery temperature is too high or too low, please wait until the battery temperature is normal before use
Can not turn on the machine	Low battery or abnormal temperature	Low battery, please charge before use; if the temperature is too low (below 0°C) or too high (above 50°C), please lower the temperature
Can't charge	1. The charging dock is not powered 2. The charging sensor head is dirty 3. The charging sensor head is in poor contact	1. Please confirm that the charging dock is connected to the power supply. 2. Regularly clean the charging electrode of the robot and the sensor head of the charging dock. 3. Please eliminate the poor contact caused by the side brush or other foreign objects. You can try to manually relocate the robot
Recharging failed, can not find the charging dock	The charging dock is blocked or is too far away	Please put the charging dock in an open area; please put the robot near the charging dock and try again
Abnormal operation	Main brush/side brush is entangled by clogging objects	Please turn off the machine and clear the clogging objects

Voice prompts/ fault phenomenon	Possible reason	Solution
Decreased cleaning ability or cause the dust to fall	The dust box is full or the filter is clogged or the main brush is entangled	Please clean the dust box, filter screen and main brush in time
Scheduled cleaning does not work	Low battery	Please keep the remaining power more than 15% before starting the scheduled cleaning, and keep the battery charged all the time
Unable to connect to APP	Wi-Fi network error or Wi-Fi password error or APP error	Please make sure the robot is in a good Wi-Fi signal area; re-enter the Wi-Fi password or reset the robot; update the APP and try again
The mopping module does not produce water or the water output is low	The water tank is short of water or the mop is too dirty or the mop holder is not in place	Please check whether there is enough water in the water tank; please clean the mop; please install the mop correctly according to the instructions; check whether the water outlet is blocked by clogging objects, and pay attention to adding clean water without impurities
The mopping module produces too much water	The water tank cover is not in place, and the outlet water quantity is adjusted to the maximum level	Please confirm that the water tank cover is installed in place; adjust the appropriate amount of water in the APP; fill the water tank and check if there is any leakage issue
Insufficient battery in the cleaning process, but not continuing on the break-point after recharging	The main unit is in Do Not Disturb mode or manually recharge when finish cleaning	Please confirm in the APP that the robot is not in Do Not Disturb mode, as in this mode it will not continue the cleaning task; manually recharge or manually put the robot back to the charging dock, the machine will not continue the cleaning task. Check if the APP breakpoint resume scanning is enabled
Cannot return to the charging dock in the fixed-point cleaning mode or when the robot has been relocated	Robot creates the map again or moves too far	The robot will create the map after fixed-point cleaning or long-distance movement. If the charging dock is far away, it may not be able to recharge automatically. Please manually put the robot into the charging dock for charging.

When an abnormality occurs during the operation of the dust collection and charging pile, the corresponding icon on the display screen of the dust collection and charging pile will light up, and the APP will also prompt you. Please refer to the following table to try to solve it.

Voice prompts/ fault phenomenon	Possible reason	Solution
Dust collecting failed	Dust bag is not installed properly	Please install the dust bag in place
Dust bag is full or clogged	The Fan starts overheat protection or failure Dust bag is full or blocked	Replace the dust bag, and clean up the charging dock with dust box(suction port, dust tube, fan filter, etc.) in time

Warranty

The after-sales service of this product is strictly in accordance with the "Consumer Rights Protection Law of the People's Republic of China" and the "Product Quality Law of the People's Republic of China" to implement after-sales services. The service contents are as follows:

Non-Warranty Claim

The following cases are not covered by the free warranty, but maintenance services are provided, and the corresponding accessories and labor costs are charged:

1. Unauthorized maintenance, misuse, collision, neglect, abuse, accident, alteration, abnormal use of non-product accessories, or tearing, altering labels, anti-counterfeiting marks;
2. The machine has exceeded the free warranty period;
3. Damage caused by force majeure such as natural disasters;
4. Not a performance failure.
5. Damage caused by consumers due to personal reasons;

Warranty information

Type	Warranty information	Period
Robot vacuum cleaner	Parts of the robot	1 Year
Accessories	Charging dock with dust box	1 Year

The main brush, side brush, main brush cover, filter screen, mop holder, cleaning tool, disposable mop and disposable dust bag are consumables provided with the product, and there is no warranty period.

To ensure the safety of the product during transportation, it is necessary to use the packing box. It is recommended that you keep the packing box for at least 30 days from the date of receipt;

This product is only sold in China (excluding Hong Kong, Macao and Taiwan), so the after-sales service of this product is only available in China (excluding Hong Kong, Macao and Taiwan).

This warranty is only applicable to China (excluding Hong Kong, Macao and Taiwan).

Failure information of product performance

Name	Performance Failure
Robot vacuum cleaner	The robot can not startup under normal use
	The robot can not be charged under normal use
	The brushes can not work under normal use
	The wheels can not work under normal use
	The functions listed in the manual are invalid

Hazardous substances contained in this product

Component Name	Hazardous substance					
	Lead (Pb)	Mercury (Hg)	Cadmium (Cd)	Chromium VI (Cr(VI))	Polybrominated biphenyls (PBB)	Polybrominated diphenyl ethers (PBDE)
Outer covering	○	○	○	○	○	○
Circuit block	X	○	○	○	○	○
Motor	X	○	○	○	○	○
Battery	○	○	○	○	○	○
Accessory	X	○	○	○	○	○

FCC Warning

This device complies with part 15 of the FCC Rules. Operation is subject to the following two conditions: (1) This device may not cause harmful interference, and (2) this device must accept any interference received, including interference that may cause undesired operation.

Any Changes or modifications not expressly approved by the party responsible for compliance could void the user's authority to operate the equipment.

Note: This equipment has been tested and found to comply with the limits for a Class B digital device, pursuant to part 15 of the FCC Rules. These limits are designed to provide reasonable protection against harmful interference in a residential installation. This equipment generates uses and can radiate radio frequency energy and, if not installed and used in accordance with the instructions, may cause harmful interference to radio communications. However, there is no guarantee that interference will not occur in a particular installation. If this equipment does cause harmful interference to radio or television reception, which can be determined by turning the equipment off and on, the user is encouraged to try to correct the interference by one or more of the following measures:

- Reorient or relocate the receiving antenna.
- Increase the separation between the equipment and receiver.
- Connect the equipment into an outlet on a circuit different from that to which the receiver is connected.
- Consult the dealer or an experienced radio/TV technician for help.

RF warning for Mobile device:

This equipment complies with FCC radiation exposure limits set forth for an uncontrolled environment. This equipment should be installed and operated with minimum distance 20cm between the radiator & your body.