

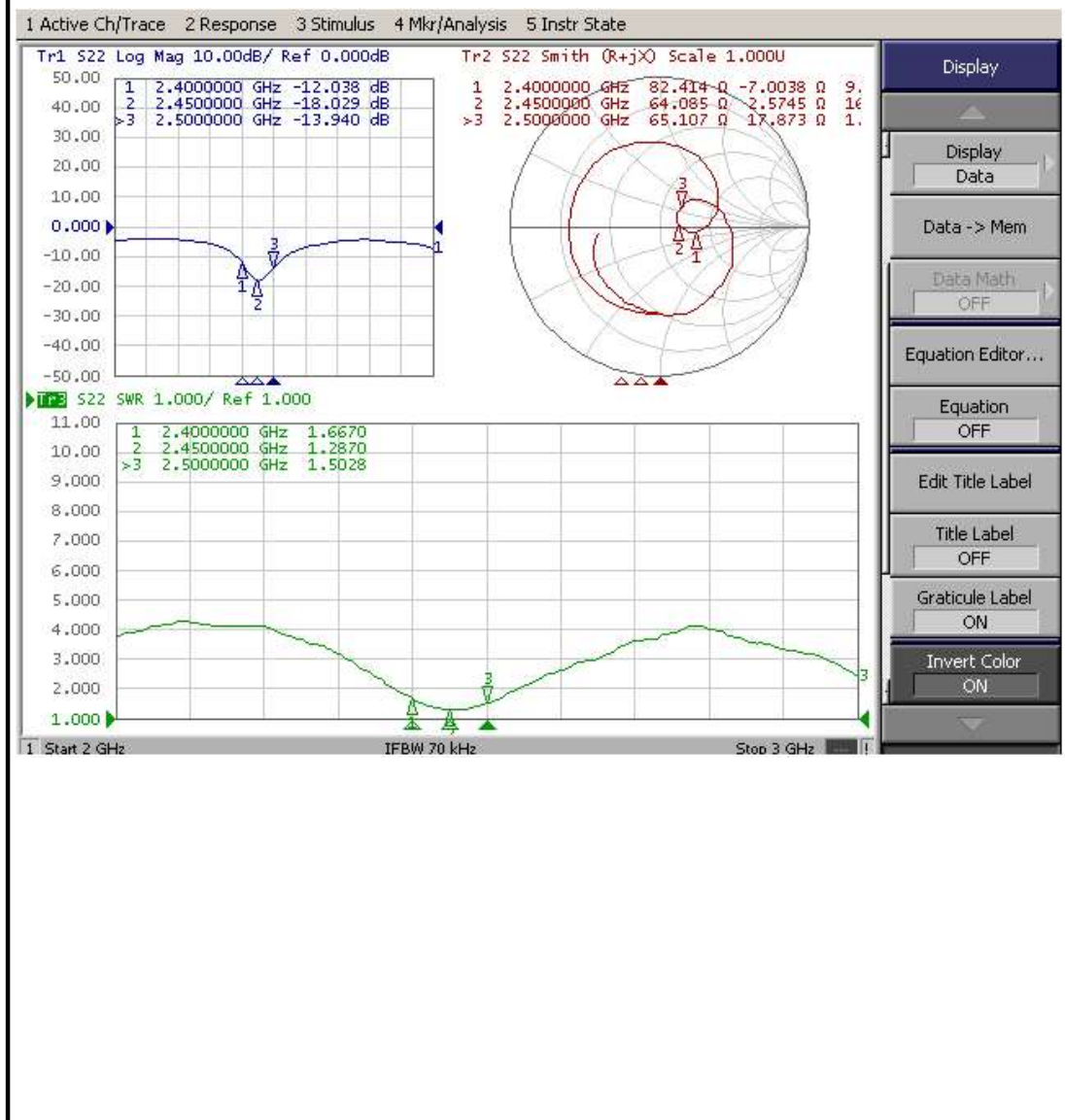


天线电气特性测试报告

Antenna Electrical Characteristic Test Report

文件编号:HJ-QR-Q-22 Rev:A0

产品料号 Part Number:	3N0102LG-009	测试项目 Item	规格 Spec	结果判定 Judge
产品名称 Part Name:	内置天线,1.13灰色银锡线,P1端焊接铜管+铜柱,P2端打一代端子,裁线245mm	VSWR 驻波比	≤2.0	pass
测试设备 Test Equipment	网络分析仪	Characteristic impedance 特性阻抗	50Ω	pass
数量 Quantity	5pcs	Directivity 增益	50±8 dBi	
测试日期 Test Date	2022/05/11			





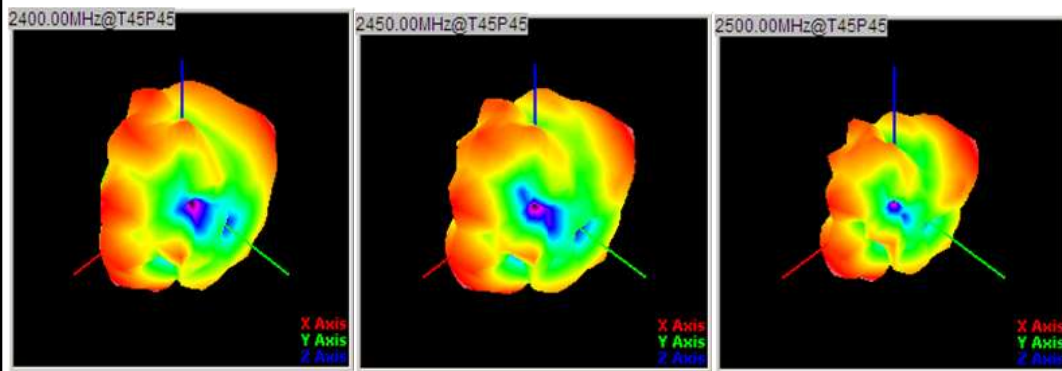
天线电气特性测试报告

Antenna Electrical Characteristic Test Report

文件编号:HJ-QR-Q-22 Rev:A0

产品料号 Part Number:	3N0102LG-009	测试项目 Item	规格 Spec	结果判定 Judge
产品名称 Part Name:	内置天线,1.13灰色银锡线,P1端焊接铜管+铜柱,P2端打一代端子,裁线=245mm	VSWR 驻波比	≤2.0	pass
测试设备 Test Equipment	暗室darkroom	Characteristic impedance 特性阻抗	50Ω	pass
数量 Quantity	5pcs	Directivity 增益	5.08 dBi	
测试日期 Test Date	2022/5/11			

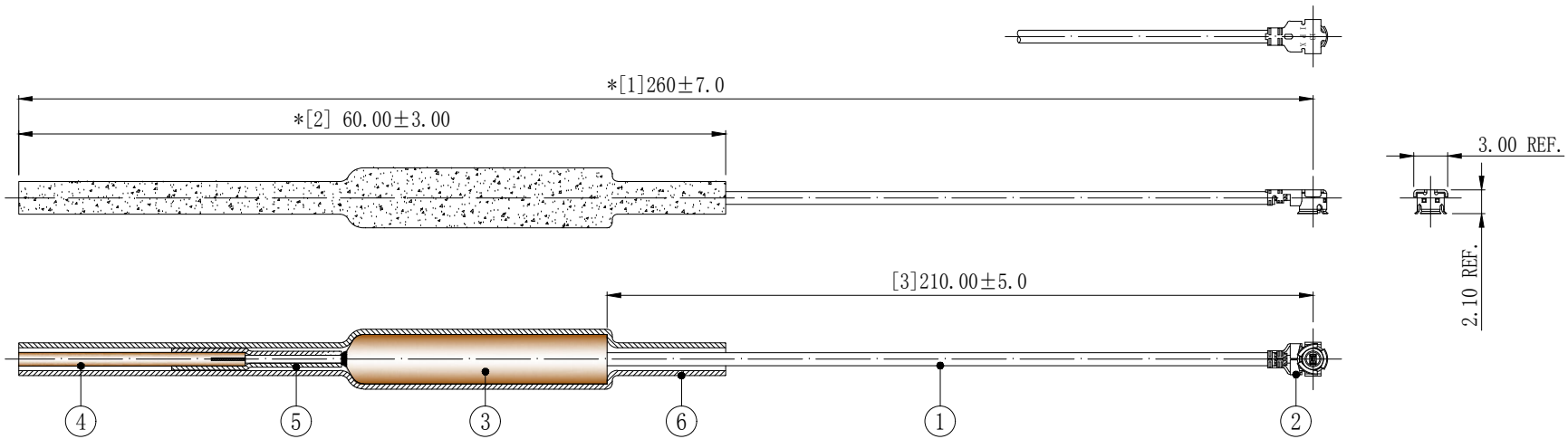
FETUKEJI											
Frequency ID	1	2	3	4	5	6	7	8	9	10	11
Frequency (MHz)	2400.0	2410.0	2420.0	2430.0	2440.0	2450.0	2460.0	2470.0	2480.0	2490.0	2500.0
Point Values											
Ant. Port Input Pwr. (dBm)	0.00	0.00	0.00	0.00	0.00	0.00	0.00	0.00	0.00	0.00	0.00
Tot. Rad. Pwr. (dBm)	-2.28	-2.15	-2.26	-2.13	-2.22	-2.33	-2.24	-2.13	-2.36	-2.39	-2.33
Peak EIRP (dBm)	4.59	4.70	4.59	4.81	4.86	4.81	4.95	5.08	4.84	4.87	5.04
Directivity (dBi)	6.87	6.85	6.85	6.94	7.08	7.14	7.19	7.20	7.20	7.26	7.37
Efficiency (dB)	-2.28	-2.15	-2.26	-2.13	-2.22	-2.33	-2.24	-2.13	-2.36	-2.39	-2.33
Efficiency (%)	59.20	60.90	59.50	61.30	60.00	58.50	59.70	61.30	58.00	57.60	58.40
Gain (dBi)	4.59	4.70	4.59	4.81	4.86	4.81	4.95	5.08	4.84	4.87	5.04
NHPRP ±Pi/4 (dBm)	-4.17	-3.98	-4.04	-3.87	-3.93	-4.02	-3.91	-3.79	-4.01	-4.03	-3.97
NHPRP ±Pi/6 (dBm)	-5.92	-5.72	-5.79	-5.62	-5.67	-5.75	-5.63	-5.51	-5.74	-5.78	-5.73
NHPRP ±Pi/8 (dBm)	-7.37	-7.19	-7.29	-7.14	-7.20	-7.29	-7.16	-7.04	-7.29	-7.34	-7.31
Upper Hem. PRP (dBm)	-5.64	-5.54	-5.67	-5.54	-5.64	-5.75	-5.67	-5.57	-5.82	-5.88	-5.86
Lower Hem. PRP (dBm)	-4.97	-4.82	-4.90	-4.77	-4.85	-4.97	-4.87	-4.74	-4.97	-4.97	-4.88
Upper Hem. PRP (%)	27.32	27.93	27.11	27.90	27.31	26.61	27.11	27.72	26.18	25.82	25.92
Lower Hem. PRP (%)	31.86	32.99	32.36	33.38	32.72	31.87	32.60	33.54	31.86	31.81	32.51



审核Checker: 何修明

测试者Tester: S.He

6	7	8
REVISION	DESCRIPTION	DATE
A0	首次发行	22.05.11
		DRAFTER
		Xiu He



Technical requirements:
 1 Electrical characteristics: characteristic impedance :50; Applicable frequency range :2.4GHz-2.5GHz.
 Test method: 100% test with vector network analyzer (2-3G waveform comparison).
 2 Dimensional inspection: [*] for FAI inspection items; * As a key test item; ■ For CPK control projects.
 3 Extraction force: minimum 1.30KgF-@MHF-1-plug.
 Inspection method: Along the central axis of the cable, at the speed of 25±3 mm/min, the vertical 1.30kg weight lifted from the table is qualified, and the reverse is not qualified.
 3 Appearance requirements: The surface of the product shall not be scratched, damaged and dirty; The color of the coating is bright and uniform, and there shall be no oxidation.
 Inspection method: visual inspection.
 4 Packing specification: 50PCS/ tie, 10pcs/bag, i.e. 500PCS/ bag.
 5 Environmental requirements: the products and the materials used must meet the requirements of RoHS

6	2TA040BK1-060	Heat shrink tube, single wall common,4.0*L60,black	1	---
5	2TA015BK1-015	Heat shrink tube, single wall common,1.5*L15,black	1	---
4	2YG022	Signal post,1.20*L20.00,brass, greased surface	1	---
3	2YG013	Ground tube, cored solder type,OD4.4*L23*ID1.3.,copper-tinned	1	---
2	2LM10P113210	MHF-1 PLUG FOR OD1.13mm CABLE	1	---
1	2C5M11311LG1	Micro coaxial cable,OD1.13mm, light grey silver tin wire	1	依裁线图裁线
No.	PART NUMBER	PART NAME & DESCRIPTION	Q' TY	REMARKS

GENERAL TOLERANCE:
 LINEAR:
 X ±0.20
 X.X ±0.15
 X.XX ±0.05
 X.XXX ±0.01
 ANGLE:
 X° ±4.00°
 X.X° ±3.00°
 X.XX° ±2.00°
 X.XXX° ±1.00°

FNC 深圳市阪奈川电子有限公司
 ShenZhen F.N.C Electronics Co.,Ltd

FILE NAME: 产品图 TITLE: 射频天线组件
 ENG/DATE: Xiu He/22.05.11 内置天线, 1.13浅灰银锡线, P1端焊接铜管+铜柱, P2端打一代端子, 裁线长245mm, 总长260mm (RF2112022)
 CHE/DATE: P/N: 3N0102LG-009
 APP/DATE: UNIT: mm SCALE: 1:1 REVISION: A0 SHEET: 1/1

COMPLIANCE WITH THE REQUIREMENT: ■RoHS; □HF; □SONY SS-00259; □OTHERS //
 *NO USING ESTRICED AND BANNED SUBSTANCE