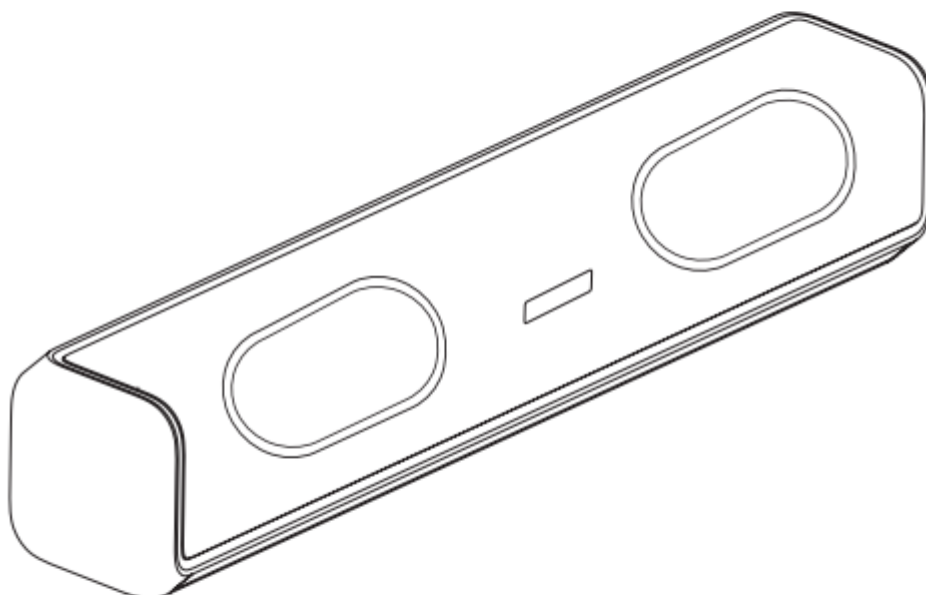


Manual del usuario del producto

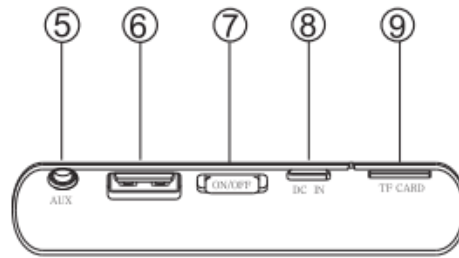
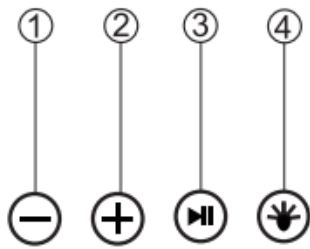


ALTAINALÁMBRICO

KB-BC80

FCC ID:2BEF7-KB-BC80

Product User Manual



Product overview

- Prev/Volume-Button
- Next/Volume-Button +
- Play, pause, phone/key search station
- Ambient light
- 3.5 mm audio/auxiliary input line
- USB
- On/Off switch
- Charging port
- TF card or Micro/Mini SD card

Connection method

- Turn on the speaker
- Turn on the speaker, the speaker will automatically enter wireless mode.
- Connecting to mobile devices
- Activate the wireless option on the mobile device, select (model name on the mobile device, the speaker will make a beep sound after successful connection.
- For future use, just keep the wireless on the mobile device on, it can be connected automatically.
- Further instructions
- Connect to the new mobile device
- If the current device with the speaker is connected, you need to disconnect the wireless of the current device, then use the new mobile device to connect the speaker.

Instructions for use

- On/Off button
- Press "ON" to turn on the speaker. Press "OFF" to turn off the speaker.
- Prev/Volume-Button
- When playing or pausing in Wireless /TF card /USB mode, briefly press to previous Music.
- When in FM mode, short press to previous radio station.
- In any mode, long press to reduce volume, there will be "beep" sound signal at minimum volume.
- Next/Volume + button
- When playing or pausing in Wireless/TF card/USB mode, short press to Next Music.
- When in FM mode, press on the next radio station. In any mode, long press to increase the

volume, there will be a warning "beep" sound at maximum volume.

Play, pause, phone, key search station

When in Wireless,TF card,USB Music play Back mode, Short Press topause, Short Press again to play.

When in FM mode, Short prees to auto search, press again to stop searching the radio station.

In wireless mode, when incoming calls, Short press to answer the phone.

Press again to hang up the phone, press again to reject the phone. In cordless mode, when there is no call, long press to redial, back to the last phone number.

Mode switch

Press this button to switch between wireless, TF card, USB, Radio mode. Line-in (in line-in mode, wireless calls will not be valid). When without TF

Press this button only to switch between wireless mode and FM mode. Ambient light

Short press for LED flashing light option, long press to turn off the LED light.

Technical parameter

Speaker output :52mm(4ohm,THD < 1%)

Speaker :5W*2

Version :V5.0

Frequency response range :90Hz-20KHz

Signal noise figure: > 80dB

Battery/voltaic capacity: 1800mAh /3.7V

Battery charging time: approx. 2 hours

Working time :4-6 hours

USB power input :5V 1A

Speaker size :400*67*67

FCC STATEMENT

This device complies with Part 15 of the FCC Rules. Operation is subject to the following two conditions:

- (1) This device may not cause harmful interference
- (2) This device must accept any interference received, including interference that may cause undesired operation.

This equipment has been tested and found to comply with the limits for a Class B digital device, pursuant to part 15 of the FCC Rules. These limits are designed to provide reasonable protection against harmful interference in a residential installation. This equipment generates, uses and can radiate radio frequency energy and, if not installed and used in accordance with the instructions, may cause harmful interference to radio communications. However, there is no guarantee that interference will not occur in a particular installation. If this equipment does cause harmful interference to radio or television reception, which can be determined by turning the equipment off and on, the user is encouraged to try to correct the interference by one or more of the following measures:

- Reorient or relocate the receiving antenna.
- Increase the separation between the equipment and receiver.
- Connect the equipment into an outlet on a circuit different from that to which the receiver is connected.

—Consult the dealer or an experienced radio/ TV technician for help.

FCC Radiation Exposure Statement:

This equipment complies with FCC radiation exposure limits set forth for an uncontrolled environment. In order to avoid the possibility of exceeding the FCC radio frequency exposure limits, Human proximity to the antenna shall not be less than 20cm(8 inches)during normal operation.

That changes or modifications not expressly approved by the party responsible for compliance could void the user's authority to operate the equipment.