

# Antenna Specification

## 1. General Information

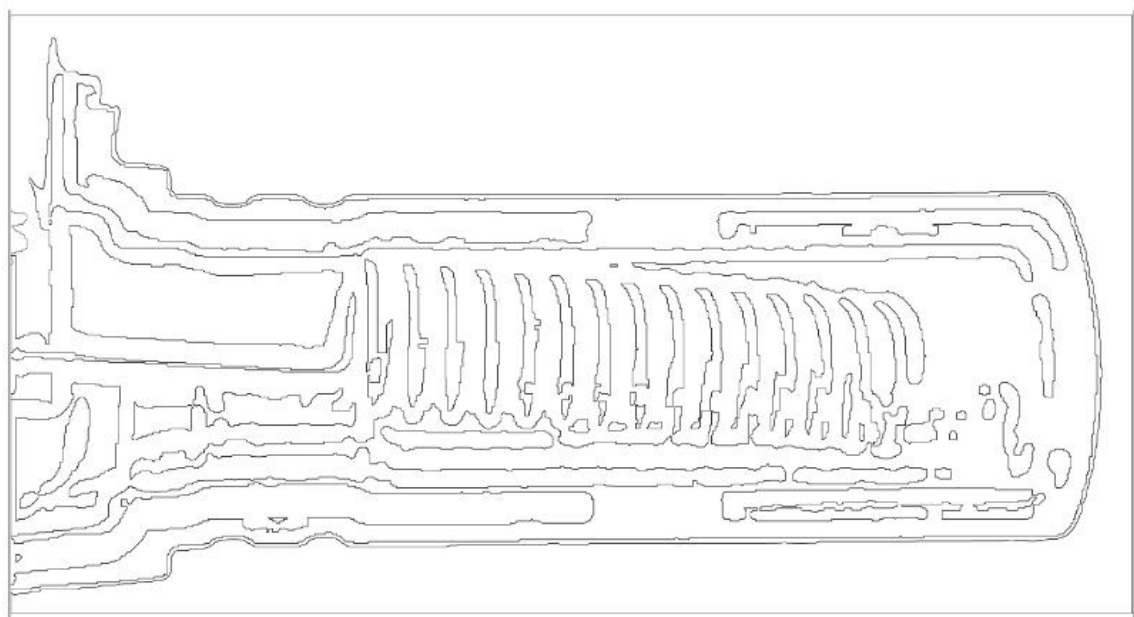
Model Name: E36

Manufacturer: Quanzhou Hengluda Electronic Technology Co.,Ltd

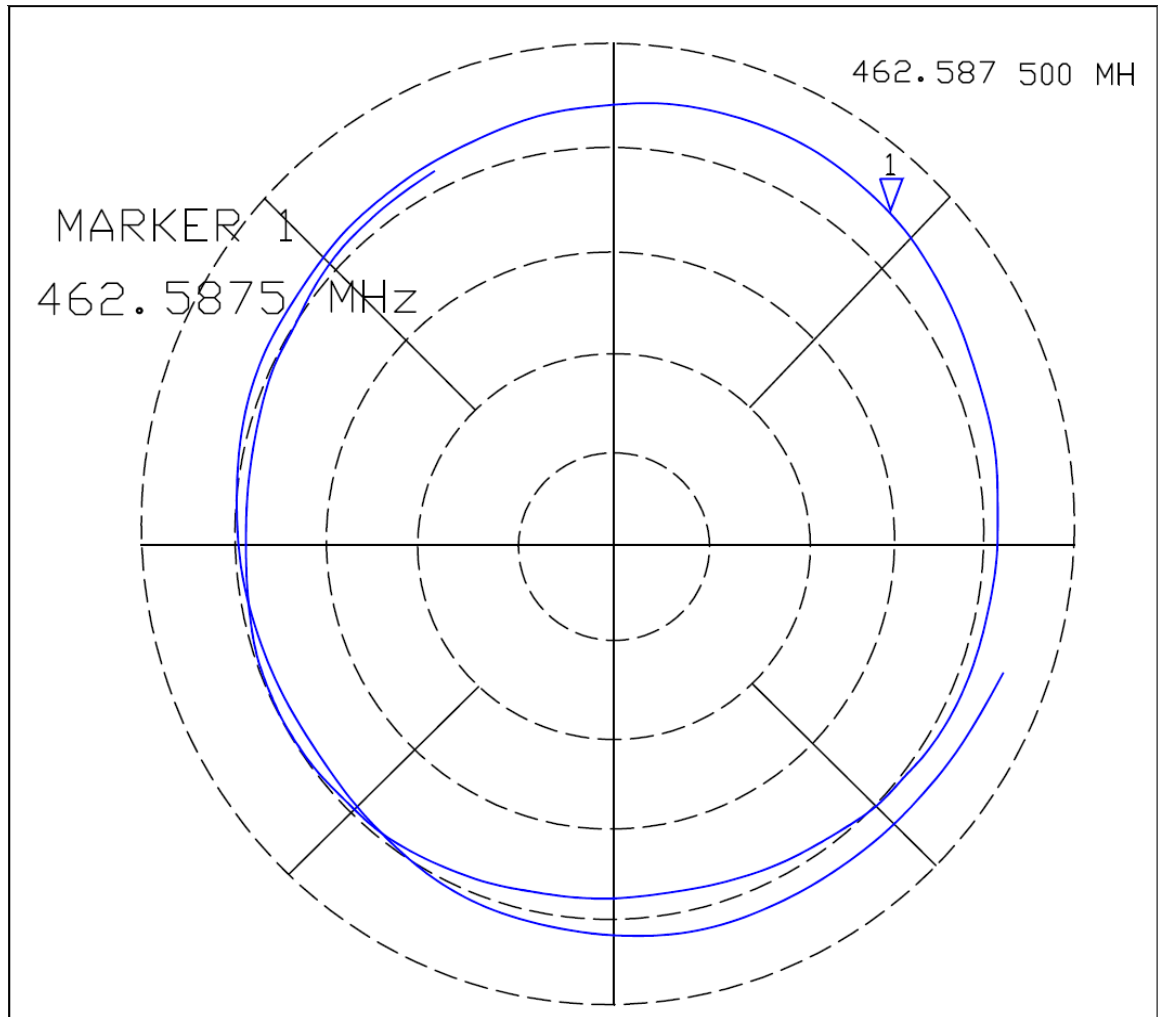
Address: No.2118 , Liucheng Street, Jiangbei Avenue, Nan'an Quanzhou, Fujian Province

电气参数 ELECTRICAL SPECIFICATIONS	机械特性 MECHANICAL SPECIFICATIONS
频率范围 Frequency Range	长度 Height
462-468Mhz	约 40mm
输入阻抗 Impedance	Polarization
50Ω	辐射方向
驻波比 VSWR	全向Omni
<1.5 (435Mhz)	Radiation
增益 Gain	功率容量
1.8dBi	5w
极化方式 Polarization	Maximun Power Input-watts
垂直 Vertical	

## 2 .Antenna Picture



### 3. Antenna Pattern



462.5875Mhz

