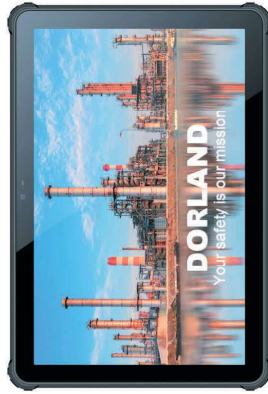


Dorland Industrial Intrinsically Safe Tablet Pad

Quick Guide



Ex Tablet09

4G Full Frequency



Thanks for Using Dorland Industrial Intrinsically Safe PAD.

Safety Instructions

Ordinary pad are forbidden in explosion hazardous areas where explosions may happen. Such areas include: fuel areas (such as below deck of a ship, fuel or chemical products transportation and storage facilities), locations where the air containing chemicals or particles (such as granule, dust or metal powders) such as gas stations, oil storage tanks. Developed by Beijing Dorland System Control Technology Co., LTD., the industrial intrinsically safe tablet Pad Ex Tablet09 adopts advanced technology of Germany with intrinsically safe circuit, has been tested and certified by China explosion-proof certification body and can meet the requirement of GB3836.1-2010 "explosive atmospheres - Part 1: Equipment-General requirements" and GB3836.2-2010 "explosive atmospheres - Part 4: equipment protection by intrinsic safety 'i' ". It is suitable for Zone 1 and Zone 2 explosion hazardous areas.

Basic parameters

Marking: Ex Ib IIC T4 Gb / Ex Ib IIIC T130°C Db
 Certificate NO.: CCR1 23.2102X
 IP Grade: IP68

Safety Warning

Safety performance of industrial safety explosion-proof pad Ex Tablet09 can be guaranteed only in strict accordance with the instructions in this section. Please read the instruction carefully before using. If you have any questions, please contact the manufacturer immediately.

Safety Rules

Safety performance of Industrial Intrinsically Safe PAD Ex Tablet09 base the users obey the following rules.

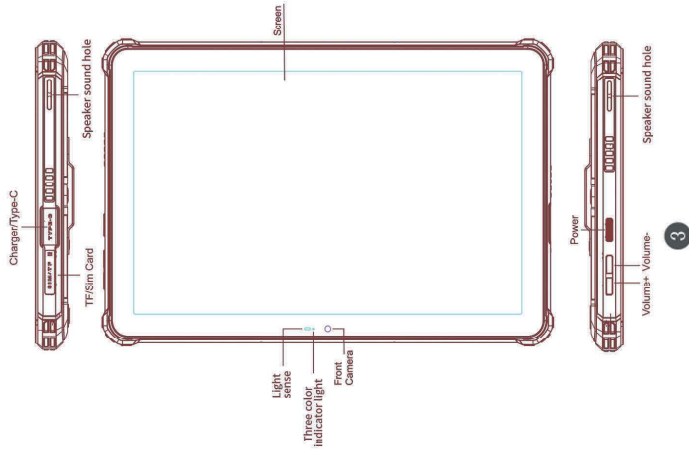
- The battery for Ex Tablet09 is made by the manufacturer specializing in the production of batteries. Only the original battery meets the intrinsically safe requirements. Any other non-original batteries will result in the loss of phone explosion-proof performance. Please make sure to use the original battery. For battery replacement, please contact Beijing Dorland System Control Technology Co., LTD.. The battery for Ex Tablet09 is Ex Battery 069 20000mAh explosion-proof polymer battery.
- Please use the original charger when recharge battery, and make sure in the safe areas. The maximum charge voltage is 4.4V.
- Don't replace battery for Ex Tablet09 in explosion hazardous areas.
- It can not be used in explosion danger zone 0.
- Don't use headset, data cable plug devices in the explosion hazardous areas.
- Don't use the flash function in explosion hazardous areas.
- Don't use the vibration function of the phone in explosion hazard areas.
- Please keep away the high-temperature region when using Ex Tablet09.

Failure and damage processing

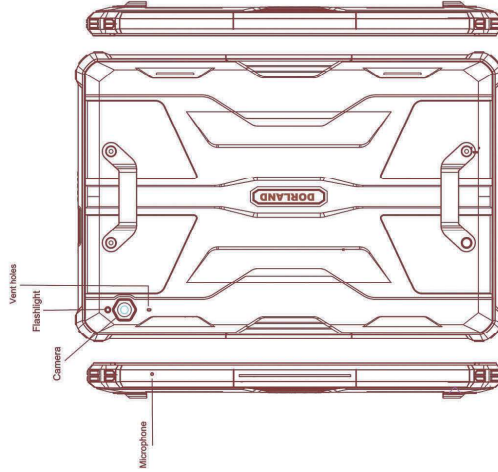
If Ex Tablet09 has lost its safety performance, please stop using in explosion hazardous areas, and ship the failure phones back to the manufacturer for testing. Situations that may cause failure of Ex Tablet09 explosion proof performance include the following ones:

- The pad shell is damaged.
- Storage place does not meet the storage conditions.
- Damaged during transport.
- Explosion-Proof mark is unrecognized.
- Other functions fail.

Product view

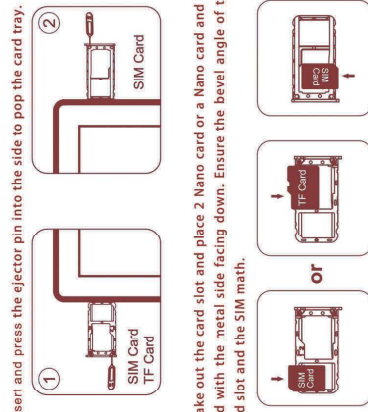


Product view



Installing SIM and memory cards

To make sure your pad is able to make calls, insert the SIM card in the following order.



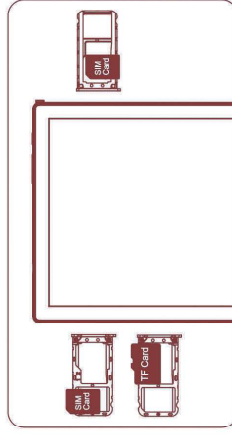
Caution

Only Nano SIM card or MicroSD card is supported by this device. Don't modify or alter your SIM card.

When inserting a card into the card slot, pay attention to the direction. Otherwise it will easily lead to the phone being unusable.

Do not splash water to the phones when SIM card slot, headphone jack or USB slot is open.

With the pad facing up, insert the cardholder into the pad in the direction of the arrow.



Browser

- Open browser
- On the home screen, "browser"
 - Touch the input field at the top of the screen to enter the website address
 - Click the icon

Browser options

- When browsing a web page, you can scroll to see the rest of the page.
- Touch the icon and select "save to bookmark" to add the current page as a bookmark.
 - Touch the icon and select "bookmarks / history" to open a saved bookmark or a viewed page.
 - Touch the icon and select "share page" to share the website with others.

1

2

3

4

5

6

Telephone

Direct call

1. On the home screen, touch the phone icon to display the dialing keyboard.
2. Touch the number button to enter the phone number, and then click the icon to make a call.

Make a call from a contact

In the "phone" icon, touch "contact" to select the person to call, and tap the name to make a call

Note:

If you have inserted two SIM cards into the phone, two call icons will be displayed on the dialing interface. Select Sim1 or sim2 to make a call.

Reject a call by sending a message

When it is not convenient for you to answer a call, you can send a message to refuse to answer it. 1. In the call interface, drag the information icon

2. Click one of the senders and the phone will be cut off.

Information

Send new message

Touch the "message" icon, enter the recipient's name or phone number, type in the text, and click send.

Receive new message

When a new message appears, an icon will appear in the notification bar to notify you. Slide down the status bar and click notification to read it. Or go to message and read the new message directly.

7

Reset

Restore factory settings

You have to be careful with this step, because resetting the product will remove all assets Material, including downloaded and installed applications. Reset will restore the product To the initial state of the factory.

On the main menu interface, click Settings > system > Reset Options > clear all data According to (restore factory settings) > clear all data > the phone will automatically shut down and reset

Enlightenment



11

Add contacts

1. In the phone icon, touch contact - new contact
2. Fill in the new contact information and save it.

Change wallpaper

There are three ways to personalize Wallpaper:

1. Press and hold any blank space on the screen and select wallpaper.
2. Click Settings > display > wallpaper > select Picture
3. Click Settings > display > wallpaper > album > select photo > set picture as wallpaper.

Enjoy music

You can listen to music stored in your phone through the music player.

When you copy music files to your phone, the music player searches for them and generates a directory. Download the app in the play store

To download an application from the play store:

Enter "play store" - log into Google account - search for app and download.

Manage applications

Settings - application. Clicking on any application to view information can also force the application to stop working or uninstall it.

8

Precautions

- Please keep the product away from the magnetic equipment. The radiation of the product may erase the information stored on the magnetic equipment.
- Please do not place the product, battery and charger in appliances with strong electromagnetic field, such as induction cooker and microwave oven, otherwise it may cause circuit failure, fire or explosion.
- Do not place the product, battery and charger in high temperature area or low temperature area, otherwise it may cause the product, battery and charger failure, fire or explosion.
- When charging the battery, try to keep the ambient temperature between 0 °C and 40 °C. The working temperature of the battery is kept between -20 °C and 60 °C. If the battery is placed in an overheated or supercooled area, the capacity and service life of the battery may be reduced. When the temperature is lower than 0 °C, the performance of the battery is especially limited.
- When the product touches the ear, please do not turn it on or off, so as not to affect human health.
- In order to comply with the RF leakage regulations, when you wear the product or use its data function, please keep the distance between the antenna and your body at least 1 inch (2.5cm).
- The signal interference of the product may affect the adjacent TV, radio or computer.
- Please comply with the international specification of RF radiation and use the product accessories specified by our company.
- When using this product, please abide by the relevant laws and regulations, and respect the privacy and legitimate rights of others.

12

Using the touch screen

1. Click function: You can select an icon or option by using click function. Such as click phone icon to open the dialing pad on the main screen.

2. Click twice continuously: zoom in and out function. For example, when viewing a picture or web page, you can click twice continuously to enlarge or shrink the picture.

3. Long press function: You can long press the current user interface, icon or input fields for more operating options.

For example:

Long press an icon in the main menu, the icon will be moved to the home screen;

Long press the home screen space, the wallpaper can be changed.

Android Tips

1. Screen Snapshots: If you want to capture a snapshot of the screen by a shortcut, please try to push the power key and the volume—buton at the same time until you hear a click sound. After the operation is completed the image will be found in the phone gallery.

2. The power saving secrets of Android phones:

Turn off the unnecessary software process: long press HOME button, select the icon and slide left until it disappears;

Turn down screen brightness: If you always use your phone, you can turn down the brightness a bit, so you can extend the battery standby time;

Some settings (such as WLAN, GPS, and network data) can be turned off if not required. These functions will consume power if turned on.

9

- Before cleaning and maintenance, please turn it off. If it is still connected to the charger, you should unplug the charger from the power outlet, and disconnect charger and phone to avoid electric shock, short-circuit of battery or charger.
- Do not disassemble the phone. Only authorized institutions are allowed to repair this product.

Safety warning

- Please turn it off before the phone is close high-precision control electronic equipment, or it may cause electronic equipment failure.
- Equipments will be influenced by the phone include: audiphones, pacemakers, fire alarms, automatic doors and other automatic control equipments. Users who are using electronic medical auxiliary equipment should confirm whether the radio wave will influence it or not with service center of the equipment.
- Pacemaker manufacturers recommend that the distance between the phone and a pacemaker should be kept at least 15 cm to avoid potential interference. Please do not carry the phone in your breast pocket; Please use the different side ear with pacemaker to answer calls to minimize the potential interference.
- Please do not bring the phone into the operating room, intensive care unit (ICU) or coronary care unit (CCU).
- If medical facilities where using mobile phones is prohibitive, please follow their instructions and regulations.
- Please pay attention to tone, volume, vibrate settings of the phone, so as not to influence heart disease patients.
- If inflammable and explosive areas, do not remove, install or charge the battery, so as not to cause explosion or fire.

13

Lock/Unlock

Lock screen

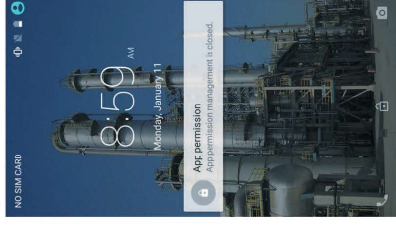
Press the power key to lock the screen. The screen will automatically lock when it is not in use for a period of time. Unlock screen

1. Press the power button to light up the screen
2. Slide up from the bottom of the screen to unlock the screen. Change the screen lock

1. On the home screen, select Settings > Security and privacy > screen lock

2. Select the screen locking method. Notification panel

The notification icon reports new messages, calendar events, alerts, etc. in the status bar. You can open data connection, WLAN, Bluetooth, etc.



10



Erterprise Website

Beijing Dorland System Control Technology Co., Ltd.

Address: Room1107, Tower 3, Tsinghua Tongfang Technology Square,

No.1 Wangzhuang Road, Haidian District, Beijing, P.R.China

Sales Hotline: +86-10-62164681 / 62198496

Service Hotline: +86-10-52985217

Mobilephone: +8613910650041

Website: www.dorland-tech.cn

E-mail: tian@dorland.com.cn

PostCode: 100183

14

FCC Statement

1.This device complies with Part 15 of the FCC Rules. Operation is subject to the following two conditions:

(1) This device may not cause harmful interference.

(2) This device must accept any interference received, including interference that may cause undesired operation.

2.Changes or modifications not expressly approved by the party responsible for compliance could void the user's authority to operate the equipment.

NOTE: This equipment has been tested and found to comply with the limits for a Class B digital device, pursuant to Part 15 of the FCC Rules. These limits are designed to provide reasonable protection against harmful interference in a residential installation. This equipment generates uses and can radiate radio frequency energy and, if not installed and used in accordance with the instructions, may cause harmful interference to radio communications. However, there is no guarantee that interference will not occur in a particular installation. If this equipment does cause harmful interference to radio or television reception, which can be determined by turning the equipment off and on, the user is encouraged to try to correct the interference by one or more of the following measures: Reorient or relocate the receiving antenna. Increase the separation between the equipment and receiver.Connect the equipment into an outlet on a circuit different from that to which the receiver is connected. Consult the dealer or an experienced radio/TV technician for help.

SAR Information Statement Your wireless phone is a radio transmitter and receiver. It is designed and manufactured not to exceed the emission limits for exposure to radiofrequency (RF) energy set by the Federal Communications Commission of the U.S. Government. These limits are part of comprehensive guidelines and establish permitted levels of RF energy for the general population. The guidelines are based on standards that were developed by independent scientific organizations through periodic and thorough evaluation of scientific studies. The standards include a substantial safety margin designed to assure the safety of all persons, regardless of age and health. The exposure standard for wireless mobile phones employs a unit of measurement known as the Specific Absorption Rate, or SAR. The SAR limit set by the FCC is 1.6 W/kg. * Tests for SAR are conducted with the phone transmitting at its highest certified power level in all tested frequency bands.

Although the SAR is determined at the highest certified power level, the actual SAR level of the phone while operating can be well below the maximum value. This is because the phone is designed to operate at multiple power levels so as to use only the power required to reach the network. In general, the closer you are to a wireless base station antenna, the lower the power output. Before a phone model is available for sale to the public, it must be tested and certified to the FCC that it does not exceed the limit established by the government adopted requirement for safe exposure. The tests are performed in positions and locations (e.g., at the ear and worn on the body) as required by the FCC for each model. when worn on the body, as described in this user guide, is 1.159 W/kg (Body-worn measurements differ among Tablet models, depending upon available accessories and FCC requirements). While there may be differences between the SAR levels of various phones and at various positions, they all meet the government requirement for safe exposure. The FCC has granted an Equipment Authorization for this model phone with all reported SAR levels evaluated as in compliance with the FCC RFexposure guidelines.

SAR information on this model phone is on file with the FCC and can be found under the Display Grant section of <http://www.fcc.gov/oet/fccid> after searching on FCC ID: 2BEB3-TABLET additional information on.

Specific Absorption Rates (SAR) can be found on the Cellular Telecommunications Industry Association (CTIA) web-site at <http://www.wow-com.com>. * In the United States and Canada, the SAR limit for mobile phones used by the public is 1.6 watts/kg (W/kg) averaged over one gram of tissue. The standard incorporates a substantial margin of safety to give additional protection for the public and to account for any variations in measurements. Body-worn Operation This device was tested for typical body-worn operations. To comply with RF exposure requirements, a minimum separation distance of 10mm must be maintained between the user's body and the handset, including the antenna. Third-party belt-clips, holsters, and similar accessories used by this device should not contain any metallic components. Body-worn accessories that do not meet these requirements may not comply with RF exposure requirements and should be avoided. Use only the supplied or an approved antenna.