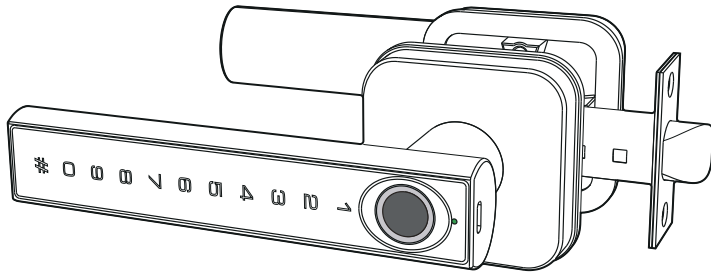


alpha

Fingerprint Door Knob with Handle

D228



Operating Manual of American-standard Lock

Please read and understand the Operating Manual before use.

Caution: Please take along an emergency key or put it in a safe place outside.



You can save your time by scanning the QR code to watch a video on how to install and program and reset the lock

■ Instructions For Use

Prepare screwdriver and a drilling machine before installation.

1. The new lock or the initial default password "123456" and all fingerprints can be unlocked.
2. When the lock is registered, only the registered user can unlock the lock.
3. When unlocking the lock, if the battery is low, you will receive a prompt to replace the battery in a timely manner before unlocking the lock. It is recommended to replace the battery as soon as possible if it is running low. The battery can last for approximately 200 door openings, so it is important to replace it promptly when necessary.
4. Please do not scrape the surface with corrosive objects or sharp objects to avoid damage to the lock surface.
5. When the battery is dead or the electronic part fails, you can use the emergency key to unlock the lock outside. Please properly press the tube key, and put it in a safe place outside.
6. After the installation, the door must be in an open state for debugging and initialization parameter setting.
7. Working temperature: -4°F(-20℃) -140°F (60℃)

■ Packing List

S/N	Content	Quantity
1	Front lock	1
2	Rear lock	1
3	Lock cylinder(Including key*2)	1
4	Specification	1
5	Installation accessories package	1
6	Opening drawing	1

Product Functional Characteristics



Unlocking
via keys



Unlock with
password



Standard
key cylinder



APP
unlocking



Low voltage
alarm



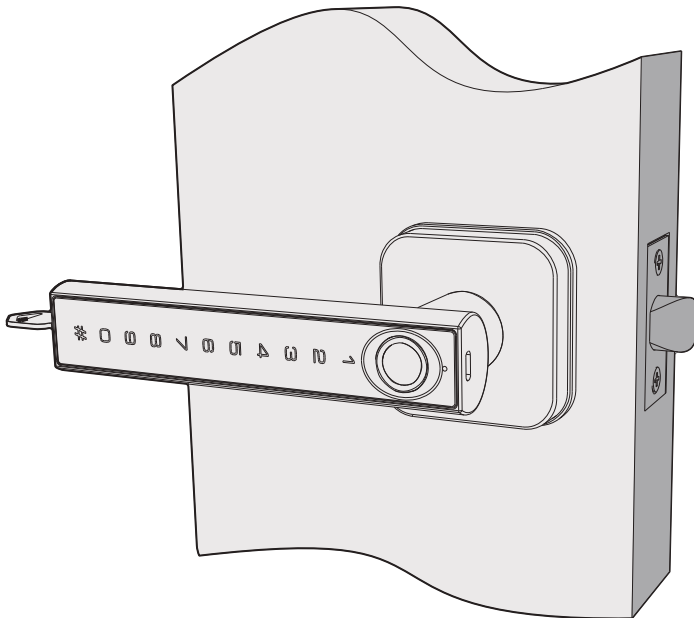
Anti-Peeping
Password



Automatic
locking



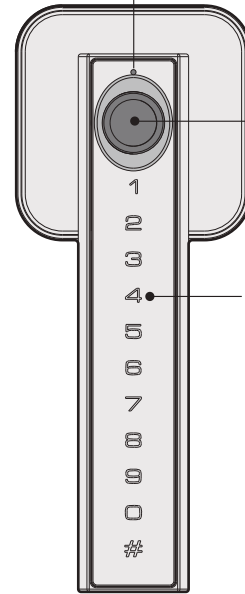
Fingerprint
unlock



Product Breakdown Diagram

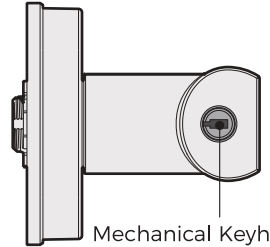
Red and Green State Lamp

Fingerprint Acquisition Head

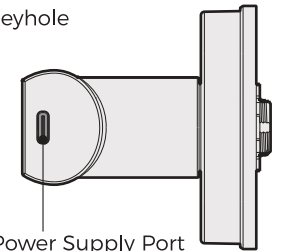


1
2
3
4
5
6
7
8
9
0
#

Mechanical Keyhole



Mechanical Keyhole



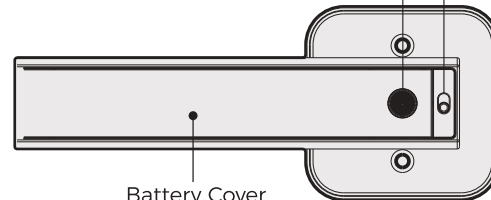
Emergency Power Supply Port
(TYPE C Interface)

Front lock body

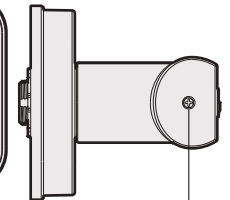


Setting Key

Silent Toggle Switch



Battery Cover

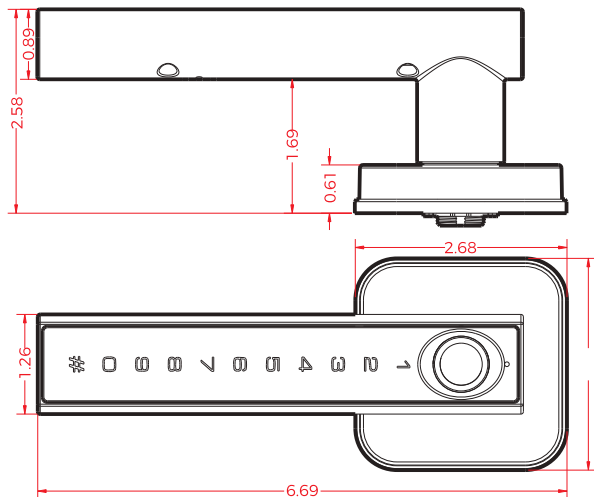


Battery Cover Screw

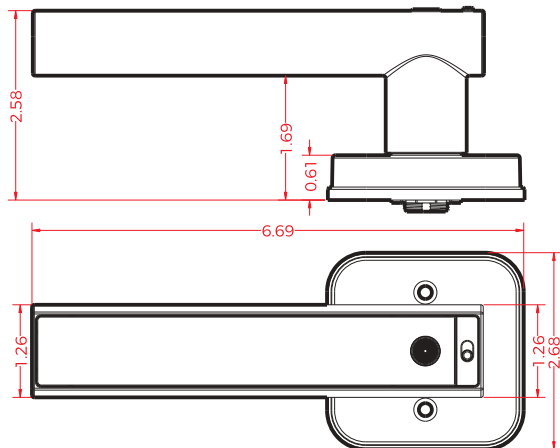
Back lock body

Product Size

Front Lock
Body Unit: Inch



Backside lock
body unit: Inch

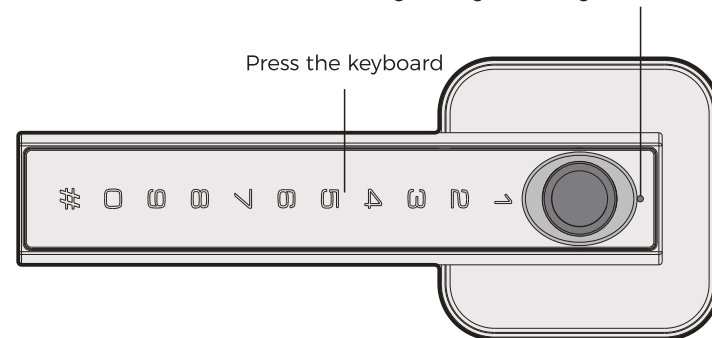


Product Specification And How To Operate The Menu

Name	Content
Key category	Password and mechanical keys
Password capacity	3 administrators and 47 general users
Fingerprint capacity	50 Users
Power supply	4 AAA alkaline batteries
Tips	Prompt of light and buzzer
Low voltage alarm	4.8V
Antistatic	Exposure+/8KV Air+/15KV
Standby current	<70uA
Dynamic power consumption	<300mA
Operating enviroment	-4°F/-20°C ~ +122°F/+50°C
Operating humidity	0%-95%
Applicable door thickness	1.38 IN/35 MM - 2.17 IN/55 MM

Key-Press And Light Indicator Function

Red and green status indicator:
Successful green light, red light on failure



Front Lock Body

■ Operating Procedures

1. Operating procedures

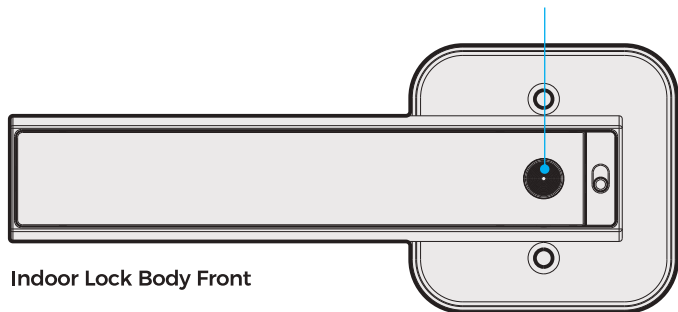
1.1 Administrator user

The first three users who entered the password or fingerprint are the administrator by default.

1.2 System initialization

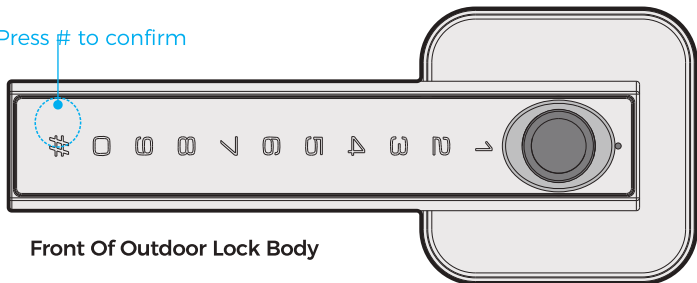
Press and hold the initial health button: when you hear a beep, keep holding the button and the button panel backlight will quickly flash. Do not release the button for about 5 seconds per tick. You will hear a long beep, release the button, and then press the # key to confirm. The system initialization is successful. After initialization, the default password becomes 123456+#key for unlocking.

Long press the setting key for 5 seconds



Indoor Lock Body Front

Press # to confirm



Front Of Outdoor Lock Body

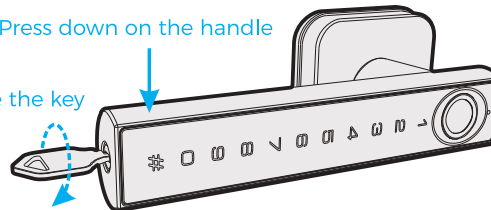
■ Operating Procedures

2. Lock the key, fingerprint, or password

When enter the correct 6-10 digit registered password followed by the pound key, you will hear the voice prompt "door is open" and the green light will turn on. You can then rotate the handle to unlock the lock. However, if the password is incorrect, you will hear three "di-di" sounds and the red light will turn on. In this case, you will not be able to unlock the door.

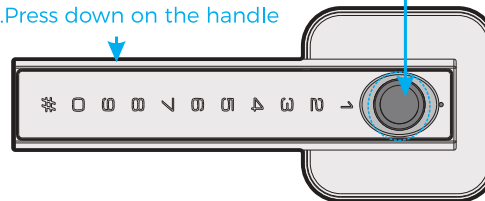
2.1 Mechanical key unlock: insert the correct key, rotate the key, and then press the handle to open the door

1. Rotate the key
2. Press down on the handle



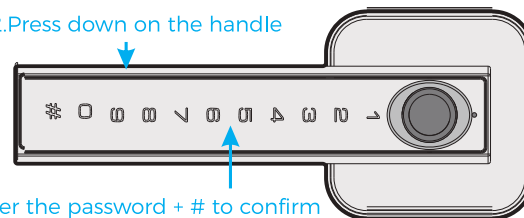
2.2 Fingerprint unlock: press the registered fingerprint, hear the voice "The Door Is Open" and the green light, press can open the lock

1. Press your fingers
2. Press down on the handle



2.3 Password unlock: enter the 6-10 bit password, hear the voice "the door is open" and the green light, the pressure can open the lock

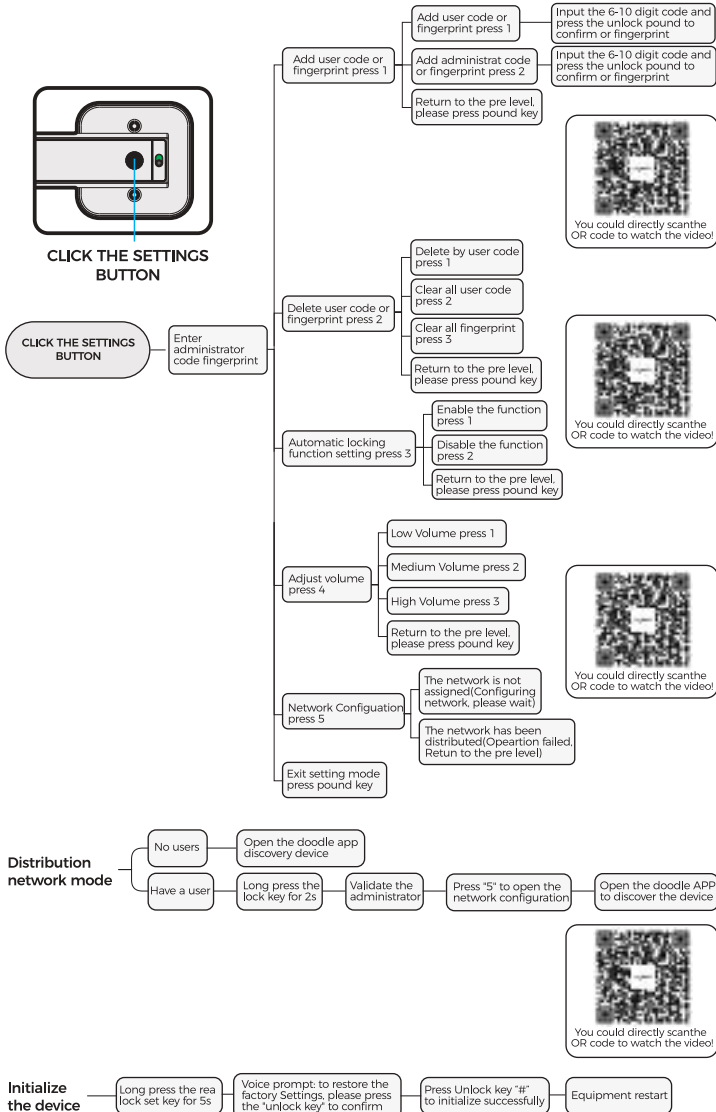
2. Press down on the handle



1. Enter the password + # to confirm

Operating Procedures

3. Menu voice navigation operation process



Operating Procedures

2. Other operations

2.1 Error prompt

The red light lights on for 2 seconds, while the voice sends three "di-di-di".

2.2 Success prompt

The green light is on for 2 seconds, and the voice prompt is correct.

2.3 System lock

When you enter the password is wrong for 5 times, the system will be locked for 1 minute. When the system is locked, any button will voice prompt "alarm sound" until 1 minute countdown to 0, or the power restart will remove the lock.

2.4 Regular open function setting

After the electronic user opens the lock, in the unlocking state, press 7 and 8 + # keys, open the often open setting, voice prompt "often open mode, please pay attention to security", as long as the password or fingerprint door to cancel the regular open function.

2.5 Switching between Chinese and English

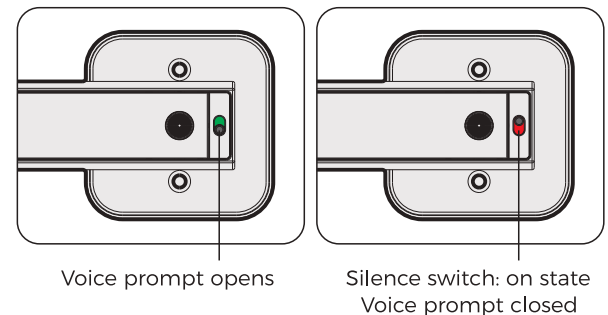
When there is no user status on the lock, "222 + # key" switch between Chinese and English, this function is invalid when the user is input.

2.6 Volume switch

The volume can be adjusted by the menu, and the voice defaults to the maximum after initialization.

Note: The volume setting is effective to pull the mute switch to the off state, when the open state, there is no voice prompt.

As shown below:



■ Operating Procedures



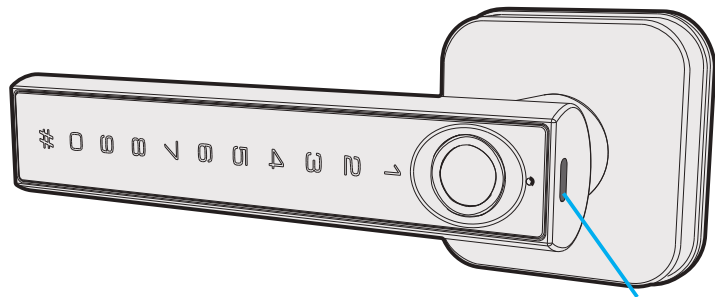
If you think the installation is complicated, you can directly scan the QR code to watch the video!

3. Low voltage alarm

When the battery voltage is lower than 4.8V, after entering the correct password, you will hear "the power is low, please replace the battery" and then the motor turns, reminding the user to replace the battery in time.

4. The battery is completely out of power

When the battery is completely out of electricity, user could use the power bank to temporarily open the battery.



TYPE-C Emergency power supply port

When the battery is completely dead, you can use the charger to temporarily unlock the lock

■ Precautions For Use

1. Disassembly and assembly is prohibited

This product is composed of precise and complex parts. Do not disassemble the internal structure at will to avoid abnormal work or other use risks. If you need to rebuild the disassembly, contact the professional personnel for operation.

2. Use cleaning methods with caution

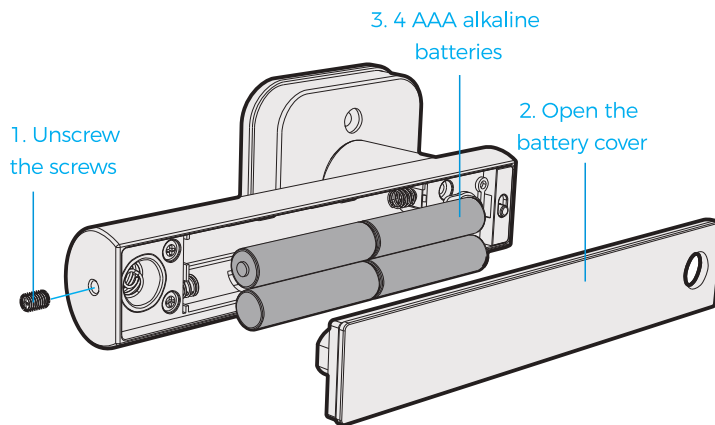
Please use dry cloth to clean the product. No water cleaning to avoid circuit failure.

3. Measures to deal with too low or exhausted battery levels

a. Low battery prompt

When unlocking the lock, "the battery is low, please replace the battery in time", and the red light flashes.

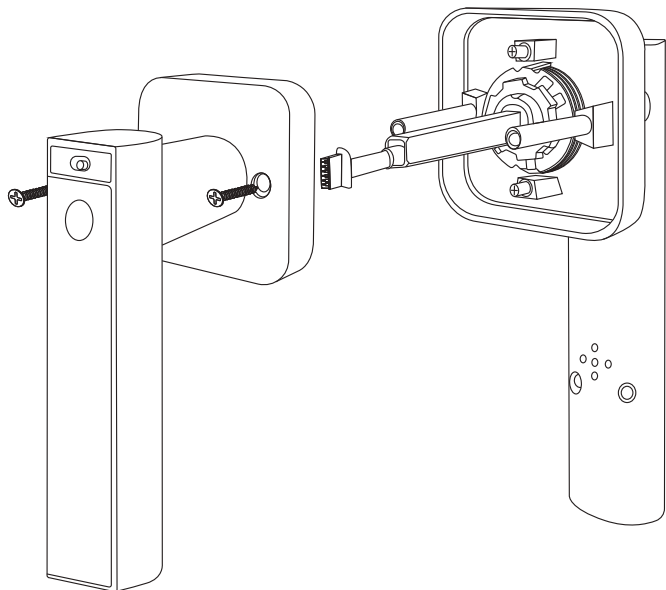
Battery level is low for battery replacement steps:



Pay attention to the battery polarity is not installed in reverse, resulting in abnormal function or not working

■ Installation

① Installation Overview



H —  1.38in / 35mm

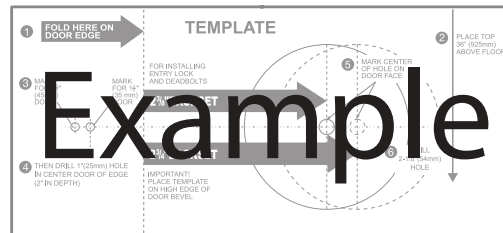
Latch lock fit door thicknesses from
1-3/8" to 2-1/8" (35mm - 55mm)

If your door thickness is 1.38in/35mm to 1.77in/45mm door
thickness, you should use 0.98in/25mm shorter screws.

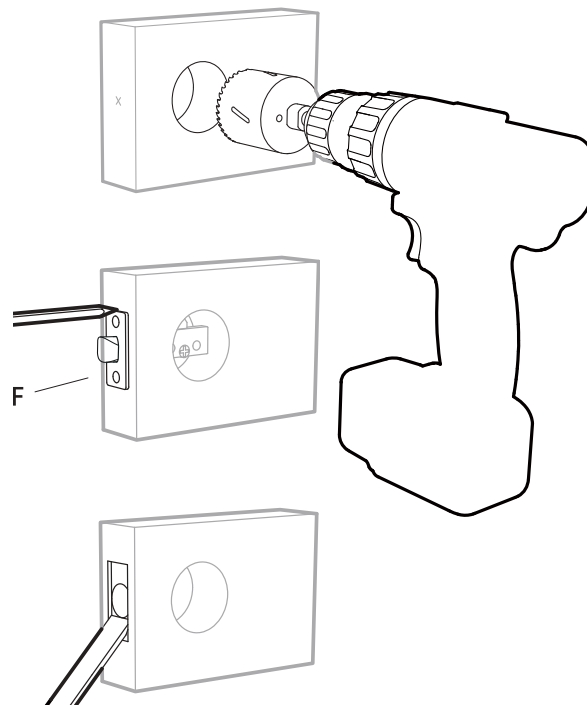
If your door thickness is 1.77in/45mm to 2.17in/55mm door
thickness, you should use 1.38in/35mm longer screws.

② Preparing Door

NOTE: Skip this step if your door comes with pre-drilled holes.

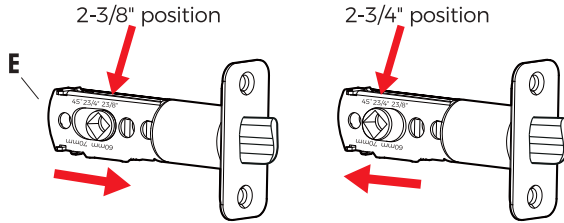


Refer to Template included for Door Prep Instructions



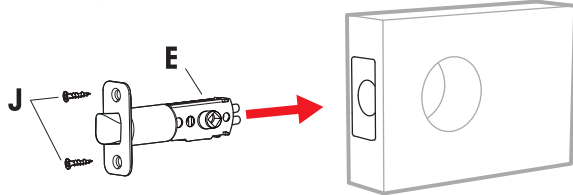
③ Install Enclosed Latch and Strike Plate

NOTE: Do not extend Cylindrical Cover past 2-3/4" (70mm)

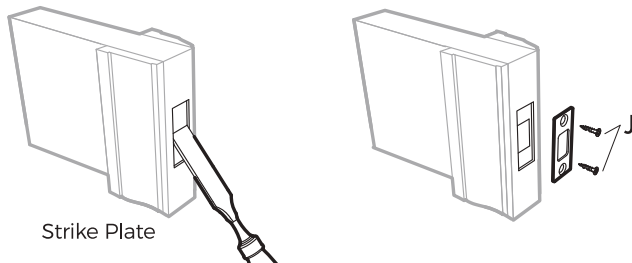


TO CONVERT FROM 2-3/8" (60mm) BACKSET TO 2-3/4" (70mm) BACKSET

1. Hold latch with numbers facing forward and thumb pressing on the bolt.
2. Rotate the cylinder cover clockwise.
3. Pull and twist the extension plate all the way out.
4. Rotate the cylinder counter clockwise so that the marking aligns with the 2-3/4" position indicator.

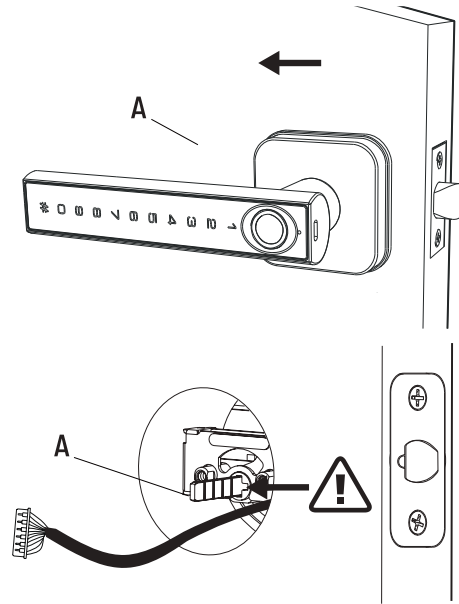


! Latch Must Be Retracted During Installation




! Do Not Over Tighten

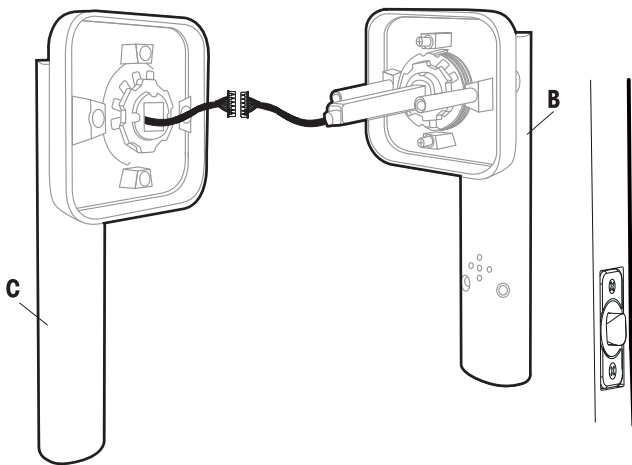
④ Install Exterior Assembly




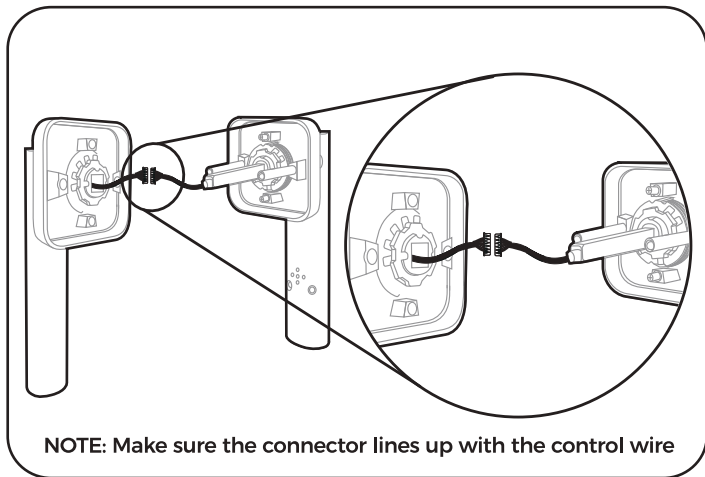
Check that the Rubber Gasket is secured on the Exterior Assembly. Insert the Exterior Assembly onto the door with the tailpiece going through the Latch Set in the VERTICAL POSITION. Route the Control Wire through the door under the Latch Set.

⑤ Install Exterior Assembly

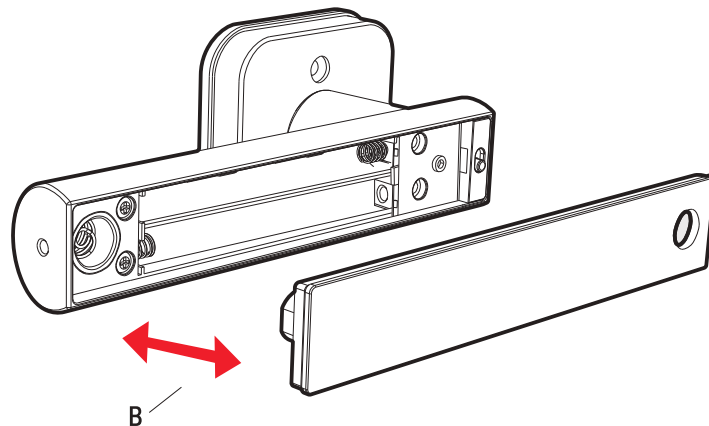
 Carefully insert control wire into the wire connector



 Work with the door open



⑥ Install Batteries and Cover



This electronic door lock is powered by 4 AAA alkaline batteries. When all 4 batteries are installed in the correct position, user could hear 2 beeps and the keypad will illuminate.

The latch extends, retracts, extends, and automatically recognizes the direction of the door. (left or right handed door)

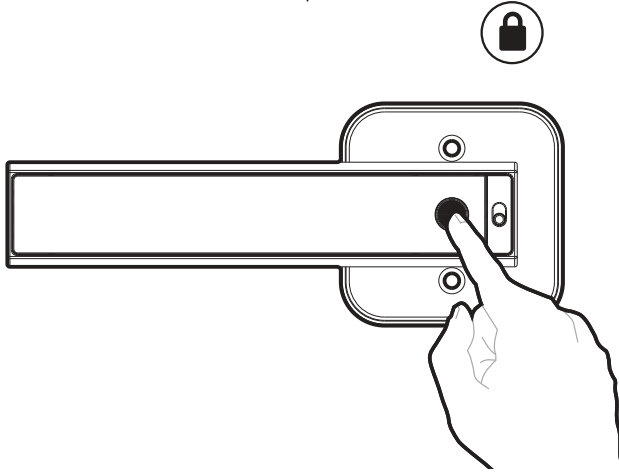
NOTE: Make sure the lock is reset before installing the battery! Otherwise the lock cannot automatically identify the direction. Do not use rechargeable batteries or non-alkaline batteries.




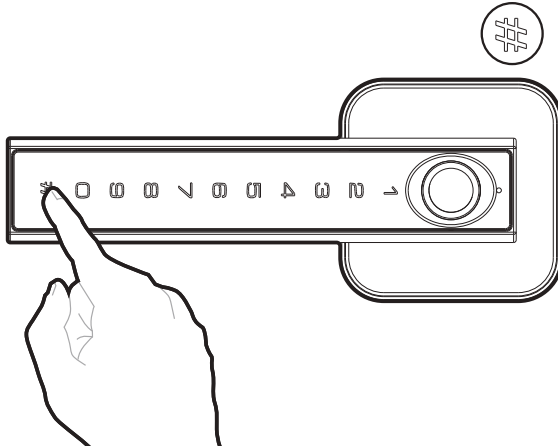
If you think the installation is complicated, you can directly scan the QR code to watch the video!

⑦ Testing Operation

Test the lock button with door open



Test unlocking
Press 1-2-3-4-5-6-



Before Opening Door Let Motor Complete Cycle

■ Tuya Smart APP Instructions

① Download the App





Download tuya App from the App Store
(iOS devices) or Google Play (Android devices)

② Sign up the account

Create your account and follow the set up instructions
in the tuya app



③ Add the device to your APP

1. Before connecting to the APP, the door lock must be set with at least one password.
2. Start setting the password
 - a. Short press the reset button on the rear panel for 1 second, there will be 2 short beeps
 - b. Enter the new administrator password + 
 - c. Enter the new administrator password +  again
 - d. The green light means that the addition is successful. If there are 3 short beeps and the red light is on, it means that the addition has failed.
3. Start the APP to connect the door lock
 - a. Press 3+ , the door lock beeps twice
 - b. Enter the administrator password + 
 - c. The green light flashes, and there is a long beep
 - d. Now take out the mobile phone and start connecting the door lock(it needs to be connected within two minutes, otherwise it will timeout.If the time exceeds 2 minutes, you need to start from step 3.)failed.

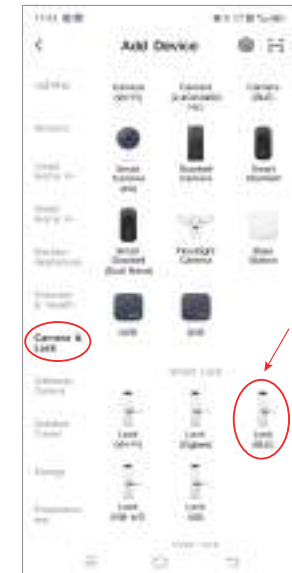
Note:

1. After successfully pairing, Tuya App on your phone becomes Administrator of the lock.
2. If you do not find the lock on App when pairing, please reset the lock first.
3. Once you pair the lock with your App account, the lock will not be able to link to other accounts, unless you remove the lock from your App.



Manually add devices

Path: + in the upper right corner of the mobile phone - Add Device - Camera & Lock - Lock(BLE)





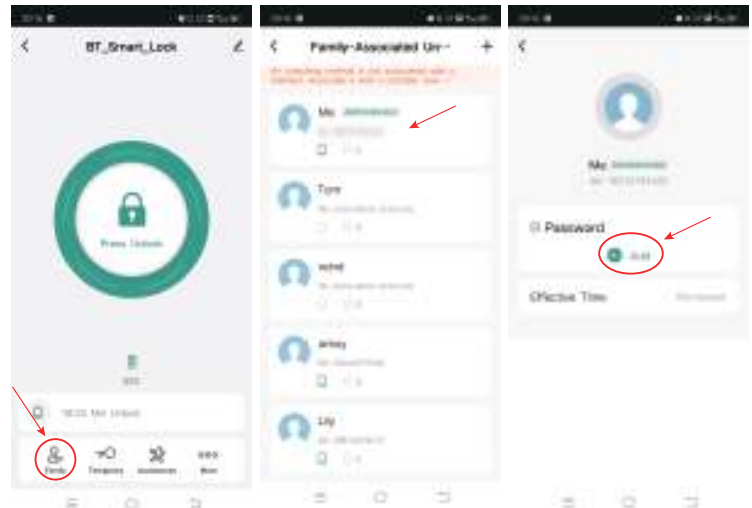
④ APP unlock

Open the APP and the following interface appears, press and hold the unlock button below to unlock



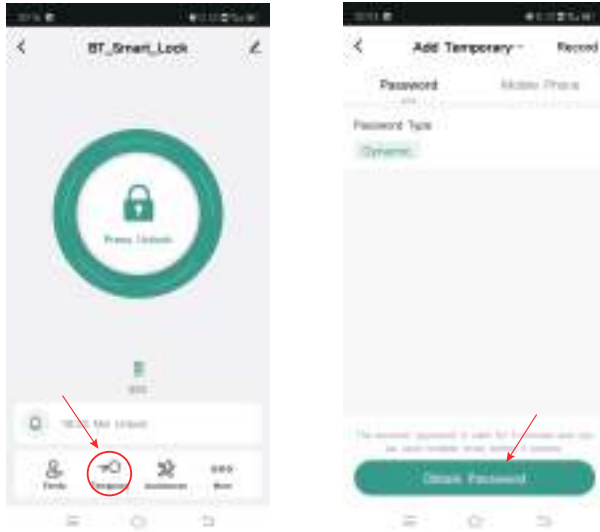
⑤ APP add password

Open the APP and the following interface appears, add the lock password.

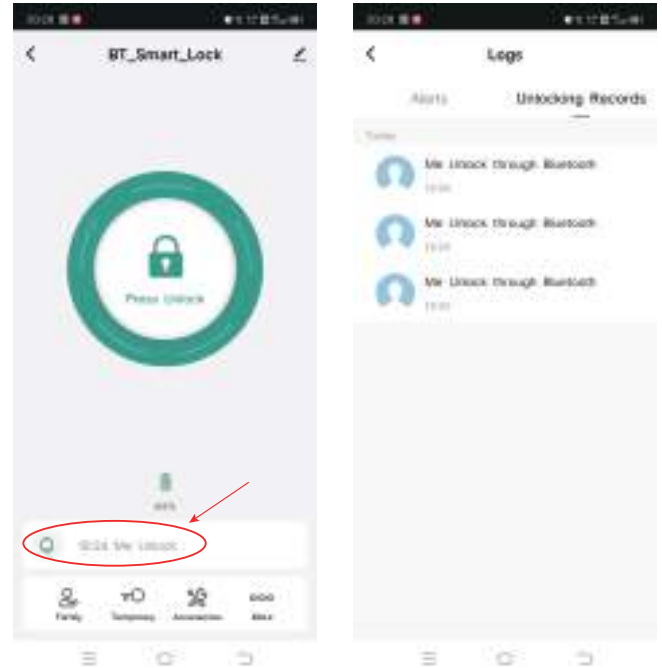


⑥ APP generates a temporary password

Open the APP and the following interface will appear, and a temporary password will be generated to share with the user (the password will only be valid within 5 minutes each time).



⑦ APP check unlock record



If you think the APP operation is complicated, you can directly scan the QR code to watch the video!

■ FCC Statement

This device complies with Part 15 of the FCC Rules. Operation is subject to the following two conditions: (1) this device may not cause harmful interference, and (2) this device must accept any interference received, including interference that may cause undesired operation.

● Warnings:

Changes or modifications to this unit not expressly approved by the party responsible for compliance could void the user's authority to operate the equipment.

● Note:

This equipment has been tested and found to comply with the Limits for a Class B digital device, pursuant to Part 15 of the FCC Rules. These limits are designed to provide reasonable protection against harmful interference in a residential installation. This equipment generates uses and can radiate radio frequency energy and, if not installed and used in accordance with the instructions, may cause harmful interference to radio communications.

However, there is no guarantee that interference will not occur in a particular installation. If this equipment does cause harmful interference to radio or television reception, which can be determined by turning the equipment off and on, the user is encouraged to try to correct the interference by one or more of the following measures:

- (1) Reorient or relocate the receiving antenna.
- (2) Increase the separation at the equipment and receiver.
- (3) Connect the equipment into an outlet on a circuit different from that to which the receiver is connected.
- (4) Consult the dealer or an experienced radio/TV technician for help.

Warranty card

Product Information

The copy kept by customers

Product model		Purchase date		MM/DD/YY	
Address of purchase	City		(County)	Province	
Purchase price		Invoice No.			

User name		Telephone		Postal code	
User address	City		(County)	Province	
Product satisfaction degree	Quality performance: <input type="checkbox"/> Good <input type="checkbox"/> General <input type="checkbox"/> Poor Appearance: <input type="checkbox"/> Good <input type="checkbox"/> General <input type="checkbox"/> Poor				
Application field	Family <input type="checkbox"/> Office <input type="checkbox"/> Hotel <input type="checkbox"/> Others <input type="checkbox"/>				
The first reason	Quality <input type="checkbox"/> Appearance <input type="checkbox"/> Function <input type="checkbox"/> Price <input type="checkbox"/> Service <input type="checkbox"/> Word-of-mouth <input type="checkbox"/> Other <input type="checkbox"/>				
Your suggestion					

In order to ensure your benefits to get the "repair, refund and replacement guarantees" ("three guarantees" for short) from our company, please note:

1. When purchasing the product, please fill out the card completely, correctly and truthfully.
2. Please ask for the invoice or voucher at the time of purchase;
3. Please take good care of the card, the valid "three guarantees card" and valid purchase voucher are the preconditions to realize your rights of "three guarantees"
4. Please take good care of attachments and information for the items. If there is any good return, you need to return the whole set.

The following situations are not within the scope of quality warranty:

1. Warranty period expiry;
 2. No invoice or voucher at the time of purchase, no valid guarantee voucher, or the counterfeit and shoddy products;
 3. Incomplete outer packing at the time of return of products, incomplete accessories, or users disassemble privately and repair on their own, etc.;
 4. Damage resulting from personal factors: Such as break, soaking, fierce hit, use under super high temperature, put beside the high magnetic products for a long time, etc.;
 5. Sellers' secondary sales of the product is affected by human causes;
- The warranty card is altered or the information filled in on the warranty card is inconsistent with the actual items;
7. No product serial number, the product number is damaged and the product identity cannot be proved;
 8. Product damage due to natural disasters such as acts of god; 9. Damage due to failure to use and assemble as per the operation manual.

Note: 1. The power of interpretation for the content of the card is owned by our company;

2. Presented gifts are outside of the service range;
3. Only the records filled in by institutions and engineers with the maintenance qualification authorized by our company are valid;
4. The service records are just limited to the content stipulated by "three guarantees", for details, please refer to relevant regulations of the state.

■ Warranty

- We provide 30 days worry-free money back and one year limited warranty.
- Any problem, please feel free to contact us.
E-mail us at: support@arpha.com