

Front view

Attachment

Schematic	Part name	Quantity
	Air outlet duct kit	1 set
	Window kit	1 set
	Remote control	1 set
	Drain hose	1 set

Remarks: All the illustrations in this manual are schematic diagrams, which may be slightly different from the actual product, but do not affect the use. Please make sure all accessories are taken from the packaging before use.

03 /Parameters and Specifications

Region	China	Taiwan	Japan	AMERICA	Japan
Model No.	MSZ-FA2C	MSZ-FA2C	MSZ-FA2C	MSZ-FA2C	MSZ-FA2C
Capacity	2.0kW	2.0kW	2.0kW	2.0kW	2.0kW
Rated voltage	220V-230V	220V-230V	220V-230V	220V-230V	220V-230V
Rated current	10.0A	10.0A	10.0A	10.0A	10.0A
Rated power	1000W	1000W	1000W	1000W	1000W
Rated capacity	23000 BTU/h	23000 BTU/h	23000 BTU/h	23000 BTU/h	23000 BTU/h
Rated cooling capacity	23000 BTU/h	23000 BTU/h	23000 BTU/h	23000 BTU/h	23000 BTU/h
Rated heating capacity	23000 BTU/h	23000 BTU/h	23000 BTU/h	23000 BTU/h	23000 BTU/h
Rated power consumption	1000W	1000W	1000W	1000W	1000W
Rated current consumption	10.0A	10.0A	10.0A	10.0A	10.0A
Rated capacity	23000 BTU/h	23000 BTU/h	23000 BTU/h	23000 BTU/h	23000 BTU/h
Rated cooling capacity	23000 BTU/h	23000 BTU/h	23000 BTU/h	23000 BTU/h	23000 BTU/h
Rated heating capacity	23000 BTU/h	23000 BTU/h	23000 BTU/h	23000 BTU/h	23000 BTU/h
Rated power consumption	1000W	1000W	1000W	1000W	1000W
Rated current consumption	10.0A	10.0A	10.0A	10.0A	10.0A
Rated capacity	23000 BTU/h	23000 BTU/h	23000 BTU/h	23000 BTU/h	23000 BTU/h
Rated cooling capacity	23000 BTU/h	23000 BTU/h	23000 BTU/h	23000 BTU/h	23000 BTU/h
Rated heating capacity	23000 BTU/h	23000 BTU/h	23000 BTU/h	23000 BTU/h	23000 BTU/h
Rated power consumption	1000W	1000W	1000W	1000W	1000W
Rated current consumption	10.0A	10.0A	10.0A	10.0A	10.0A
Rated capacity	23000 BTU/h	23000 BTU/h	23000 BTU/h	23000 BTU/h	23000 BTU/h
Rated cooling capacity	23000 BTU/h	23000 BTU/h	23000 BTU/h	23000 BTU/h	23000 BTU/h
Rated heating capacity	23000 BTU/h	23000 BTU/h	23000 BTU/h	23000 BTU/h	23000 BTU/h
Rated power consumption	1000W	1000W	1000W	1000W	1000W
Rated current consumption	10.0A	10.0A	10.0A	10.0A	10.0A

04/Install the duct

Select installation location:

Install the duct

- Check the duct for damage. If damaged, it must be replaced.
- Check the duct for correct length. It should be long enough to reach the window frame with some slack.
- Check the duct for correct orientation. It should be installed in the direction of the air outlet.
- Check the duct for correct connection. The duct should be connected to the air outlet of the machine.
- Check the duct for correct installation. The duct should be installed in the direction of the air outlet.

05/Window Kit Installation Instructions

Assembly of the window kit

- Part name:
 - Interior window frame.
 - Exterior window frame with hook.
 - Down.
- Assembly:
 - Insert interior window frame B into interior window frame A, and adjust the length to equal the window length.
 - Use down or screw to lock the window frame.

Installation location

- The machine needs to be placed on a firm and level surface to prevent abnormal noise and vibration.
- The wheels installed on the machine are used to assist in moving the machine, and it can only move on smooth and flat ground. Be careful and not slip over when moving on the carpet. Please do not move on the wooden floor to prevent damage to the wooden floor. Please do not step over obstacles.
- The machine must be placed near an socket with remote.
- There should be no obstacles in the air outlet or air inlet of the machine.
- To make air conditioner working effectively, please leave at least 50mm clearance around the machine.
- The air duct can be elongated, but it's better to keep the length as short as possible, and ensure that the air duct is as smooth as possible without excessive bending.

The mounting brackets fit most window that open horizontally or vertically. You can modify them according to your window if necessary.

- Open the window or open the door and adjust the length of the mounting brackets to fit the opening. If necessary, mark and cut the other side.
- Put the mounting bracket between the window and the window frame, and then the window on the mounting bracket forms a tight gap.
- Connect the air duct connector to the mounting bracket. Secure with tape to secure the connector to the mounting bracket.

The design of this machine is more suitable for horizontal or vertical sliding windows, but for other types of windows, manual modification may be required to suit the type of window. The window frame can also be fixed with screws.

Note: If the opening of the window is smaller than the minimum length of the window frame, you can cut the length of the window frame to match the window opening. Please be careful not to cut the hole end of the window frame.

06/Control panel operating instructions and multicolor display panel

Control panel

Button Description:

Button from left to right:
 Swing Child Lock / Timer/WFI / Reduce / Increase / Mode / Speed ON/OFF.

Function from Description:
 Icon from left to right:
 Water Full / Child Lock / WFI * / Auto mode / Cool / Dehumidifier / Heat * / Fan / Sleep mode / Low / High / Auto.

* * * means that only the heating and cooling modes have this function.
 * ** means that models with WFI function have this icon.
 Note: When the machine is powered on, if the display shows "CF", it means the machine has W-Fi function. When the machine is connected to the mobile phone, the W-Fi indicator will light up. For details, please see the W-Fi connection manual.

Multicolor display panel

A.Cooling/Blue Light B.Heat/Orange Light
 C.Dehumidifier/White Light D.Fan/Green Light
 E.Water Full/Red Light

Product button operation instructions

ON/OFF:
 Turn on / off.

Speed selection:
 When working, press the fan button for a short time, and the fan speed will be cycled between low/high/auto speed in the dehumidifier mode, this button is inoperable.

V Button:
 Reduce temperature or time.

A Button:
 Increase temperature or time.

Timer/WIFI button:
 Press timer button, then press "reduce" key or "increase" key to set timer. Timer ranges in 0-24h.
 Note: When power on, press and hold "Timer" key for 5 seconds to activate "WFI" function.

Child lock:
 When the power on or standby, press and hold the child lock button for 3 seconds, the child lock icon will light up, and all buttons will be invalid. Press and hold for 3 seconds or power on again to release the child lock.

Swing button:
 Vertical blinds swing, or stop swinging.

Function Icon Description

Water full protection:

- When full of water for 5 seconds, it enters the standby mode, the buzzer sounds 5 times, and the water full indicator lights up to remind the user;
- All buttons will not work during this step until back to normal mode;
- When full of water alarm is ended and back to normal mode, it can only work after restarting;

WFI connection:
 Press and hold the timer button for 5 seconds when power on, WFI will be started to be connected:
 smart/working status: WFI icon flash: 2 times/ second;
 AP matching status: WFI icon flash: 2 second/time;
 WFI icon will be always on when WFI matched, WFI icon will be off if not matched in 2 minutes.

Auto mode:
 The controller determines the operating mode based on the room temperature (see table below):

Room temperature	<23°C	23°C~26°C	>26°C
Mode	Cool	Fan	Cool

Remark: If cool only, Auto heat will become Auto fan.
 The three working modes and protection functions in automatic mode are the same as their corresponding working modes.

Cool mode:
 The fan runs high speed first for 2 seconds, and then runs the wind speed set by the user. Even if the room temperature reaches the temperature set, the wind speed can be set by the fan motor and the compressor work at the same time.
 The temperature control range is 16°C(61°F) ~ 32°C(90°F), the default setting temperature of the cooling mode is 24°C, and the set temperature can be adjusted by the "↓" keys on the remote control or operation panel. Adjust, and the digital tube will display the set temperature after the mode is confirmed. Other actions are as follows: RT>ST1: hour, compressor, fan and water pumping motor will run here "RT" means the ambient temperature, "ST" means set temperature of machine by users.

Dehumidifier mode:
In the dehumidifier mode, the machine can still work in low fan speed, and no need to connect exhaust pipe. When starting the dehumidification for the first time, the ambient temperature reduces 2 degrees as the set temperature of dehumidification.
Water pumping motor: In dehumidification mode, the water pumping motor and compressor can start and stop at the same time when the machine is with Cooling Function but without Heating Function when the machine is with Cooling and Heating Function both the water pumping motor does not work and the compressor starts.
Alarm: Any alarm will cause the dehumidification cycle to stop.

Heat mode:
The temperature control range is 16°C(61°F) ~ 32°C(90°F), and the default setting temperature for heating mode is 25°C (77°F). The set temperature can be adjusted through the "Temp" on the remote control or the operation panel. After the mode is confirmed, the digital tube displays the set temperature.

Fan mode:
In this Fan mode, only the fan motor is turned on. High, Low and Auto wind speed can be selected. Press the wind speed button on the remote control to switch the wind speed synchronously.
Alarm: fan mode will only stop when "water full alarm".

Sleep function:
① Press and hold the Fan Speed button for 3 seconds to enter into sleep mode/After entering into sleep mode, only 50% of the LED light brightness is indicated.
② During sleep mode, press and hold the Fan Speed button for 3 seconds again to cancel "Sleep Mode". ③ Press "mode" button or "power ON/OFF". Then the sleep mode is also cancelled.

Swing function:
The swing function is done by the rotation of the stepper motor, and the rotation angle of the stepper motor is 0° ~ 110°. When starting up, the stepper motor rotates from 0° to 110° position and stops at this position, and does not respond between 0° and 110° until it receives the swing wind command. When turned off, no matter whether the stepper motor is in the swing function or the static mode, the stepper motor rotates, and the vertical air flow direction will be adjusted manually.

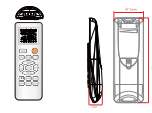
07 /Universal Remote Control Operation Instructions

The remote control can operate the air conditioner with 2 AAA batteries. Please insert the battery before using the remote control.
The remote control has the same functions as the operation panel.
The LCD display panel on the remote control can display Celsius or Fahrenheit. Press the "°C/°F" key and "°C/°F" key simultaneously on the display panel to change the temperature in Celsius or Fahrenheit.

Panel button description
There are 14 controllable buttons in total:
1. ON/OFF: Turn on/off the appliance.
2. Adjust (-): Press once, set temperature reduce 1.
3. Adjust (+): Press once, set temperature increase 1.
4. Mode: Change the working mode of the air conditioner. Follow the sequence of "cool—dehumidifier—heat—fan—auto".
5. Speed: Adjust the speed of the air conditioner. Operation mode: "low—high—auto" sequence cycle switching.
6. Left and right wind button: Control the swing of the linear air guide grille or fix it in a certain position. The operation mode is cycle according to "swing—fix".
7. Dry: When pressing this "Dry" key, the machine enters into "dehumidifier" mode.
8. Timer
8.1. The timing function is set with a button "timer", and the timing time increases by 1 hour each time you press the button.
8.2. Press the "timer" button to set the fixed opening time when power off.
8.3. Press the "timer" button to set the timer to turn off when power on.
8.4. When the timing function is set, the timing time displayed on the display panel decreases every 1 hour until the timing time is up, and the timing display is turned off. When the time is set, the timer flashes for 5 seconds to display the set temperature, and only the time is displayed when the timer is on.

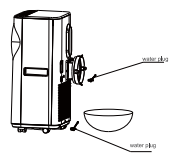
9. Lock:
Press this button, the remote control and air conditioner are automatically locked, and pressing other buttons at this time is invalid. Press this button again to unlock the remote control and air conditioner automatically, emergency button not locked.
10. Display: Press "Display" key to turn off or turn on the lights display on the control panel of machine.
11. Heating: Press "Heating" key to activate or cancel "Heat" mode. Attention: If the present machine is without "Heat" function, then this key is no use or no reaction after pressing it.
12. Sleep: When you press the sleep button, it will switch according to the cycle of "sleep—cancel sleep—dry". The fan speed is automatically switched to low wind when set to sleep mode.

Remote Schematic
ND:1

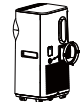


08/Draining
When entering into "Cool" mode, the condensed water will be produced on the evaporator. When the condensed water flows down, it will be pumped by water-pumping motor onto the condenser to cool the condenser and improve its efficiency. When the water tank is full of water, the control panel of machine will display "F1" and the "F1" icon will flash, until the water level drops down.

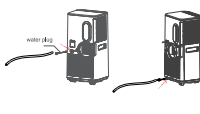
- When the machine stops working, please do not move it.
- Take out a water receiver and put it around the drain hole at the back of machine.
- Take out the plug of drain hole, then water in the water tank will come into water receiver. Then pour out the water receiver to other place. By this way, please empty the water tank of machine. When all is done OKAY, put the plug into drain hole well.



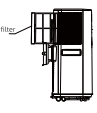
4. When the tank is empty, plug the drain firmly with the plug. Do not let the water continue to flow to the sump, as it can easily overflow.



5. When connecting the water pipe, first take out the water plug, pick up the water pipe, check against the water outlet. Bore toward the arrow.
You can areas in the direction. Note that Figure 1 shows the water connection in dehumidification mode, and Figure 2 shows the water connection.
The outlet of a water tank.



09/Routine maintenance
Before cleaning, to avoid leakage, turn off the power and pull out the plug.
Surface clean:
Wipe the surface with a soft cloth, do not wipe the surface with aggressive chemicals or detergents to prevent damage to the surface.
Avoid direct exposure to direct sunlight to avoid changing the surface color.
Filter clean:
Take the filter out of the air conditioner.
Gently soak the filter in a mild detergent, rinse thoroughly, and dry. Dirty filters reduce air flow. Filters should be cleaned every two weeks.



10/Storage after summer
Turn off and unplug. Drain all the water in the tank.
If fan mode for 2-4 hours to dry out the mode of the machine.
Clean the filter. Power cord hangs on hook.
It is recommended to pack in the original packaging.
Store in a dry place.

11/Trouble Shooting
Before seeking repair or service, please confirm the following information:

Faulty	Possible cause	Solution
No working for many days	<ul style="list-style-type: none"> No working or only fan motor works If the main power supply is turned off The indicator light comes on when the water container is full Operation error 	<ul style="list-style-type: none"> Subst. confirm that the plug is in place Check the main power supply from water tank Change filter setting
Cooling is not effective	<ul style="list-style-type: none"> If the air inlet and outlet blocked If there are any other heat source in the room If the filter is too dirty If the temperature setting is too high If the fan speed setting is too low 	<ul style="list-style-type: none"> Close blank Move the heat source Change the filter Change the temperature Increase the speed
Water or vibration	<ul style="list-style-type: none"> whether to place the machine on an uneven surface? If the power supply voltage correct and stable? 	<ul style="list-style-type: none"> Place the machine on a flat surface Find suitable power supply
Heating starts or heats frequently	<ul style="list-style-type: none"> whether the water tank is placed incorrectly? 	<ul style="list-style-type: none"> POSITION THE WATER TANK CORRECTLY AND KEEP IT AS STRAIGHT AS POSSIBLE

Faulty informations:
If any of the following faults are present, the diagnostic system indicator will appear and the product requires simple repair by customer technicians.

PT abnormal display	showed "E1"	If it is displayed repeatedly, it will be recovered by itself in 24h, and it can't be recovered by customer technicians
PT abnormal display	showed "E2"	No fault
Freeze protection	When temperature set too low, will not start operation	
Over temperature protection	showed "E8"	Panel cover is displayed for 10s, then it will stop
Water full alarm	showed "F1"	See water full alarm function

When there are multiple faults, (priority display: P1, E8, E2, E1).