

# Acknowledgment Letter

CustomerName: Huatao Intelligence

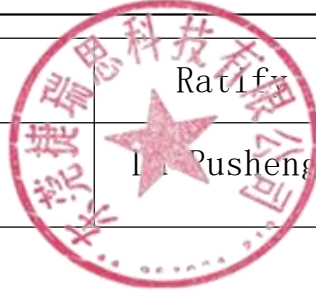
Customerpart number: All coil

Our company model: G43.5-0.8-24-2P-11MM

Sample delivery date: August 1, 2023

Supplier: Dongguan Jieruisi Technology Co., Ltd

draw	to examine	Ratify
Lu Lin	Deng Xianggui	Li Pusheng



The customer acknowledges that:

Qualified	unqualified	recognize
Note		

Dongguan Jieruisi Technology Co., Ltd

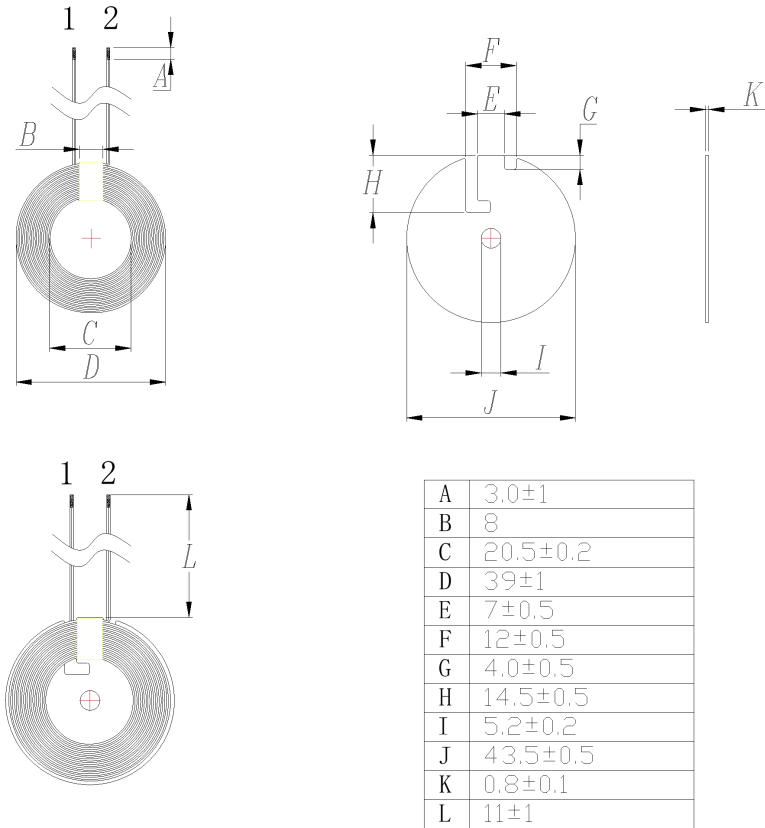
Tel: \_\_\_\_\_

Fax: 86+13425179000

address: 152 Guanchang Road, Taigongling Village, Dalingshan Town, Dongguan City

Customer Name	Customer part number	Our company model	version	Date
Huatao Intelligence		G43.5-0.8-24-2P-11MM	A0	2023.8.1

一、Plan structure diagram: unit:MM



二、Product parameters:

Foot position	Wire diameter	number of turns	Note
1-2	0.08*24*2P	10	Hot air twisted wire

三、Technical requirements:

1. Fix the wire head and tail to prevent loose or broken wires
2. According to customer requirements, cut the excessively long wire ends and tin them with a uniform tin plating depth of  $3 \pm 1 \mu\text{m}$
3. Apply appropriate white glue on the soft magnetic sheet, attach the coil, and ensure that the surface of the product is clean and tidy during the process
4. The soft magnetic disc used is with circular holes and is undamaged
5. 5. Additional processes (according to customer requirements):

#### 四、Electrical parameters:

1. Inductance value, Q value:

$$\text{PIN } 1 - 2 = 6.5\mu\text{H} \pm 0.3\mu\text{H}$$

$$q\text{-value} \geq 40$$

The above inductance values are based on Quanhua 1062A instrument, with 10KHZ/0.3Vrms as the standard or equivalent instrument.

Q value is based on Quanhua 1062A instrument, with 100KHZ/0.3Vrms as the standard or equivalent instrument. 5. Material list:



No.	name	material quality	supplier	Note
1	Hot air twisted wire	0.08X24X2P	Uyghur or equivalent	
2	magnetic sheet	G25 Soft substrate	Tiantong or equivalent	
3	tin	High temperature environmental protection	Qiandao or equivalent	
4	White glue	BY882	Qiandao or equivalent	
5	Double-sided adhesive	diameter 42mm	Honghui or equivalent	
6	High temperature adhesive tape	8MM		