

Shen Zhen Jingxun Software Telecommunication Technology Co., Ltd

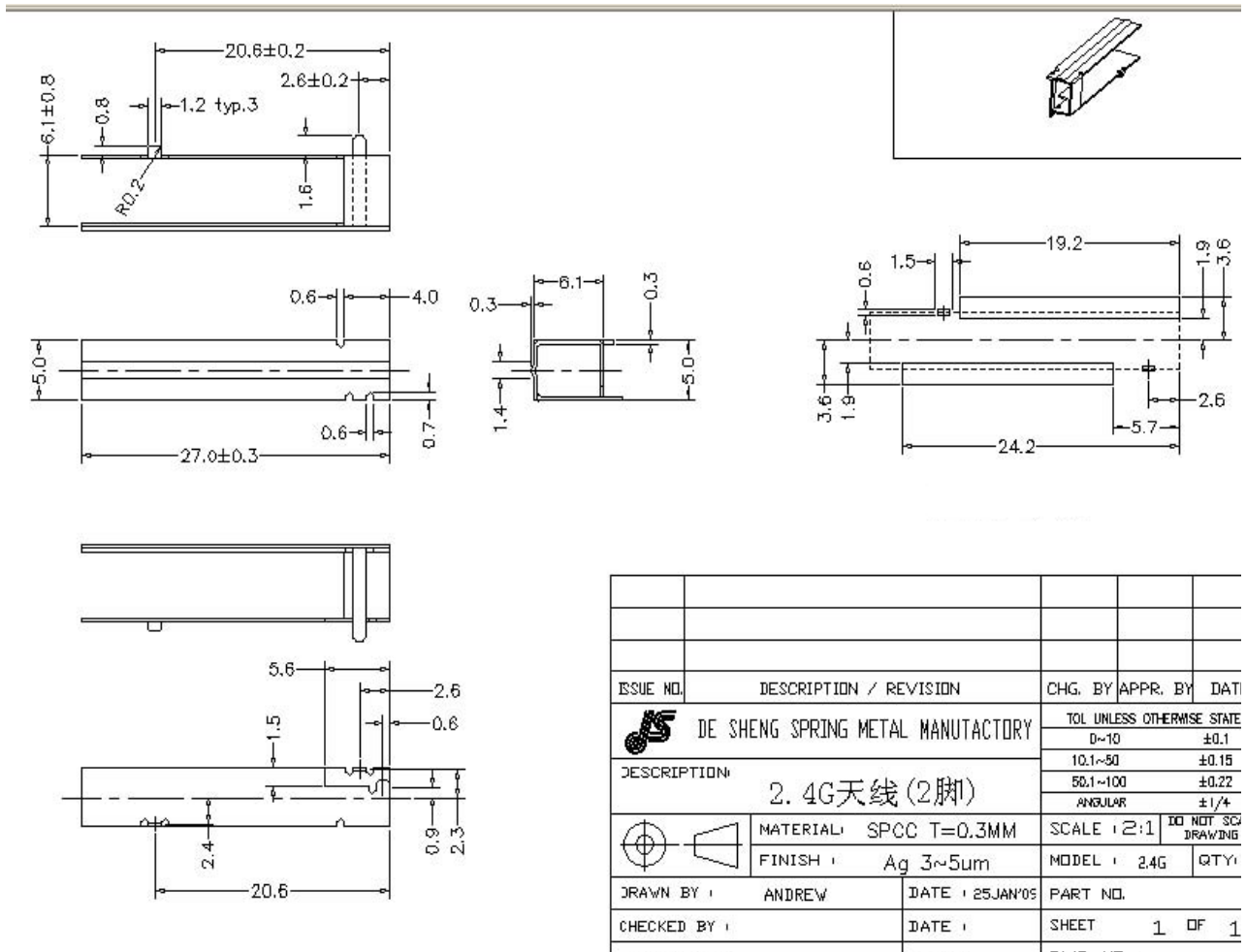
深圳市福田区香梅路青海大厦八楼
Tel: 0755-83948366; Fax: 0755-83948366

Manufacturer: Shenzhen Xindongchuang precision hardware co., Ltd
Address of Manufacturer: No. 221 Cai Feng Middle Road, Shajing Town. Baoan District, Shenzhen.

2.4G Antenna

一、外形及尺寸/Shape and size

Unit: mm



Antenna Type: PIFA Antenna
Antenna Model: DH901J
Antenna Frequency Range: 2402-2480MHz
Antenna Peak Gain: -2.2dBi

二、电子测试数据/Electronic test data

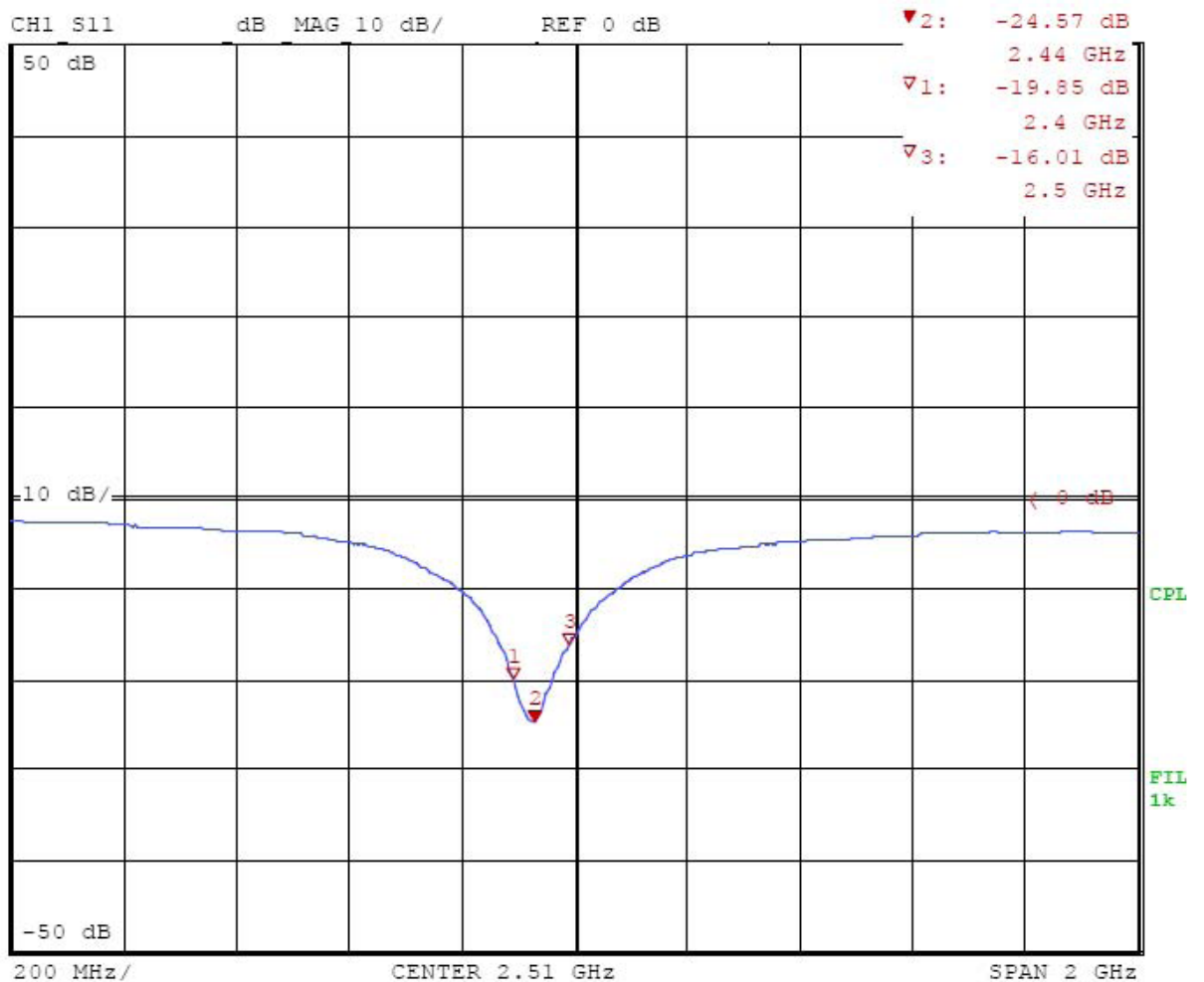
Ambient temperature :26 ° C Ambient humidity :65% The parameters are as follows

Frequency Range:2400–2500MHz; Impedance:50 Ω ;

VSWR:<2:1Across band; Polarization:Linear Average Gain:X-Y plane:-4.9dbi;Y-Z plane:-3.3dbi;

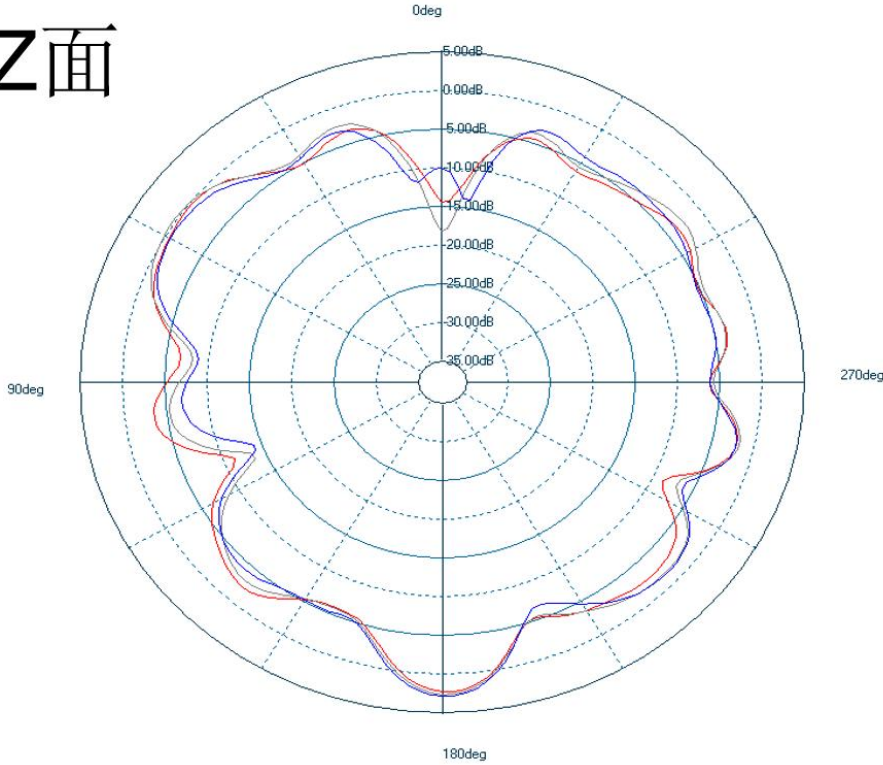
Maximum Gain:X-Y plane:-4.5dbi;Y-Z plane -2.2dbi;

Typical Return Loss:

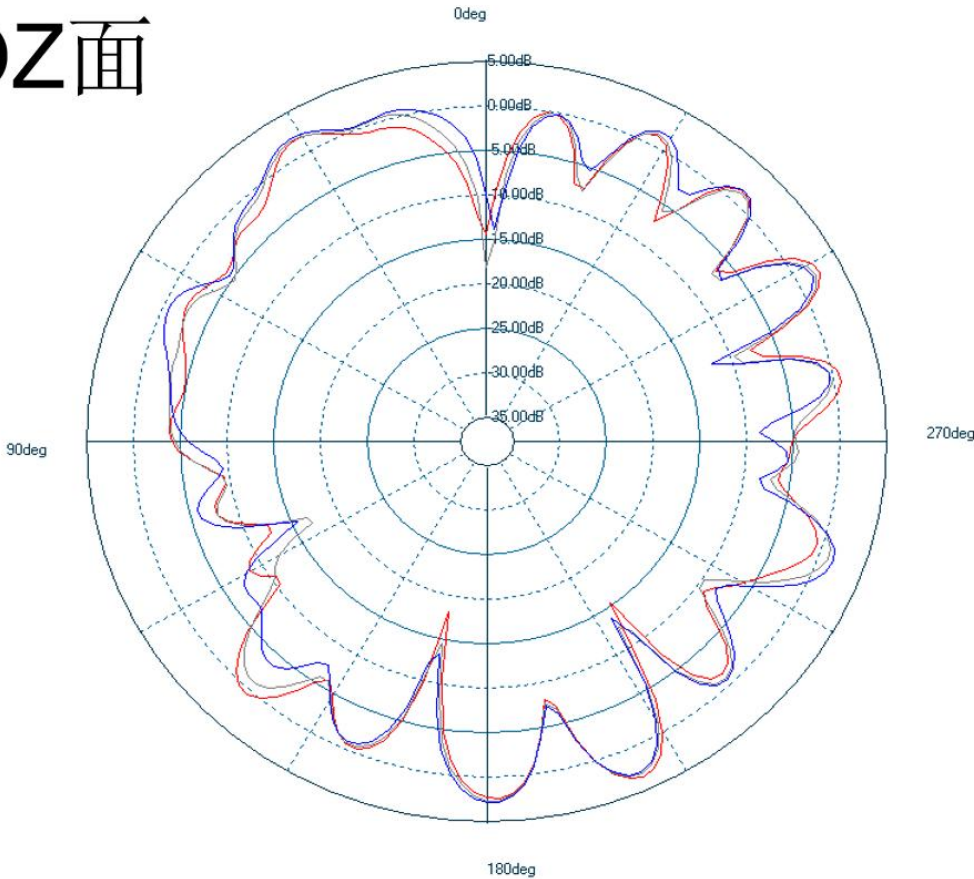


3-4 2D/3D Radiation Pattern Results

XOZ面



YOZ面



XOY面

