

深圳市千目通讯科技有限公司

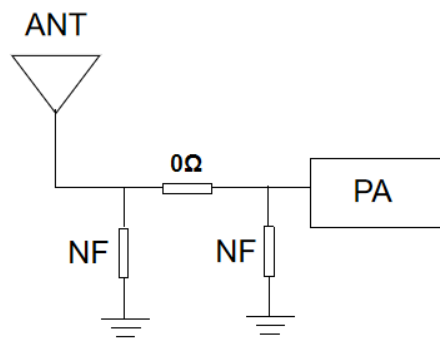
Shenzhen Qianmu Communication Technology Co.,Ltd.

Antenna acknowledgement

Applicable model	ZB10S-WiFi6		
client	Shenzhen peicheng technology co., ltd		
Specification description			
	Product content	specifications	Customer material code
Specification description	Wifi antenna	FPC/ black/character QM-ZB10S-8800-V1.1 +Third-generation terminal 0.81*175mm+ conductive cloth+padded foam	ZB10SG002
Change resume			
serial number	date	version	Brief description of changes
one	2024-02-23	V1.0	New project
2			
three			

Supplier sample confirmation					
research and development	structure	check	decide		
			PASS FAIL		
Customer sample confirmation					
electron	structure	project	purchase	quality	check
Reasons for rejection or other precautions:					

1、 WiFi antenna matching

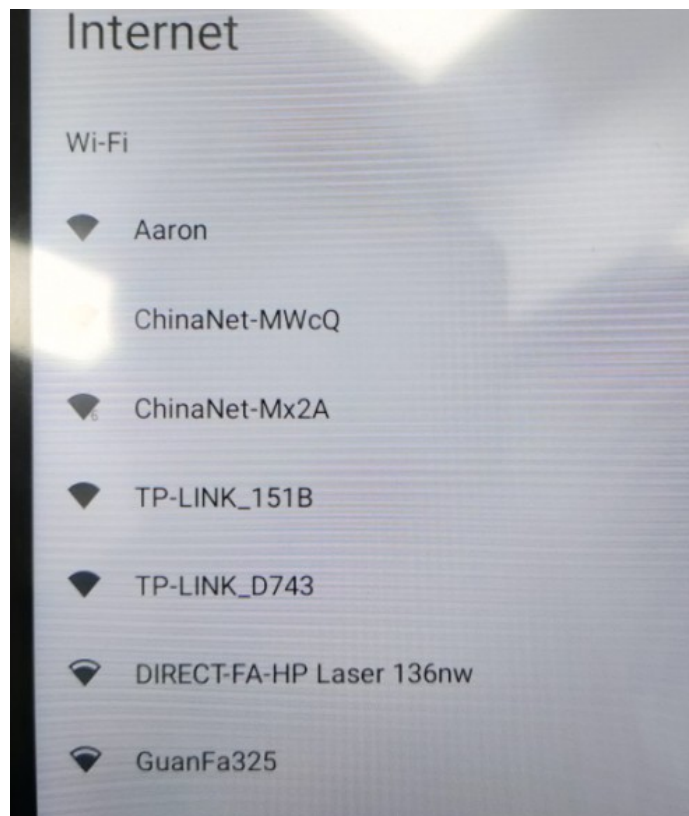


The original matching circuit has not changed.

2、 WiFi antenna active data

	WIFI 2400~2500MHz 802.11b 11Mbps		
Channel	one	six	11
TRP	12.84	12.58	12.99
TIS	-77.9	-77.24	-78.43

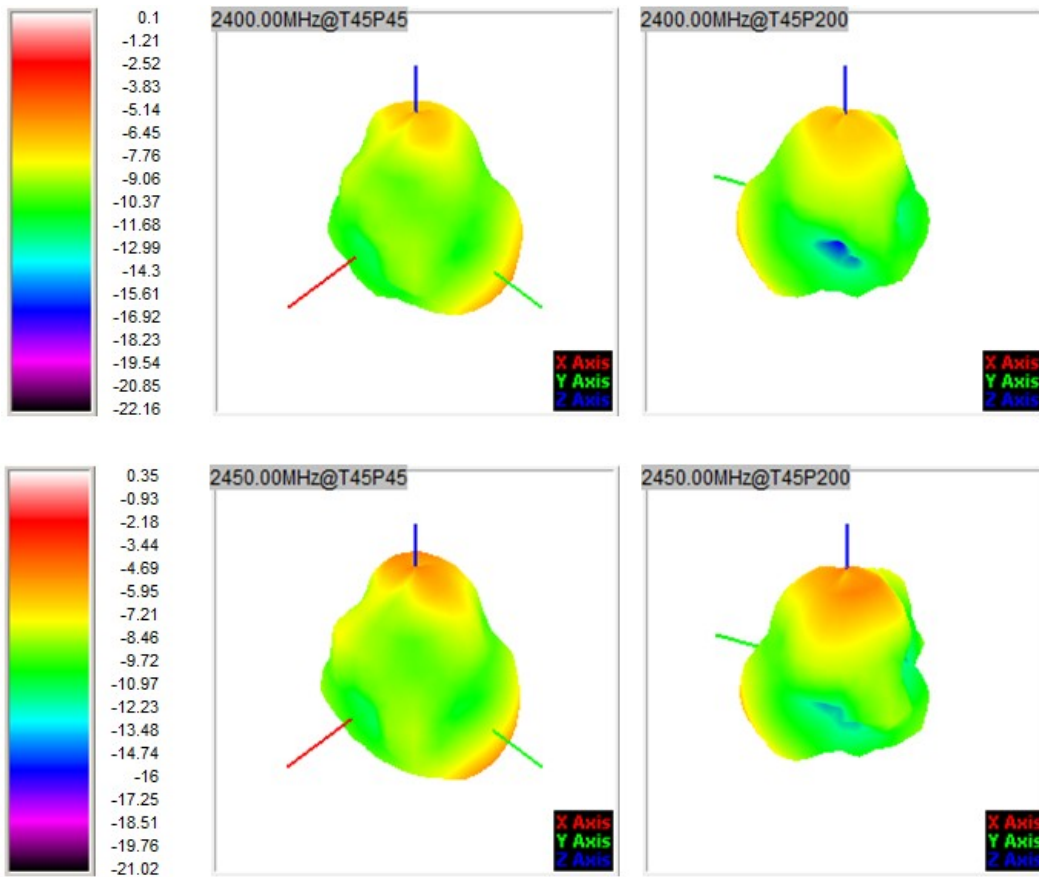
3、 WiFi antenna measurement

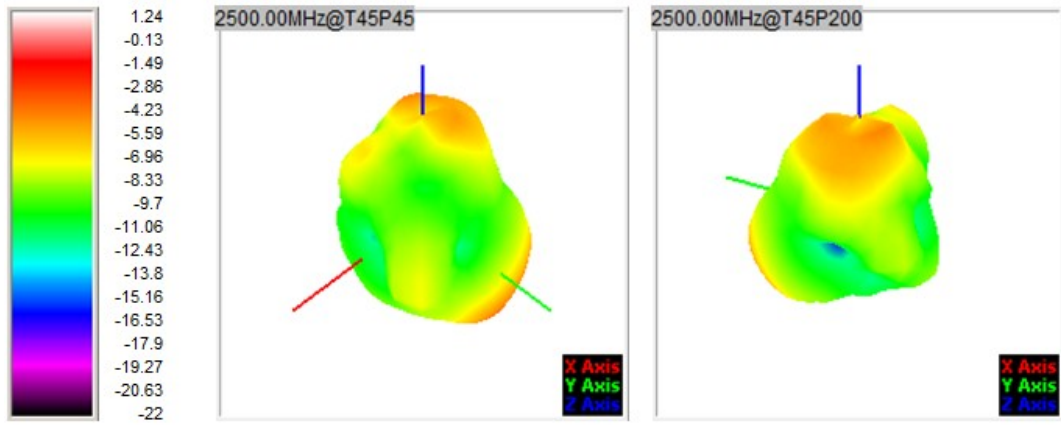


4. Antenna gain and efficiency

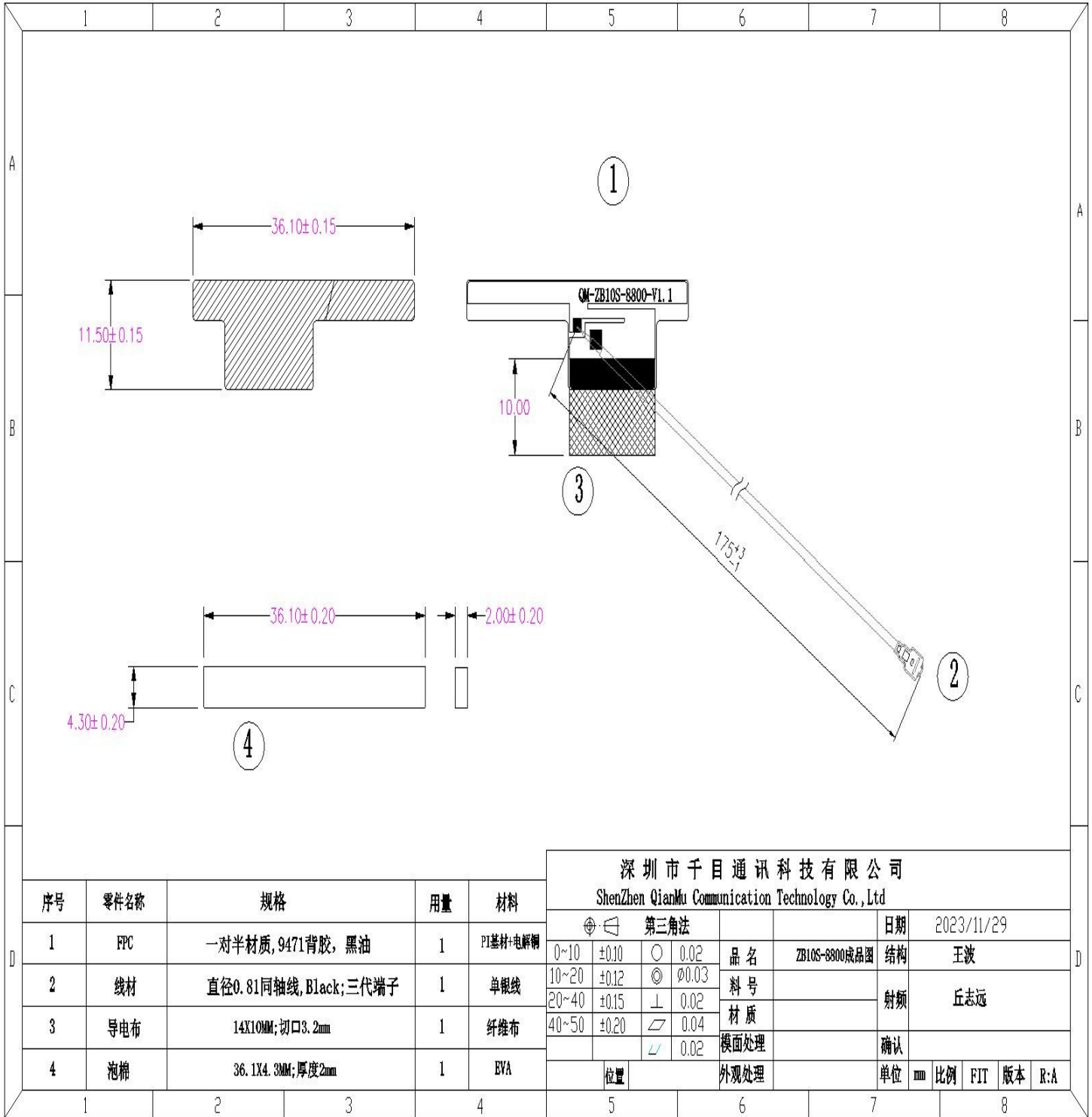
FETUKEII											
Frequency ID	1	2	3	4	5	6	7	8	9	10	11
Frequency (MHz)	2400.0	2410.0	2420.0	2430.0	2440.0	2450.0	2460.0	2470.0	2480.0	2490.0	2500.0
Point Values											
Ant. Port Input Pwr. (dBm)	0.00	0.00	0.00	0.00	0.00	0.00	0.00	0.00	0.00	0.00	0.00
Tot. Rad. Pwr. (dBm)	-6.36	-6.40	-6.33	-6.11	-6.07	-5.78	-5.83	-5.99	-5.91	-5.70	-5.64
Peak EIRP (dBm)	0.10	-0.12	-0.33	-0.16	0.05	0.35	0.31	0.33	0.59	0.99	1.24
Directivity (dBi)	6.47	6.28	5.99	5.96	6.12	6.10	6.15	6.32	6.50	6.69	6.88
Efficiency (dB)	-6.36	-6.40	-6.33	-6.11	-6.07	-5.78	-5.83	-5.99	-5.91	-5.70	-5.64
Efficiency (%)	23.10	22.90	23.30	24.50	24.70	26.50	26.10	25.20	25.70	26.90	27.30
Gain (dBi)	0.10	-0.12	-0.33	-0.16	0.05	0.35	0.31	0.33	0.59	0.99	1.24
NHPRP $\pm\pi/4$ (dBm)	-8.24	-8.30	-8.26	-8.08	-8.09	-7.82	-7.88	-8.02	-7.90	-7.66	-7.58
NHPRP $\pm\pi/6$ (dBm)	-9.73	-9.82	-9.79	-9.63	-9.66	-9.40	-9.47	-9.62	-9.52	-9.28	-9.21
NHPRP $\pm\pi/8$ (dBm)	-10.88	-10.99	-10.99	-10.83	-10.87	-10.62	-10.71	-10.87	-10.79	-10.56	-10.50
Upper Hem. PRP (dBm)	-9.30	-9.28	-9.21	-9.05	-9.06	-8.83	-8.94	-9.12	-9.04	-8.87	-8.83
Lower Hem. PRP (dBm)	-9.45	-9.55	-9.46	-9.20	-9.11	-8.74	-8.75	-8.89	-8.79	-8.55	-8.48
Upper Hem. PRP (%)	11.74	11.80	11.99	12.45	12.42	13.08	12.77	12.24	12.47	12.99	13.10
Lower Hem. PRP (%)	11.36	11.10	11.31	12.02	12.28	13.38	13.33	12.92	13.20	13.96	14.20

5. Antenna pattern and Apple map





6. Structural drawings of WiFi antenna



深圳市千目通讯科技有限公司									
ShenZhen QianMu Communication Technology Co., Ltd									
D	序号	零件名称	规格	用量	材料	第三角法		日期	2023/11/29
	1	FPC	一对半材质, 9471背胶, 黑油	1	PI基材+电解铜	0~10 ±0.10	○ 0.02	品名	ZB10S-8800成品图
	2	线材	直径0.81同轴线, Black; 三代端子	1	单根线	10~20 ±0.12	◎ ∅0.03	料号	
	3	导电布	14X10MM; 切口3.2mm	1	纤维布	20~40 ±0.15	⊥ 0.02	材质	射频
	4	泡棉	36.1X4.3MM; 厚度2mm	1	EVA	40~50 ±0.20	∇ 0.04	模面处理	确认
						∟ 0.02	外观处理	单位	mm 比例 FIT 版本 R:A