

深圳市千目通讯科技有限公司

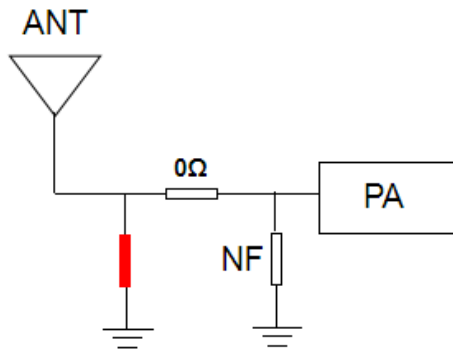
Shenzhen Qianmu Communication Technology Co.,Ltd.

Antenna acknowledgement

Applicable model	Q2K		
client	Shenzhen peicheng technology co., ltd		
Specification description			
	Product content	specifications	Customer material code
Specification description	WIFI antenna	FPC/ Black/Character QM-Q2K-V1.0+ Third-generation terminal wire /φ0.81*175mm+ conductive cloth	
Change resume			
serial number	date	version	Brief description of changes
one	2022-04-29	V1.0	New project
2			
three			

Supplier sample confirmation					
research and development	structure	check	decide		
			PASS FAIL		
Customer sample confirmation					
electron	structure	project	purchase	quality	check
Reasons for rejection or other precautions:					

1、 Matching circuit -WIFI antenna



The original matching circuit has not changed.

2、 Active data

	WIFI2400~2500Mz 802.11b 11Mbps		
Channel	one	six	11
TRP	14.19	14.72	14.68
TIS	-80.22	-80.09	-80.7

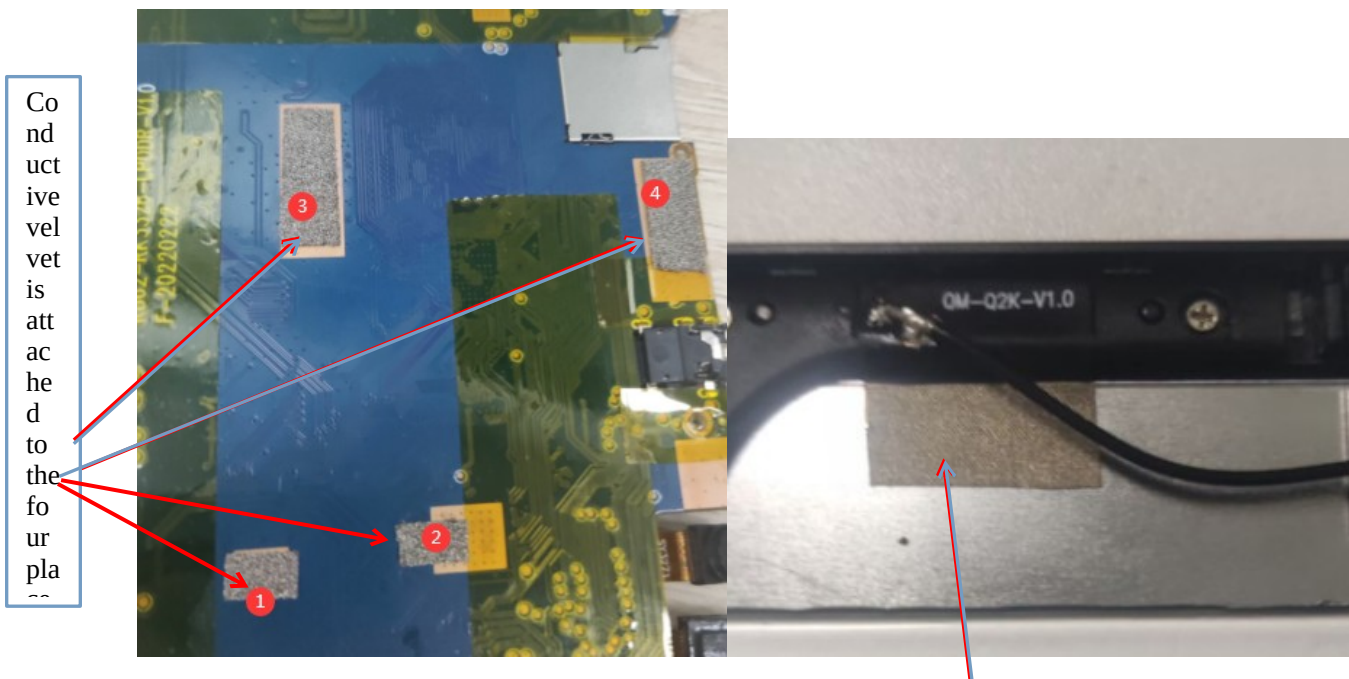
3、 Antenna efficiency and gain

FETUKEJI											
Frequency ID	1	2	3	4	5	6	7	8	9	10	11
Frequency (MHz)	2400.0	2410.0	2420.0	2430.0	2440.0	2450.0	2460.0	2470.0	2480.0	2490.0	2500.0
Point Values											
Ant. Port Input Pwr. (dBm)	0.00	0.00	0.00	0.00	0.00	0.00	0.00	0.00	0.00	0.00	0.00
Tot. Rad. Pwr. (dBm)	-4.04	-4.04	-4.00	-3.77	-3.80	-3.55	-3.68	-3.96	-3.94	-3.80	-3.77
Peak EIRP (dBm)	0.19	0.45	0.70	1.01	1.08	1.30	1.20	0.69	0.44	0.29	0.21
Directivity (dBi)	4.22	4.49	4.70	4.77	4.88	4.86	4.87	4.65	4.38	4.09	3.98
Efficiency (dB)	-4.04	-4.04	-4.00	-3.77	-3.80	-3.55	-3.68	-3.96	-3.94	-3.80	-3.77
Efficiency (%)	39.50	39.40	39.80	42.00	41.70	44.10	42.90	40.10	40.40	41.70	42.00
Gain (dBi)	0.19	0.45	0.70	1.01	1.08	1.30	1.20	0.69	0.44	0.29	0.21
NHPRP ±Pi/4 (dBm)	-5.71	-5.72	-5.69	-5.46	-5.49	-5.24	-5.36	-5.63	-5.59	-5.44	-5.40
NHPRP ±Pi/6 (dBm)	-7.58	-7.59	-7.56	-7.31	-7.34	-7.09	-7.21	-7.48	-7.44	-7.27	-7.21
NHPRP ±Pi/8 (dBm)	-8.98	-8.99	-8.96	-8.71	-8.73	-8.48	-8.61	-8.87	-8.82	-8.63	-8.56
Upper Hem. PRP (dBm)	-7.08	-7.15	-7.09	-6.85	-6.93	-6.67	-6.84	-7.13	-7.08	-6.88	-6.81
Lower Hem. PRP (dBm)	-7.01	-6.97	-6.94	-6.71	-6.69	-6.46	-6.54	-6.83	-6.83	-6.74	-6.75
Upper Hem. PRP (%)	19.58	19.30	19.55	20.66	20.27	21.53	20.69	19.37	19.60	20.49	20.85
Lower Hem. PRP (%)	19.90	20.11	20.21	21.33	21.41	22.59	22.19	20.76	20.76	21.19	21.15

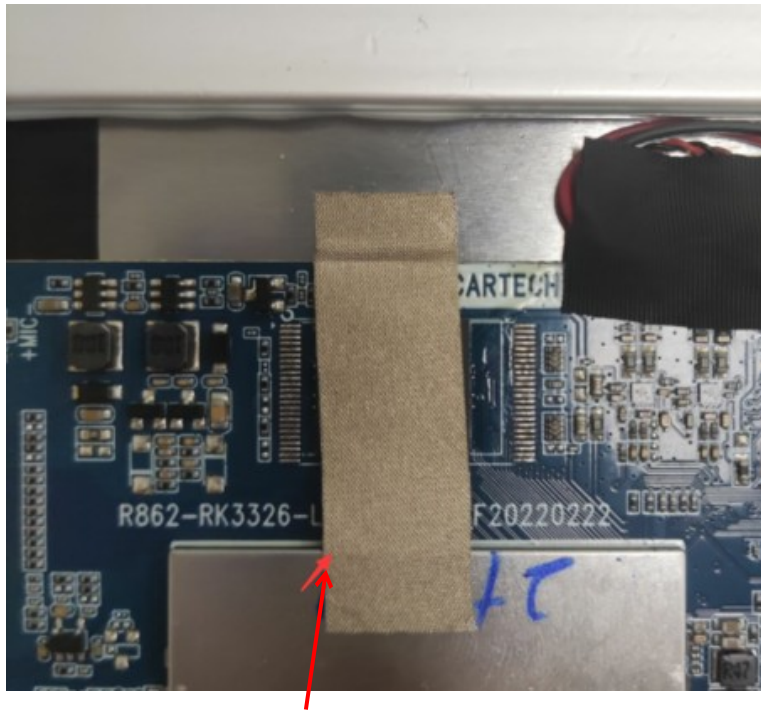
4、WIFI measured map



5、Schematic diagram of environmental treatment and antenna placement



Stick conductive cloth on the copper leakage area of the antenna and ground the screen.



Conductive cloth is attached here, and the motherboard and screen are grounded.

5. structural drawings

