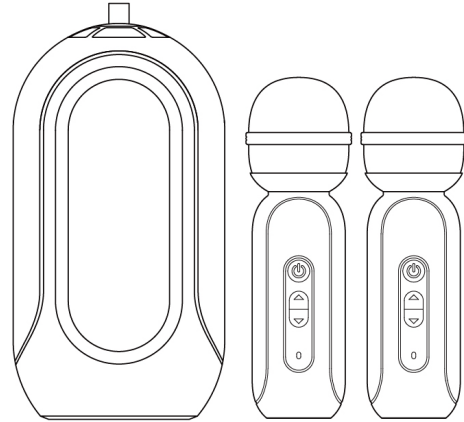


K歌蓝牙音箱 & 2个话筒

F68炫彩音箱



快速入门指南

前言

感谢您购买我司产品,使用本产品前,请仔细阅读本说明书,请您务必保管好此说明书方便下次查阅。
所有内容经过本公司细心编写,如有印刷与遗漏问题或错误敬请谅解。

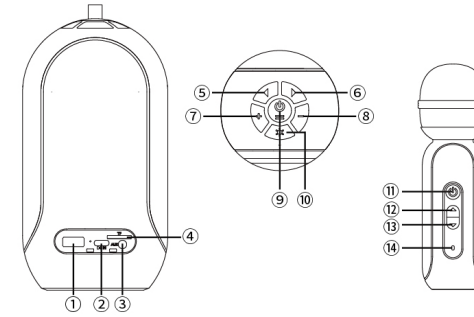
注意事项

- 不要在极热极冷、多尘和潮湿的环境中使用本机。
- 使用时勿摔落、撞击、剧烈震动。
- 机体周围应保持适度通风,否则容易引起机内温度升高,最终损坏线路。
- 当移动本机装置时,先关机、断开与其它设备相应的连接线。
- 音箱表面和扬声器应避免接触腐蚀性液体和气体,不宜长期放置于阳光直射处。如有灰尘可定期用洁净的软布清理,如有污渍,可用不含强化剂的清洁剂擦拭。
- 切勿用力按压开关和其他器件。
- 如机器突然发生冒烟或者其他异常现象,请迅速关机、拔出充电插头,避免引起意外事故。
- 因产品的性能和功能而发生的变化,将不另行通知。
- 本产品无防尘、防潮和防水功能。
- 请勿擅自打开或任意拆卸本机,以免发生危险。

常见问题处理

- 开机后如果指示灯没有亮起,请检查音响电量是否充足,或是将音响连接到5V/1A电源上进行充电,充电时间大约在3-4小时。
- 麦克风没有声音,可能是电源没有打开,模式不正确,或者音量没有调整请调节好麦克风音量。
- 如果是音响没有混响,可能是混响开关已关闭请打开混响开关。
- 如果麦克风有噪音,可能是因为环境噪音,信号干扰,话筒靠喇叭太近等,请重新调试麦的方向。
- 如果蓝牙播放中断,可能是因为蓝牙距离太远,或是手机和扩音器之间有障碍物,影响信号的传输,请靠近连接的手机,避开障碍物。
- 如果蓝牙无法连接,可能是因为距离太远,有障碍物,或是被其他手机连接,请靠近手机避开障碍物,断开连接的手机。
- 如果无法充电,检查充电器是否正常,音响充电时候,充电口的红色指示灯是否亮起。

功能示意图



- ① USB接口
- ② Type-C充电口
- ③ 音频功能
- ④ TF卡接口
- ⑤ 上一曲
- ⑥ 下一曲
- ⑦ 音箱加声音
- ⑧ 音箱减声音
- ⑨ 长按开机/关机,短按暂停/播放,双击切换模式
- ⑩ 公仔亮灯
- ⑪ 长按开机/关机,短按暂停/播放
- ⑫ 短按上一曲,双击消原音/恢复原唱,长按音量+
- ⑬ 短按下一曲,双击变声,长按音量-
- ⑭ 指示灯

注:话筒开机默认连回上次的设备,如果10秒钟内没有找到上一个设备,就会进入新的配对连接。

功能操作说明

- 长按开机键开机,语音提示“开机,蓝牙模式”
- 打开手机蓝牙并搜索到“F68”后配对连接,连接上后可以听到设备发出连接成功提示音。
- F68话筒开机后自动配对F68音箱,未配对时蓝灯快闪,配对成功蓝牙蓝灯常亮。
注:设备与手机连接一次后,蓝牙具有记忆功能,开机后会自动连接,如需断开,可通过手机设置断开蓝牙。如果只听音乐,可将麦克风音量调到最小。
- 在关机状态下长按开关机键,产品自动开机,在没有插入TF卡时,默认进入蓝牙模式,语音提示音为“蓝牙模式”再长按开/关机键关机。
- 将TF卡/U盘插入设备中,本机将自动播放TF卡/U盘中的音乐。
- (1) 插入AUX外接音频线音响会自动进行后插优先播放,并且有提示音。
(2) 当AUX/TF卡都同时插入,可以通过短按“⑨”按键切换。
- 通过设备控制面板上的按键可以调整话筒,伴奏,混响的音量。
- 用标配的充电线连接充电器进行充电,充电时红灯常亮,充满电时灯灭。

基本参数

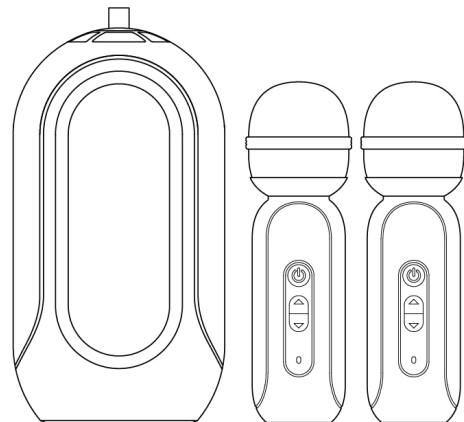
产品型号: F68 输出功率: 10W
蓝牙版本: 5.3版本
输出功率: 10mw(耳机输出) 10W(喇叭输出)
工作电压: 3.7V 充电电压: DC 5V=1A
频率范围: 20Hz-20kHz
混响模式: 回声混响 电源: 内置锂电池
电源适配器: DC5V<1A(可与手机充电器通用)

申明

我们无法控制用户对这本手册可能造成的误解,因此,本公司将不对在使用本手册过程中可能出现的意外损坏负责,并不对因使用产品而引起的第三方索赔负责。

Bluetooth Speaker & 2 microphones

F68 LED color speaker



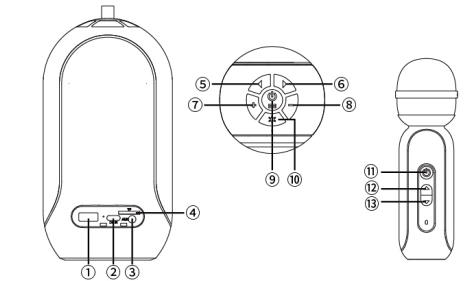
Quick start Guide

Thank you for buying our products. Before using this product, please read this manual carefully. Please be sure to keep this manual for your next reference. All contents have been carefully written by our company.

Matters needing attention

- Do not use this machine in extremely hot and cold, dusty and humid environment.
- Do not fall, impact, violent vibration when using.
- Proper ventilation should be maintained around the body, otherwise it is easy to cause the temperature in the machine to rise, and eventually damage the line.
- When moving the device, first shut down and disconnect the corresponding connection line with other devices.
- The speaker surface and speaker should avoid contact with corrosive liquids and gases, and should not be placed in direct sunlight for a long time. If there is dust, it can be cleaned regularly with a clean soft cloth. If there is a stain, it can be wiped with a cleanser without strong agent.
- Do not press switches and other devices.
- If the machine suddenly smokes or other abnormal phenomena, please shut down quickly and pull out the charging plug to avoid causing it an accident.
- Changes due to the performance and functionality of the product will be made without prior notice.
- This product has no dustproof, moisture-proof and waterproof function.
- Do not open or disassemble the machine without authorization to avoid danger.

Functional diagram



- ① USB port
- ② Type-C charging port
- ③ Audio function
- ④ TF card interface
- ⑤ the previous song
- ⑥ the next song
- ⑦ Increase music volume
- ⑧ Decrease music volume
- ⑨ Long Press: power ON/OFF, Short Press: Play/Pause, Double click toggle mode
- ⑩ The doll LED lights up
- ⑪ Long Press: power ON/OFF, Short Press: Play/Pause
- ⑫ Short Press previous song, Double click Cancel/Restore, Long Press hold Volume +
- ⑬ Short next previous song, Double Press sound variation, Long Press hold Volume-

Note: By default, the microphone is connected back to the last device. If the previous device is not found within 10 seconds, it will enter a new pairing connection

Function operation instruction

- Long press the power button to power on, voice prompt "Bluetooth Mode"
- Turn on the Bluetooth of the mobile phone, search for "F68", and then pair the connection. After the connection is connected, you can hear the connection success tone
- Automatic pairing after F68 microphone is turned on. If the F68 speaker is not paired, the blue light flashes quickly Note: After the device is connected to the mobile phone once, the Bluetooth has a memory function, and it will be automatically connected after starting up. If you need to disconnect, Bluetooth can be disconnected through the phone Settings. If you only listen to music, you can turn the microphone volume to the minimum.
- When the TF card is not inserted, the product will enter Bluetooth mode by default, and the voice prompt tone is "Bluetooth mode". Then long press the On/Off key to shut down the product.
- Insert the TF card /U disk into the device, and the device will automatically play the music of the TF card /U disk.
- (1) Insert AUX external audio cable. The audio will be played automatically after insertion, and there will be a prompt tone
(2) When AUX/TF cards are inserted at the same time, you can switch by short pressing the "⑨" button.
- The volume of microphone, accompaniment and reverberation can be adjusted through the buttons on the device control panel.
- Use the standard charging cable to connect the charger for charging. When charging, the red light is steady on, and when it is fully charged, it is turned off.

Basic parameter

Product Model: F68
Output power: 10W
Bluetooth version: Version 5.3
Output power: 10mw(headphone output) 10W (speaker output)
Working voltage: 3.7V
Charging voltage: DC 5V=1A
Frequency range: 20Hz-20kHz
Reverberation mode: Echo reverberation
Power supply: built-in lithium battery-Power
Adapter: DC5V<1A(can be used with mobile phone charger)

This device complies with part 15 of the FCC Rules. Operation is subject to the following two conditions: (1) This device may not cause harmful interference, and (2) this device must accept any interference received, including interference that may cause undesired operation.

Any Changes or modifications not expressly approved by the party responsible for compliance could void the user's authority to operate the equipment.

Note: This equipment has been tested and found to comply with the limits for a Class B digital device, pursuant to part 15 of the FCC Rules. These limits are designed to provide reasonable protection against harmful interference in a residential installation. This equipment generates uses and can radiate radio frequency energy and, if not installed and used in accordance with the instructions, may cause harmful interference to radio communications. However, there is no guarantee that interference will not occur in a particular installation. If this equipment does cause harmful interference to radio or television reception, which can be determined by turning the equipment off and on, the user is encouraged to try to correct the interference by one or more of the following measures:

- Reorient or relocate the receiving antenna.
- Increase the separation between the equipment and receiver.
- Connect the equipment into an outlet on a circuit different from that to which the receiver is connected.
- Consult the dealer or an experienced radio/TV technician for help.

RF warning for Portable device: The device has been evaluated to meet general RF exposure requirement. The device can be used in portable exposure condition without restriction.