

 **备倍电科技(深圳)有限公司**
FAB-CHAIN SERVICE CO., LTD.

承认料
号

:Approval

P/N YE. L. XXX004050431

规格描述:

Item

Description

n

Wireless charging coil, magnetic piece diameter 50MM, coil size 42*1,
sensitivity 6.5UH 10 turns

0.08*105 strand covered wire, outlet 30MM, with adhesive backing

版本 Version

供应商:
Supplier

供货商
料号:
SuPPLI
ER P/N

深圳市鸿日昇威科技

备倍电科技(深圳)有限公司.

FAB-CHAIN SERVICE CO., LTD

深圳市宝安区石岩应人石创见工业园A栋5楼

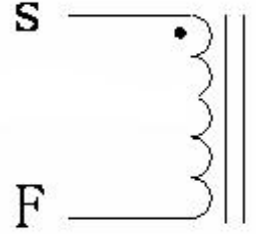
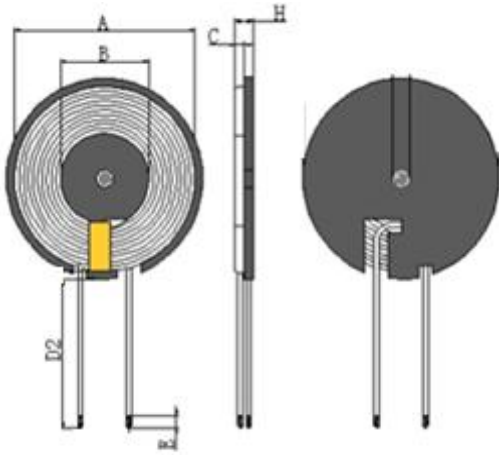
5th Floor, Building A chuangJian Industrial Park, Yingrenshi, Shiyang,

TEL: +86 755-26409987 FAX: +86 755-26402325

SPECIFICATION FOR APPROVAL

1. MECHANICAL DIMENSION (UNIT:mm)

2. SCHEMATICS:



A	B	C	D2	E	H				I
50±1.0	20.5±0.5	0.8±0.08	30±3	3±2	2.4MAX		Note: Add adhesive on the back of the magnetic sheet		

3. WINDING:

STEP	START-FINISH	WIRE TYPE	TURNS	TAPE	REMARK
N1	S-F	Silk covered wire Ø 0.08*105 2UEW	10TS (Ref)		

4. ELECTRICAL SPECIFICATION:

ITEM	L	DCR		HI-POT
TEST	coil plus magnet	S-F		
	100KHz, 0.25V	AT 25°C		
SPEC	6.5uH±10%	46mΩ Max		

5. BILF OF MATERIAL:

NO.	ITEM	MATERIAL SPECIFICATION	MANUFACTURER	SGS NO.
1	Silk covered wire	Hot air line 0.08*105 shares	NANJINGJINNINGCO,LTD	
2	Lead-free tin bar	Lead-free tin bar	QIAODO	
3	magnetic disk	Ø 50*0.8 manganese-zinc hard magnetic	TAIYI CO.,LTD	
4	glue	Yellow gum 9999	LIANCHENG CO.,LTD	
5	High temperature	8mm wide high temperature tape	CUDAK CO.,LTD	
6	Adhesive	Ø 49.5*0.1	CUDAK CO.,LTD	
7	black film	Ø 49.5*0.1	CUDAK CO.,LTD	

HRSW ELECTRONICS CO.,LTD	PART NO	
	TITLE	G50 slotting + adhesive backing 30mm
DRAWN BY	CHECKED BY	APPROVED BY

何伟华	韦立红	韦立红
-----	-----	-----