



User's Manual

Product Specifications

Product Name : 2+1 Magnetic Wireless Charger Stand

Product Model : WQ1

Materials : PC plastic + stainless steel + liquid Silicone Rubber

Dimensions : L89 x W74 x H148.5mm (excluding packaging)

Weight : 285g

Country of Origin : China

Warranty : 12 months for non-human-made/-natural disasters

Product Specifications

FCC ID : 2BDUX-WQ1

Phone : +886 905-400-200

Manufacturer : OneMore Co., Ltd

Address : No. 254, Ruibei Rd., Cianjhen Dist., Kaohsiung City 80647, Taiwan (R.O.C.)

Government Uniform Invoice number : 50930640

Product Specifications

USB-C1 Input : 5V-15V≈3A (Recommended to use with a 12V≈3A 36W charger or higher)

USB-C2 Output : 5V=1A (Max)

Compatibility : Connect the corresponding charging device to the side Type-C port to meet the charging needs of phones, headphones, and watches.

Total Output: 25W (Max)

Precautions

1. Do not disassemble or modify the product yourself.
2. Do not immerse in fire or water to avoid short circuits or electric shock.
3. Do not store the product in damp or corrosive environments.
4. Keep the product away from heat sources or charging near heat sources.
5. Do not allow water or other liquids to enter the product, causing damage.

Precautions

6. Keep out of reach of children to avoid accidents.
7. The maximum ambient temperature for product use is 35°C. The optimal ambient temperature for use is 0 to 25°C.
8. Expected climate conditions for product use: This product is suitable for use in tropical climates.
9. Do not attempt to repair the product yourself unless otherwise specified in the manual.

Precautions

10. Unplug the plug when not in use for a long time.
11. If the product encounters any problems, stop using it, disconnect the power, and contact customer service for assistance.

Product List

- Allite WQ1 2+1 Magnetic Wireless Charging Stand x 1
- Allite 1.5M Type-C to Type-C liquid Silicone Rubber PD Fast Charging Cable x 1
- User Manual x 1

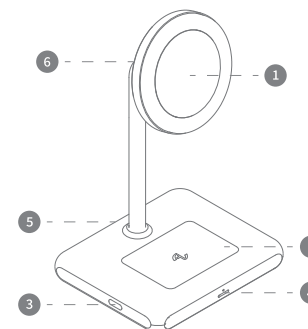
型號名稱: 2+1 Magnetic Wireless Charger Stand		型號/型號: WQ1		型號/型號: WQ1	
型號/型號: WQ1		型號/型號: WQ1		型號/型號: WQ1	
型號/型號: WQ1		型號/型號: WQ1		型號/型號: WQ1	
鉛	○	汞	○	鎘	○
鎘	○	鉻	○	六價鉻	○
鎘	○	鉻	○	六價鉻	○
鎘	○	鉻	○	六價鉻	○
鎘	○	鉻	○	六價鉻	○
鎘	○	鉻	○	六價鉻	○

Note 1: "Exceeding 0.1 wt %" and "exceeding 0.01 wt %" indicate that the percentage content of the restricted substance exceeds the reference percentage value of presence condition.

Note 2: "○" indicates that the percentage content of the restricted substance does not exceed the percentage of reference value of presence.

Note 3: The "-" indicates that the restricted substance corresponds to the exemption.

Product Instructions



Product Instructions

1. Qi2 Wireless Charging Pad
Compatible with iPhone 12 and above devices.
2. Wireless Charging Base
Compatible with wireless charging AirPods and Android headphones.
3. Side Type-C Port
Provides up to 5W wired charging for a third device.
4. Working Status Indicator Light - Circular
This indicator is used to show the operation status of the wireless charging pad above.

Product Instructions

- When powered on, it emits a steady white light; during normal charging, it displays a regular breathing light; when foreign objects are detected, it flashes rapidly.
5. Working Status Indicator Light-Long-shaped
This indicator shows the operation status of the wireless charging base below. When powered on, it emits a steady white light; during normal charging, it displays a regular breathing light; when foreign objects are detected, it flashes rapidly.

Product Instructions

6. Rear Type-C Port
Insert one end of the included Allite 1.5M Type-C to Type-C liquid Silicone Rubber PD Fast Charging Cable into a 36W or higher charger, and the other end into the rear Type-C port to power the stand.
7. Adjustable Angle Ball Head
It can be vertically rotated up to 45 degrees to adapt to different screen angles.
*Cannot be rotated horizontally.

Operating Instructions

1. Insert one end of the included Allite 1.5M Type-C to Type-C liquid Silicone Rubber PD Fast Charging Cable into a 36W or higher charger, and the other end into the rear Type-C port to power the stand. The working indicator light shows a steady white light.
2. Place the phone on the wireless charging pad above for magnetic wireless charging; place the headphones on the wireless charging base below for wireless charging; insert one end of the charging device into the side Type-C port

Operating Instructions

- and the other end into the device to be charged to provide power for the third device. The working indicator light shows a regular breathing light.
3. Once the device is fully charged, it can be removed. Disconnect the power when not in use for a long time.

FCC Warning

This device complies with part 15 of the FCC Rules. Operation is subject to the following two conditions:
(1) This device may not cause harmful interference, and (2) this device must accept any interference received, including interference that may cause undesired operation.
Any Changes or modifications not expressly approved by the party responsible for compliance could void the user's authority to operate the equipment.

Note: This equipment has been tested and found to comply with the limits for a Class B digital device, pursuant to part 15 of the FCC Rules. These limits are designed to provide reasonable protection against harmful interference in a residential installation. This equipment generates uses and can radiate radio frequency energy and, if not installed and used in accordance with the instructions, may cause harmful interference to radio communications. However, there is no guarantee that interference will not occur in a particular installation. If this

equipment does cause harmful interference to radio or television reception, which can be determined by turning the equipment off and on, the user is encouraged to try to correct the interference by one or more of the following measures:
-Reorient or relocate the receiving antenna.
-Increase the separation between the equipment and receiver.
-Connect the equipment into an outlet on a circuit different from that to which the receiver is connected.

-Consult the dealer or an experienced radio/TV technician for help.
This equipment complies with FCC radiation exposure limits set forth for an uncontrolled environment.
This equipment should be installed and operated with minimum distance 20cm between the radiator & your body.