



SOUNDBAR SPEAKER
MODEL: 4001976
USER MANUAL



Operation explanation:

Specifications :

Output: 320 Watts
 Driver Units: 5.25" x 2 + 2.5" x 2 + 3" x 2
 Frequency Response: 60Hz-20KHz
 Separation: ≥45dB
 S / N: ≥60dB
 Distortion: ≤1% (1K, 1W)
 Power supply: 100-240V~, 60/50Hz
 Dimensions: Soundbar: W611 x H93x D126(mm)
 Subwoofer: W170 x H295(903) x D235(mm)

Features:

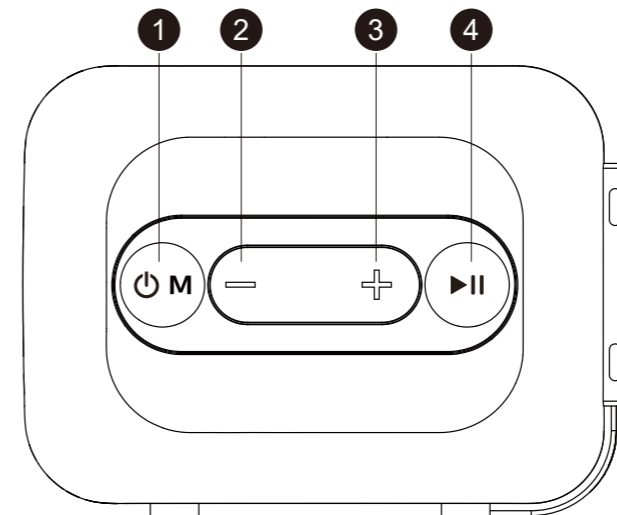
- Quality Soundbar with built-in amplifier
- Full audio spectrum performances, ideal for your favourite entertainment like Mp3, Mp4, CD/DVD movies and digital playbacks.
- Quality materials: Only the best components to recreate sound faithfully across all frequencies.

Package contents:

Soundbar	-----	1 pc
Subwoofer	-----	2 pc
Remote control	-----	1 pc
User manual	-----	1 pc
Audio input cord	-----	1 pc
Digital Optical Cable	-----	1 pc
Stand for Subwoofer	-----	2 set

NO.1

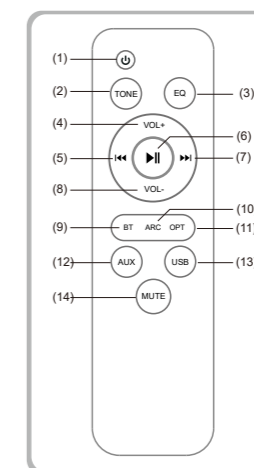
Button panel



1. The Speaker system is in "⏻" (stand by) mode when power on, with the LED is on. Please press the "⏻/M" to select appropriate source. Keeping the "⏻/M" key pressed for long to put it back in "⏻" (stand by) mode.
 ** You can toggle through the input modes by pressing the "⏻/M" key. "BT" is for Bluetooth Mode. "USB" is for USB mode. "AU" is for AUX Mode. "HD" is for ARC Mode. "OP" is for Optical Mode.
2. Volume-: Volume down.
3. Volume+: Volume up.
4. Play/Pause the songs.

NO.2

How to use the remote control



1. ⏻
2. TONE
3. EQ
4. VOL+
5. ⏮
6. ⏪
7. ⏩
8. VOL-
9. BT
10. ARC
11. OPT
12. AUX
13. USB
14. MUTE

1. ⏻: Power ON or Standby modes.
2. TONE: you can choose "TREBLE" and "BASS" "VOL+/-" means you can increase or decrease volume of "TREBLE" or "BASS".
3. EQ: NORMAL, CLASSIC, POP, ROCK, JAZZ.
4. VOL+: To increase the Volume by short or long press of VOL+.
5. ⏮: Play the previous song by pressing "⏮" not for AUDIO mode.
6. ⏪: Play/pause in USB/BT mode and MUTE in AUDIO mode.
7. ⏩: Play next song by pressing "⏩", not for AUDIO mode.
8. VOL-: To decrease the Volume by short or long press of VOL-.
9. BT: Bluetooth mode selection.
10. ARC: ARC mode selection.
11. OPT: OPTICAL mode selection.
12. AUX: AUX input mode selection.
13. USB: USB mode selection.
14. MUTE: Turn volume off. Press it again for unmute.

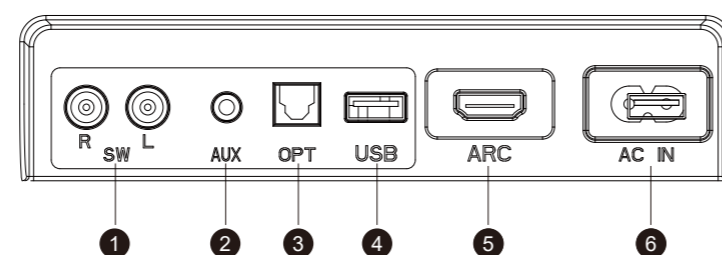
NO.3

BT Pairing Method

Turn on the sound bar and press the " M " button on the panel or the " source " button on the remote to switch to Bluetooth mode. The LED display screen shows " bt " flashing, indicating the Bluetooth search status. Turn on your Bluetooth device search, and select the Bluetooth name " 4001976 " to pairing. When your Bluetooth device is successfully paired with the sound bar, a long light of the display screen " bt " indicates successful connection and music can be played. When playing music, you can use the previous/next track, play/pause functions on the sound bar panel; You can disconnect the currently connected Bluetooth device by long pressing the " ⏪ " button on the remote or the sound bar panel.

Rear panel

Soundbar

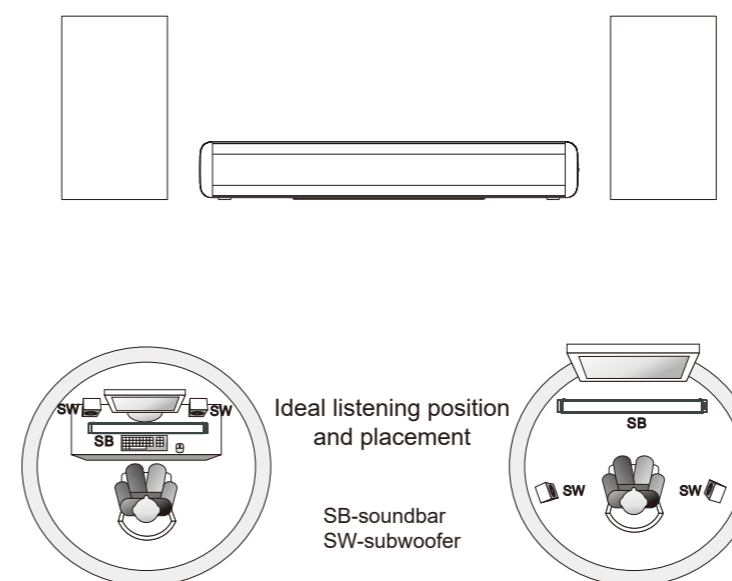


1. SW Out
Connect the Subwoofer speakers.
2. AUX Input
Input Connect to sound sources such as computer, CD player, MP3, etc.
3. Optical Input
4. USB Input
5. ARC Input
6. AC Power cord

***Do NOT use USB for charging devices which can cause damage to your external devices. Thank you.

NO.4

System connection diagram



Please Note:
 * Do not leave objects generating magnetism near the speakers.

NO.5

In use please pay attention to the following items:



*If the remote control cannot function, it is because the battery of remote control has been used up. Thank you.

NO.6



NO.7



SISTEMA DE AUDIO CON BARRA DE SONIDO

MODELO: 4001976

MANUAL DE USUARIO



FUNCIONAMIENTO:

Especificaciones

- Potencia: 320 vatios
- Bocinas: 5.25" x 2 + 2.5" x 2 + 3" x 2
- Respuesta de frecuencia: 60Hz-20KHz
- Separación: ≥45dB
- S/N: ≥60dB
- Distorsión: ≤1% (1K, 1W)
- Fuente de alimentación: 100-240V~, 60/50Hz
- Dimensiones: Barra de sonido: A611 x P93x L126 (mm)
- Subwoofer: A170 x P295 (903) x L235 (mm)

Funciones:

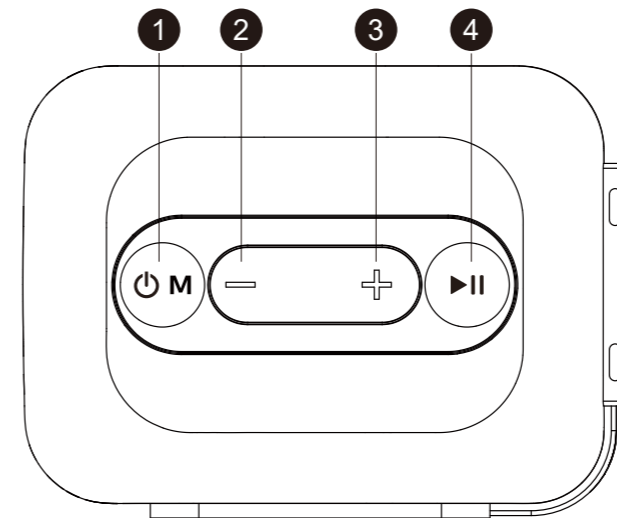
- Barra de sonido de alta calidad con amplificador incorporado
- Respuesta del espectro de audio completo, ideal para su entretenimiento favorito como Mp3, Mp4, películas CD/DVD y reproducciones digitales.
- Materiales de calidad: Solo los mejores componentes para recrear fielmente el sonido en todas las frecuencias.

Package contents:

Barra de sonido	-----	1 pc
Subwoofer	-----	2 set
Control remoto	-----	1 pc
Manual de usuario	-----	1 pc
Cable de entrada de audio	-----	1 pc
Cable óptico digital	-----	1 pc
Soporte de subwoofer	-----	1 pc

NO.1

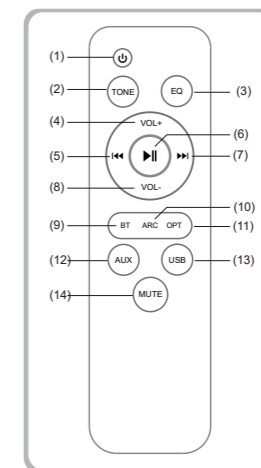
Panel de control



1. El sistema de altavoces está en modo "⏻" (en espera) cuando se enciende, con el LED encendido presione el botón "⏻/M" para seleccionar la fuente adecuada. Mantener pulsada la tecla "⏻/M" durante mucho tiempo para volver a ponerla en modo "⏻" (de espera).
** Puede alternar entre los modos de entrada pulsando la tecla "⏻/M".
"BT" es para el modo Bluetooth. "USB" es para el modo USB.
"AU" es para el modo AUX. "HD" es para el modo ARC.
"OP" es para el modo óptico.
2. Volumen-: Bajar volumen.
3. Volumen+: Sube el volumen.
4. Play/ Pause Reproducir/pausar las canciones.

NO.2

Como usar el control remoto



1. ⏻
2. TONE
3. EQ
4. VOL+
5. ⏮
6. ⏪
7. ⏩
8. VOL-
9. BT
10. ARC
11. OPT
12. AUX
13. USB
14. MUTE

1. ⏻: Modos de encendido o espera.
2. TONO: puede elegir "TREBLE" y "BASS" "VOL+/-" significa que puede aumentar o disminuir el nivel de "TREBLE" o "BASS".
3. ECUALIZACIÓN: NORMAL, CLÁSICA, POP, ROCK, JAZZ.
4. VOL+: Para aumentar el volumen presione o mantenga presionado VOL+.
5. ⏮: Reproduzca la canción anterior presionando "⏮" no para el modo AUDIO.
6. ⏪: Reproducir/pausar en modo USB/BT y MUTE en modo AUDIO.
7. ⏩: Reproduzca la siguiente canción pulsando "⏩", no para el modo AUDIO.
8. VOL-: Para disminuir el volumen presione o mantenga presionado VOL-.
9. BT: Selección del modo Bluetooth.
10. ARC: Selección del modo ARC.
11. OPT: Selección del modo ÓPTICO.
12. AUX: Selección del modo de entrada AUX.
13. USB: Selección del modo USB.
14. MUTE: Apague el volumen. Púlselo de nuevo para activar el sonido.

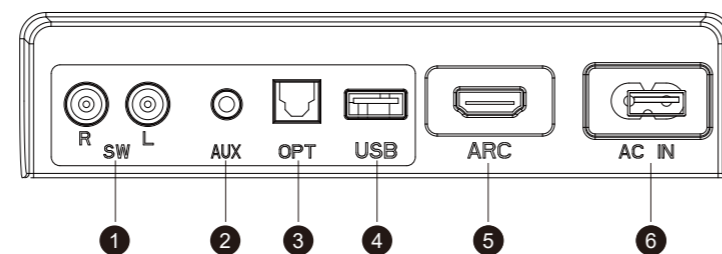
NO.3

Método de emparejamiento BT

Encienda la barra de sonido y presione el botón "M" en el panel o el botón "source" en el control remoto para cambiar al modo Bluetooth. La pantalla LED muestra "BT" parpadeando, lo que indica que el Bluetooth está en estado de emparejamiento. Active la búsqueda de dispositivos Bluetooth y seleccione el modelo "4001976" para emparejar. Cuando su dispositivo Bluetooth se ejecuta correctamente junto con la barra de sonido, una luz larga de la pantalla de visualización "BT" indica conexión exitosa y se puede reproducir música. Al reproducir música, puede usar la pista anterior/siguiente, las funciones de reproducción/pausa en la barra de sonido panel: Puede desconectar el dispositivo Bluetooth conectado actualmente Mantenga presionado el botón "⏩" en el control remoto o en el panel de la barra de sonido.

Panel posterior

Barra de sonido

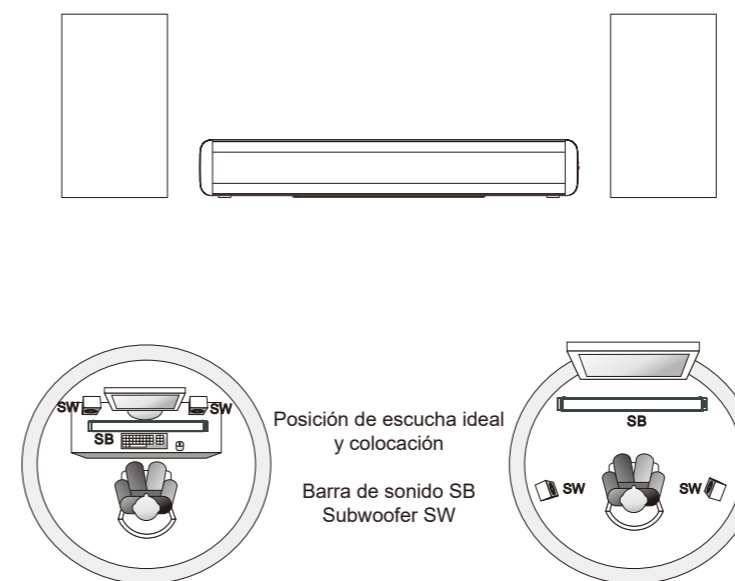


1. SW Out
Conecte los altavoces del subwoofer.
2. Entrada AUX conecta fuentes de sonido como computadora, reproductor de CD, MP3, etc.
3. Entrada óptica
4. Entrada USB
5. Entrada ARC
6. Cable de alimentación de CA

***** NO utilice USB para cargar dispositivos, esto puede causar daños a sus dispositivos externos. Gracias.**

NO.4

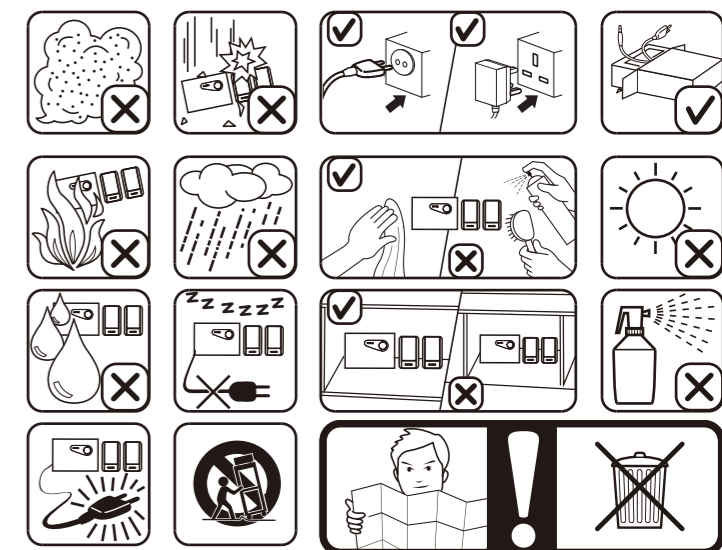
Diagrama de conexión del sistema



Please Note:
* No deje objetos que generen magnetismo cerca de los altavoces.

NO.5

En uso, preste atención a los siguientes elementos:



*If the remote control cannot function, it is because the battery of remote control has been used up. thank you.

NO.6



NO.7

FCC Statement

This equipment has been tested and found to comply with the limits for a Class B digital device, pursuant to part 15 of the FCC rules. These limits are designed to provide reasonable protection against harmful interference in a residential installation. This equipment generates, uses and can radiate radio frequency energy and, if not installed and used in accordance with the instructions, may cause harmful interference to radio communications. However, there is no guarantee that interference will not occur in a particular installation. If this equipment does cause harmful interference to radio or television reception, which can be determined by turning the equipment off and on, the user is encouraged to try to correct the interference by one or more of the following measures:

- Reorient or relocate the receiving antenna.
- Increase the separation between the equipment and receiver.
- Connect the equipment into an outlet on a circuit different from that to which the receiver is connected.
- Consult the dealer or an experienced radio/TV technician for help.

To assure continued compliance, any changes or modifications not expressly approved by the party.

Responsible for compliance could void the user's authority to operate this equipment. (Example- use only shielded interface cables when connecting to computer or peripheral devices).

This equipment complies with Part 15 of the FCC Rules. Operation is subject to the following two conditions:

- (1) This device may not cause harmful interference, and
- (2) This device must accept any interference received, including interference that may cause undesired operation.

FCC Radiation Exposure Statement:

The equipment complies with FCC Radiation exposure limits set forth for uncontrolled environment. This equipment should be installed and operated with **minimum distance 20cm** between the radiator and your body.