



**12" & 15" 2-WAY P.A. SPEAKER**  
models: 4001941 / 4001945  
**USER MANUAL**



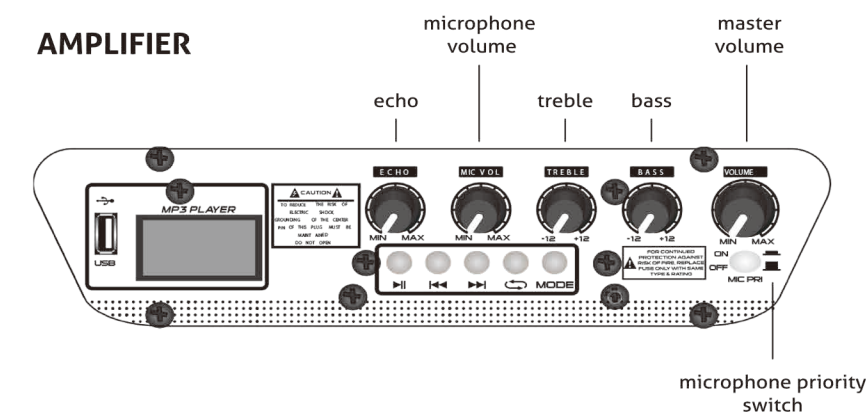
**PACKING CONTENTS**

- 1x speaker
- 1x remote control
- 1x user's guide
- 1x power cable
- 1x wired microphone
- 1x speaker tripod (4001941 tripod pack separately by extra carton)

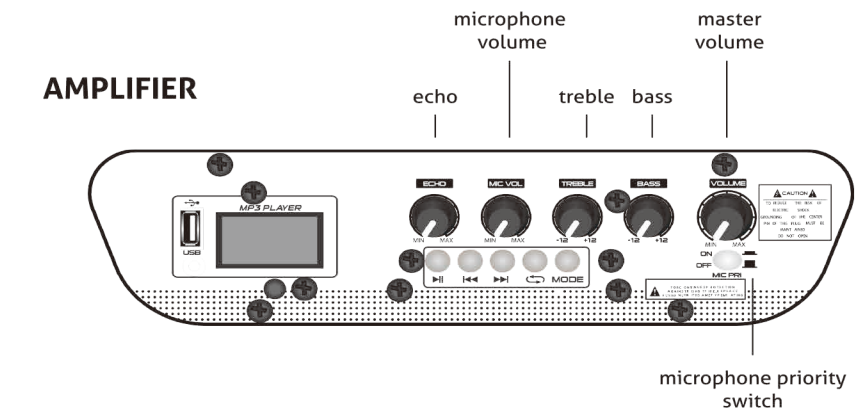
**SPECIFICATIONS**

MODEL	4001941	4001945
TYPE	active speaker with battery	active speaker with battery
AC INPUT	AC100-240V,50/60Hz	AC100-240V,50/60Hz
WOOFER	12"	15"
VOICE COIL	1.5" (38mm)	1.5" (38mm)
MAGNET	30Oz	30Oz
SENSITIVITY	93dB (+/-3dB)	95dB (+/-3dB)
FREQUENCY RESPONSE	50Hz-20KHz	50Hz-20KHz
TWEETER	25mm	25mm
POWER	100W	120W
FUNCTION	USB, FM, Bluetooth	USB, FM, Bluetooth
REMOTE CONTROL	Yes	Yes
BATTERY CAPACITY	12V, 5AH	12V, 5AH

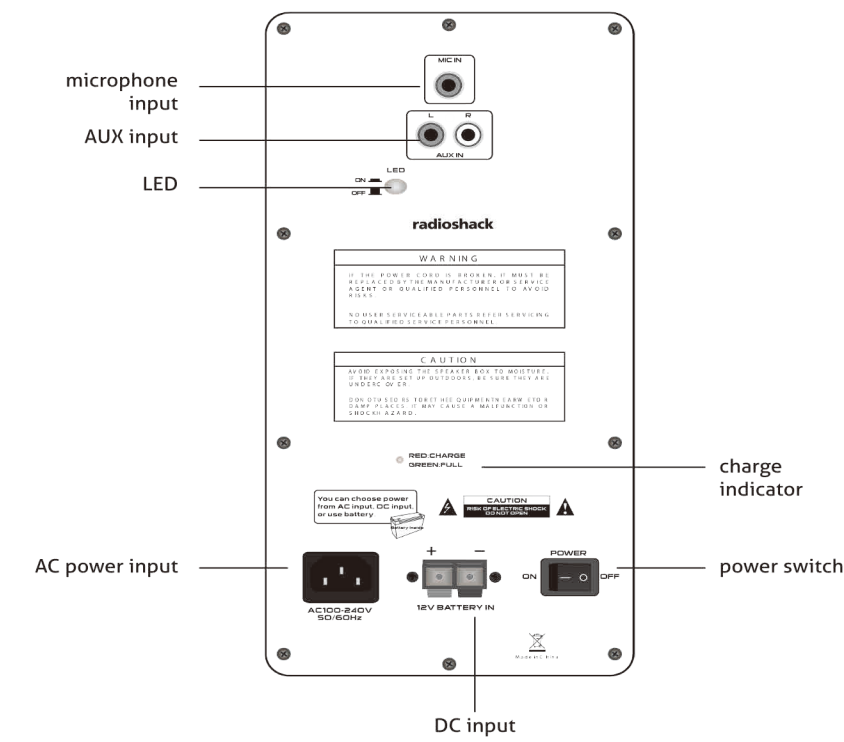
**4001941 CONTROL PANEL**



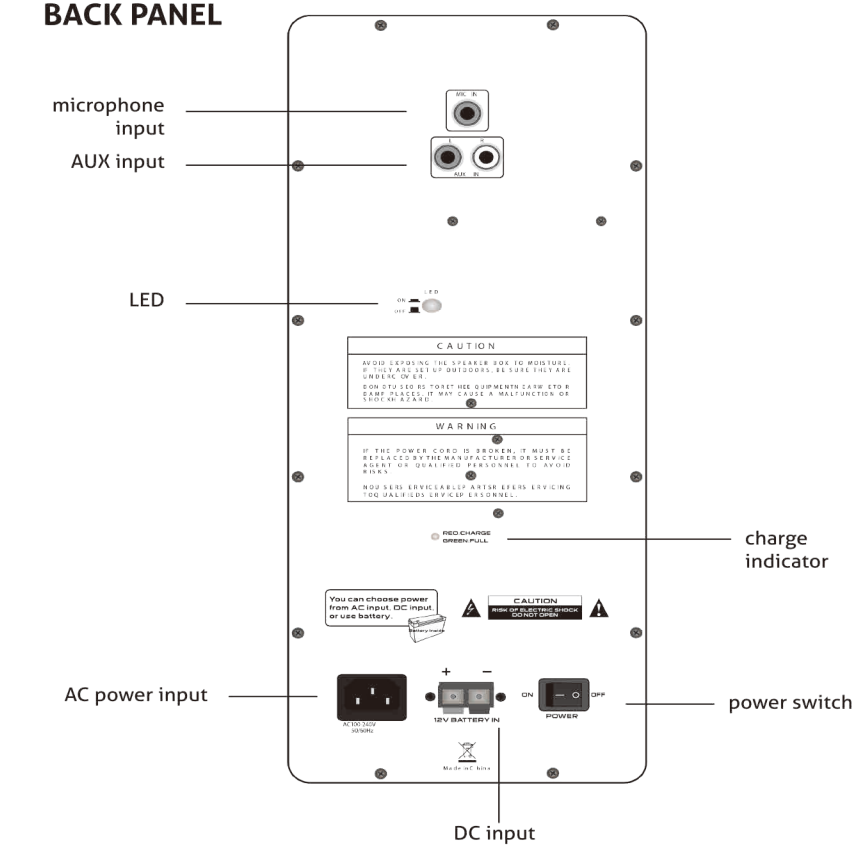
**4001945 CONTROL PANEL**



**BACK PANEL**

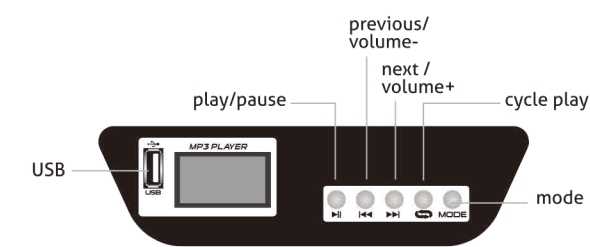


**BACK PANEL**



**UN 英文说明书 1941/1945  
511SSA**

### PLAYER CONTROLS



#### MODE

Select an operating mode, the options are: Bluetooth, AUX, USB and FM

#### PLAY/PAUSE:

- Press to play a song or pause while playing a song
- When you choose FM mode, when pressing this button it will automatically search the FM stations

#### CYCLE PLAY MODE:

press once to select a player mode, the options are:

- One: select this to play current song indefinitely
- All: with this option you can repeat all music

#### NEXT/VOLUME+:

- Press once to jump next song / press and hold to raise the volume level.
- In FM mode, press it to go to the next stations.

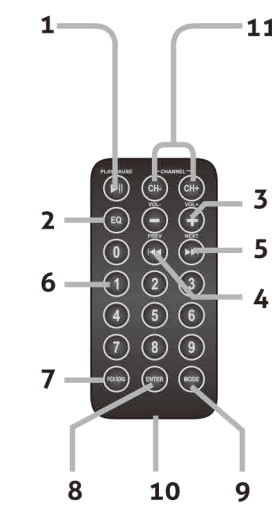
#### PREVIOUS/VOLUME-:

- Press once to jump previous song / press and hold to diminish the volume level.
- In FM mode, press it jump to the previous stations.

#### CONNECTION BLUETOOTH

1. To pair the speaker with a Bluetooth phone or audio device, press "MODE" repeatedly on the MP3 player until select this mode.
2. Put your phone or device to be used in Bluetooth device discovery mode.
3. When your phone or device shows the "RS 4001941 / RS 4001945" device, confirm the link.

### REMOTE CONTROL



1. Press to play a song or pause while playing a song. Program radio FM stations
2. In play mode press to set one equalizer mode
3. Vol+ / Vol-
4. Previous: Press once to jump previous song, press and hold to rewind
5. Next: Press once to jump next song, press and hold to fast-forward
6. Keys: Use this key to select the number of a desired track
7. Pick song: allows you to select the song you want to listen to. Ex: if you want to hear the song No.11, first press the number 11 then press this button
8. Enter: choose repeat mode
9. Model: select an operating modality, the options are SD/USB/FM radio/AUX, not included
10. Battery compartment (CR2025), not included
11. Select a FM frequency

#### CAUTION

- Avoid exposing the speaker box to moisture. If they are set up outdoors, be sure they are under cover.
- Do not use or store the equipment near wet or damp places. It may cause a malfunction or shock hazard.
- If the power cord is broken, it must be replaced by the manufacturer or service agent or qualified personnel to avoid risks
- To reduce the risk of fire or electric shock do not expose this equipment to rain or moisture.
- Clean only with a soft, dry cloth

#### CAUTION:

This device complies with Part 15 of the FCC Rules. Operation is subject to the following two conditions:

- (1) this device may not cause harmful interference, and
- (2) this device must accept any interference received, including interference that may cause undesired operation

This device has been tested and found to comply with the limits for a Class B digital device, pursuant to Part 15 of the FCC Rules. These limits are designed to provide reasonable protection against harmful interference in a residential installation. This device generates, uses and can radiate radio frequency energy and, if not installed and used in accordance with the instructions, may cause harmful interference to radio communications.

However, there is no guarantee that interference will not occur in a particular installation. If this device does cause harmful interference to radio or television reception, which can be determined by turning the device off and on, the user is encouraged to try to correct the interference by one or more of the following measures:

- Reorient or relocate the receiving antenna.
- Increase the separation between the device and receiver.
- Connect the device into an outlet on a circuit different from that to which the receiver is connected.
- Consult the dealer or an experienced radio/TV technician for help

Changes or modifications not expressly approved by the party responsible for compliance could void the user's authority to operate the equipment