

Appendix IV EUT Internal Photographs

Photo 6 Internal of EUT



Photo 7 Appearance of PCB



Photo 8 Internal of EUT

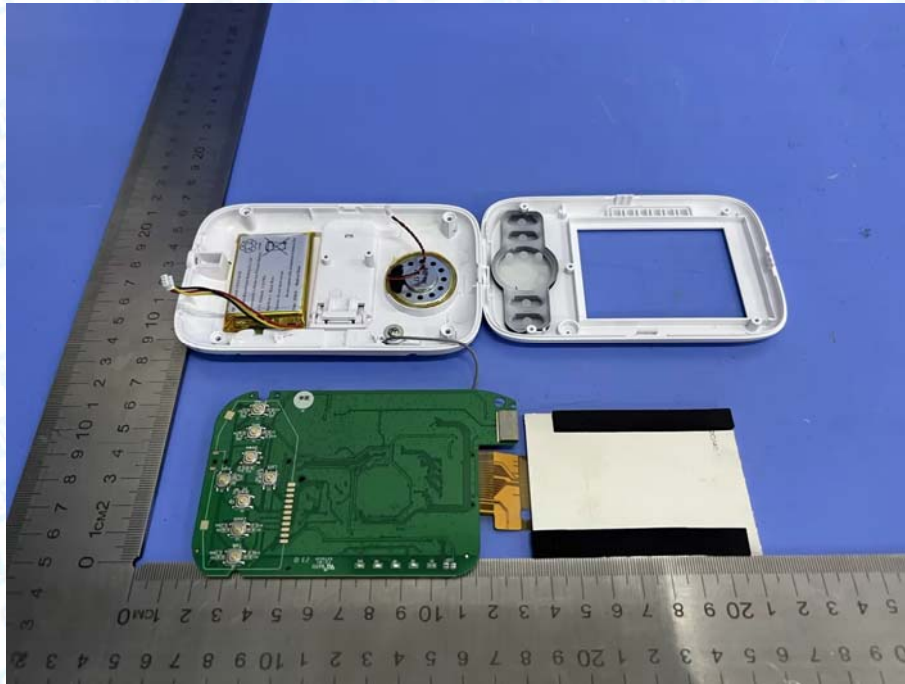


Photo 9 Appearance of Battery

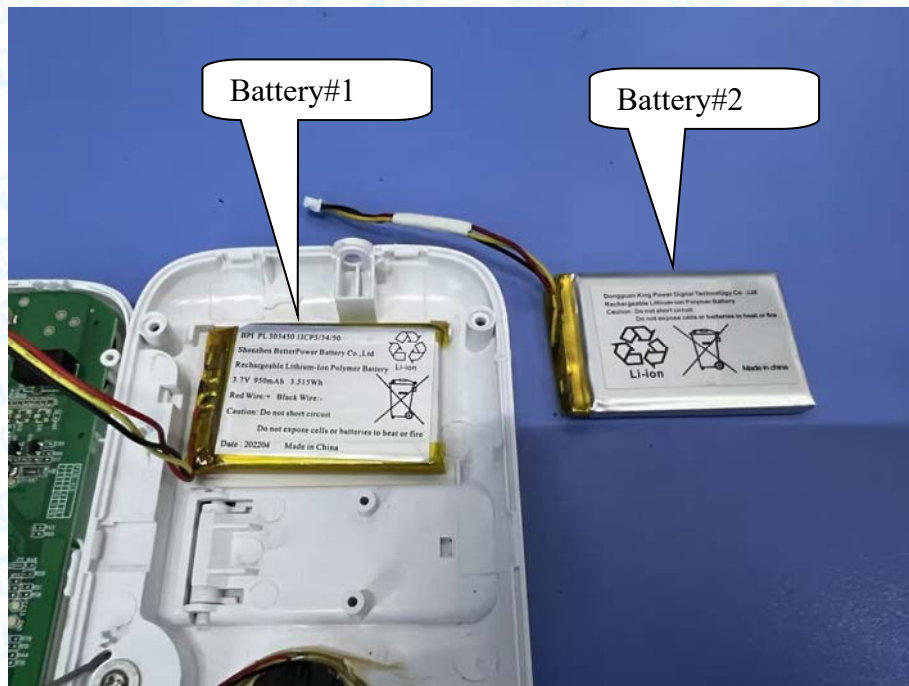


Photo 10 Appearance of Battery

