


## User Manual



Model: HB6589L

www.hellobaby.net.cn  
service@hellobaby.net.cn

Ver: 1.0

Thank you for purchasing the HB6589L Baby Monitor. With our baby monitor, you could see and hear your baby sleeping or playing in their room anytime.

Please retain your original dated sales receipt for your records. For warranty service of your product, you will need to provide a copy of your dated sales receipt to confirm warranty status. Registration is not required for warranty coverage.

**PLEASE MAKE SURE THE FOLLOWING INCLUDED IN YOUR PACKAGE**

Parent unit x 1	Camera unit x 1	Power adapter x 2
User manual x 1	Wall-mounting kit x 1	

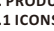
**1. SAFETY INSTRUCTIONS**  
**Caution:** Keep the device away from children.  
**Strangulation hazard:** Children have STRANGLLED in cords. Keep this cord out of the reach of children (more than 3ft (0.9m) away). Never use extension cords with AC Adapters. Only use the AC Adapters provided.  
**Choking hazard:** This product contains small parts, please be careful when unpack and assemble the product.  
**Read and keep to instructions:** All the safety and operating in instructions should be read before the video baby monitor is operated. This product cannot replace responsible adult supervision.  
**Water and moisture:** The unit should not be exposed to rain, moisture, dripping or splashing. No objects filled with liquid should be placed on top of, or beside the product, such as a bookcase or drawer that may impede air flow.  
**Do not:** Attempt to repair or adjust any of the electrical or mechanical functions of the unit. Otherwise, the guarantee will be made void.  
**Ventilation:** This baby monitor should not be used on a bed, sofa, rug or similar surface that may block the ventilation openings, or be placed in an enclosed area such as a bookcase or drawer that may impede air flow.  
**Keep away from sources of heat:** This unit should not be exposed to direct heat sources such as a candle, radiator, heat register, stove or other appliance that emits heat. The unit should not be left in direct sunlight.  
**Power source:** This unit should only be used with the AC power adapters included in this package (rated SV DC 1.2A).  
**Damage requiring service:** This unit should be serviced by qualified personnel only when:  
1. Objects have fallen or liquid has been spilled into the product.  
2. The units have been exposed to rain.  
3. The units do not appear to operate normally or exhibits a distinct change in performance.  
4. The units have been dropped or the enclosure damaged.

**2. WARRANTY TERMS**  
We offer one-year warranty from the original purchase date against defects in workmanship and materials. If you have warranty or support issues, please contact our after-sales service via email.

**3. INSTALLATION GUIDELINES**  
\* To use your parent unit and camera unit together, you have to establish a radio link between them, and the range will be affected by environmental conditions.  
\* Any large metal object, like a refrigerator, a mirror, a filling cabinet, metallic doors or reinforced concrete between the baby and parent unit may block the radio signal.  
\* The signal strength may also be reduced by other solid structures, like walls, or by radio or electrical equipment, such as TV, computers, cordless or mobile phones, fluorescent lights or dimmer switches.  
\* Use of other 2.4GHz product, such as wireless networks (Wi-Fi routers), Bluetooth systems, or microwave ovens, may cause interference with this product, so keep the baby monitor away at least 5ft (1.5m) from such products, or turn them off if they cause interferences.

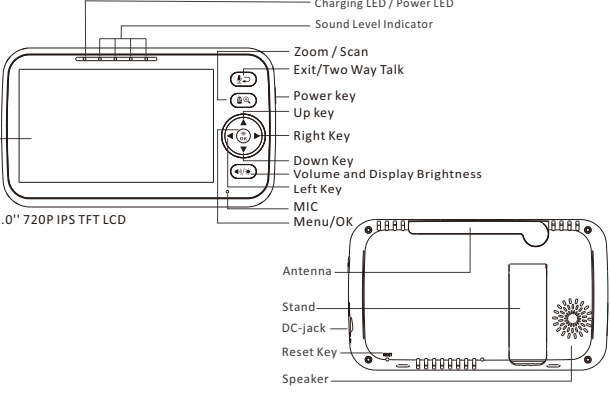
**4. PLACEMENT OF THE BABY MONITOR**  
The camera can be placed on the desktop or mounted on the wall. Don't place baby monitor on soft quilts or blankets or in the corners of cupboards, shelves, etc; Keep the baby monitor away from heat sources such as radiators, chimneys, cookers and direct sunlight; Keep the baby unit away from TV sets, microwave oven and radios. If interference occurs, move the camera to elsewhere.  
\* Place the camera within 6 feet (2 meters) of the area being monitored for optimum performance.

**5. GETTING STARTED**  
**5.1 TURN ON THE BABY UNIT:**  
1. Insert the DC plug of the power adapter into the DC jack in the rear of the Baby Unit.  
2. Insert the other end of the power adapter into a suitable electrical outlet.  
3. Press and hold the power key 3 seconds on the side of the parent unit.  
4. Keep the baby unit plugging in.  
**5.2 TURN ON THE PARENT UNIT:**  
1. Insert the DC plug of the power adapter into the DC jack in the side of the parent unit.  
2. Insert the other end of the power adapter into a suitable electrical outlet.  
3. Press and hold the power key 3 seconds on the side of the parent unit.  
4. Once parent unit is on, the power LED will light up and the image will display on the LCD.  
**Note:** When the product is in use, the antenna needs to be pulled up, so that the signal is the best.  
**5.3 INFRARED NIGHT VISION (AUTOMATIC)**  
The infrared night vision function allows the camera to pick up images in dark or low

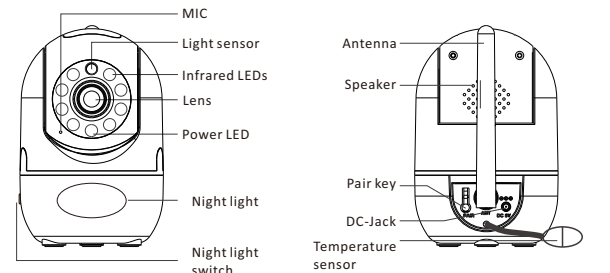
light conditions. In this mode, only black and white images will be displayed on the monitor. The optimum image lie in where baby unit is 6ft (2m) away from object. The camera is in night vision mode, the icon  will be displayed on the top of the screen.

**6. PRODUCT OVERVIEW**




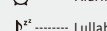

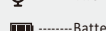



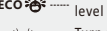


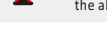
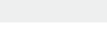
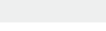

**6.1 ICONS OVERVIEW:**


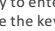
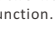
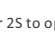
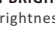
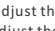
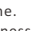


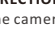


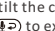




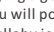







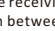
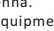
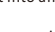
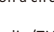
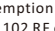
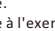
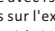

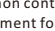
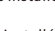



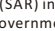
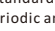
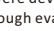

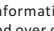
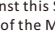
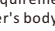
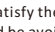
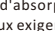

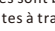
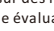
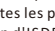










**6.2 PARENT UNIT OVERVIEW:**



**6.3 ICONS OVERVIEW:**

	Signal Strength		Volume		Zoom
	Alarm		Brightness		Two-Way Talk
	Lullaby		Night Vision		Battery level
	Camera		Night light		Display reverse
	Low sensitivity level		Middle sensitivity level		High sensitivity level
	Turn off the alarm sound.				

**7. KEY OPERATION**  
**7.1 TURN ON/OFF**  
Press and hold the power  key for 3 seconds to turn on/off the Parent Unit.  
**7.2 TWO WAY TALK / EXIT KEY**  
Press and hold the  key to enter two way talk mode. A microphone  will be displayed on the LCD screen. Release the key to stop.  
**Note:** When you are in the two-way talk mode, the Parent Unit speaker is muted. Also this key acts as exit function.  
**7.3 ZOOM**  
Press and hold  key for 25 to operate zoom in / out.  
**7.4 VOLUME AND DISPLAY BRIGHTNESS ADJUSTMENT**  
1. Press the Volume and Brightness  key, the volume and brightness icons will display on the LCD screen.  
2. Press the  /  key to adjust the volume.  
3. Press the  /  key to adjust the brightness.  
4. Press the Return Key  to exit.  
**Note:** The volume and brightness has 6 levels. The default level setting is level 4.  
**7.5 REMOTE PAN/TILT (DIRECTION ARROW)**  
You can remote pan-tilt the camera.  
1. Press any of direction arrow  /  /  /  key, the direction icons will display on the LCD screen.  
2. Press the  /  key to pan the camera.  
3. Press the  /  key to tilt the camera.  
4. Press the Return Key  to exit.  
**8. MENU OPERATION**  
**8.1 LULLABY SETTING**  
You can soothe the baby to sleep by playing a gentle lullaby from the baby unit.  
1. Press the MENU key  and the menu will pop up.  
2. Press the  /  /  /  key until the lullaby icon  is selected.  
3. Press the  /  /  /  key to select one of 8 available lullabies or loop playback .  
4. Press the  to confirm.  
5. Select stop icon  to stop.  
6. Press the Return Key  to exit.  
**8.2 CAMERA**  
**8.2.1 ADD CAMERA**  
1. Press the MENU key  and the menu will pop up.  
2. Press the  /  /  /  key until the camera icon  is selected.  
3. Press the  /  /  /  key until the camera adding icon  is selected.  
4. When the Pair sign is displayed 30 seconds countdown on the LCD screen, press PAIR button on the back of the camera.  
5. Once paired, Successful pairing icon  shows on the LCD screen.  
6. If fails, repeat above steps.  
**8.2.2 DELETE CAMERA**  
1. Press the MENU key  and the menu will pop up.  
2. Press the  /  /  /  key until the camera deleting icon  is selected.  
3. Press the  /  /  /  key until the camera deleting icon  is selected.  
4. Press the  key, the icon  and  will appear.  
5. Select YES and press  key to delete the camera.  
**SPLIT-SCREEN FUNCTION**  
The baby monitor has Split-Screen feature. When 2 cameras are paired, the two different imagines will be displayed on the monitor's screen side by side at the same time. When 3 or 4 cameras are paired, all imagines will be displayed splitly on the screen in real-time.  
**8.3 ENERGY SAVING**  
This mode allows you to control the sound activation of your baby unit. If there is no sound around the baby unit within 30 seconds, it will stop audio transmission and turn off the screen of the parent unit. When the baby unit detects any sounds louder than the sensitivity level, it will start transmitting the signal to the parent unit again and turn on the screen of the parent unit. To change the ECO level, please follow the below instructions.  
1. Press the MENU key  and the menu will pop up.  
2. Press the  /  /  /  key until the ECO icon  is selected.  
3. Press the  /  key to turn on or off the night light.  
4. Press the  key to select desired level.  
5. Press  key to exit.  
**Note:**  is Low sensitivity level, the baby have to make a lot of sound before the ECO function is activated;  
**Note:**  is Middle sensitivity level.  
**Note:**  is High sensitivity level, the baby don't have to make a lot of sound before the ECO function is activated;  
**8.4 FEEDING TIME SETTING**  
1. Press the MENU key  and the menu will pop up.  
2. Press the  /  /  /  key until the Feeding Time icon  is selected.  
3. Press the  /  /  /  key to select the feeding alarm time you need.  
4. Press the  to confirm. The Feeding Time icon  shows on the LCD screen.  
**Note 1:** The minimum setting is 0.5 hours, and the maximum setting is 7 hours (9 levels).  
**Note 2:** The Feeding alarm default setting is OFF.  
**Note 3:** Select icon  and press  to cancel feeding alarm setting.  
**8.5 TEMPERATURE SETTING**  
1. Press the MENU key  and the menu will pop up.  
2. Press the  /  /  /  key until the thermometer icon  is selected.  
3. Press the  /  /  /  key to select the Degrees Centigrade (°C) or Degrees Fahrenheit (°F).  
4. Press the  /  /  /  key to select  or  for turning on/off alarm function.  
5. Press  /  /  /  key to adjust the Hi limit when  (red) is selected.  
6. Press  /  /  /  key to adjust the Lo limit when  (blue) is selected.  
7. The corresponding temperature shows on the LCD screen.  
8. Press  key to Exit.  
**Note:** The detected temperature range is 0~50 °C.  
**Note:** The high temperature alarm default setting is 36 °C, and the low temperature alarm default setting is 8 °C. When the temperature goes above or below the settings, the temperature icon  will display on the screen. It will alert user by beeps. Press any key on the parent unit to stop beeping and flashing.  
**8.6 LANGUAGE SETTING**  
1. Press the MENU key  and the menu will pop up.  
2. Press the  /  /  /  key until the language icon  is selected.  
3. Press the  /  /  /  key to select the language you need.  
4. Press  key to confirm.  
5. Press  key to Exit.  
**8.7 NIGHT LIGHT SETTING**  
1. Press the MENU key  and the menu will pop up.  
2. Press the  /  /  /  key until the night light icon  is selected.  
3. Press the  /  /  /  key to choose the color of the night light (8 colors available), press OK key to confirm.  
4. Press the  /  /  /  key to turn on or off the night light.  
5. Press  key to cycle through the 8 colors of the night light, with a time interval of 1 minute for each color change.  
6. Press  key to Exit.  
**Note:** Note: Pressing and holding  the button on the side of the baby unit can turn off the night light; pressing  the button on the side of the baby unit can switch the light color.  
**8.8 SETTINGS**  
**8.8.1 DEFAULT SETTINGS**  
1. Press MENU key  key, the Main Menu will pop up.  
2. Press the  /  /  /  key until the Settings icon  is selected.

**9. TECHNICAL DATA**

Frequency	2412MHz-2462MHz
Parent Unit Input	100-240VAC 50/60Hz
Output	5V DC 1.2A
Camera Unit Input	100-240VAC 50/60Hz
Output	5V DC 1.2A
Operating Range	Up to 1000ft (300m) outdoor (line of sight) Up to 165ft (50m) indoor
Display	5.0" 720P IPS TFT LCD
Battery (Parent Unit)	Li-ion 3.7V 5000mAh (18.5Wh)
Operating time	Up to 13 hours
Maximum Power	<19dBm
Operation Environment	Operation Temperature: +32F~+104F (0°C~40°C) Battery Charging Temperature: +50F~+104F (10°C~40°C) Relative Humidity: 15%-85%

**10. TROUBLE SHOOTING**

No reception on The Monitor	<ul style="list-style-type: none"> <li>* The power adapters may not be properly connected.</li> <li>* Confirm that the camera and monitor are ON.</li> <li>* Camera may be far away from the monitor.</li> <li>* Camera and monitor may not be properly paired; follow PAIRING instructions.</li> </ul>
Interference or Poor Reception	<ul style="list-style-type: none"> <li>* Move the monitor close to the camera.</li> <li>* The camera or monitor may be placed too close to many metal objects.</li> <li>* Other electronic devices may be interfering with the signal.</li> <li>* The battery power may be too low.</li> </ul>
Audio Feedback (High Pitched Noise)	<ul style="list-style-type: none"> <li>* The camera and monitor may be placed too closed.</li> <li>* The volume on the monitor may be set too high.</li> </ul>
Frozen Picture on Screen	<ul style="list-style-type: none"> <li>* Repower the baby unit (plug out the adapter, then plug it into the socket again).</li> <li>* Press the RESET key at the back of parent unit.</li> </ul>

**11. MAINTENANCE**  
\* Clean your baby monitor with a slightly damp or anti-static cloth.  
\* Never use cleaning agents or solvents.

**12. DISPOSAL GUIDE FOR BATTERY AND PRODUCT**  
\* Do not attempt to repair or adjust any of the electrical or mechanical functions of the unit.  
\* Remember to dispose of the product in an environmentally responsible way.  
\* For proper collection and processing of these products, take them to the collection points designated by local authorities. You can also contact the store where you purchased the product.

Improper or incorrect use of batteries may cause corrosion or battery leakage, which could cause personal injury or damage to property. Use only the types of the batteries which are indicated in this manual.  
**CAUTION:** Risk of Fire and Burns. Do Not Open, Crush, Heat Above 45 degree C or Incinerate. Follow Manufacturer's Instructions.

- Disposal of a battery into fire or a hot oven, or mechanically crushing or cutting of a battery, that can result in an explosion.
- Leaving a battery in an extremely high temperature surrounding environment that can result in an explosion or the leakage of flammable liquid or gas.
- A battery subjected to extremely low air pressure that may result in an explosion or the leakage of flammable liquid or gas.
- The battery shall not be exposed to excessive heat such as sunshine, fire or the like.

**FCC & ISDE Statement**  
This device complies with Part 15 of the FCC Rules and with Industry Canada licence-exempt RSS standard(s). Operation is subject to the following two conditions: (1) this device may not cause harmful interference, and (2) this device must accept any interference received, including interference that may cause undesired operation. Cet appareil est conforme à la partie 15 des règles de la FCC et aux normes RSS exemptées de licence d'Industrie Canada. Le fonctionnement est soumis aux deux conditions suivantes: (1) cet appareil ne doit pas causer d'interférences nuisibles, et (2) cet appareil doit accepter toute interférence reçue, y compris les interférences pouvant entraîner un fonctionnement inadéquat.  
Changes or modifications to this unit not expressly approved by the party responsible for compliance could void the user's authority to operate the equipment.  
**NOTE:** This equipment has been tested and found to comply with the limits for a Class B digital device, pursuant to Part 15 of the FCC Rules. These limits are designed to provide a reasonable protection against harmful interference in a residential installation. This equipment generates, uses and can radiate radio frequency energy and, if not installed and used in accordance with the instructions, may cause harmful interference to radio communications. However, there is no guarantee that interference will not occur in a particular installation. If this equipment does cause harmful interference to radio or television reception, which can be determined by turning the equipment off and on, the user is encouraged to try to correct the interference by one or more of the following measures:  
-- Reorient or relocate the receiving antenna.  
-- Increase the separation between the equipment and receiver.  
-- Connect the equipment into an outlet on a circuit different from that to which the receiver is connected.  
-- Consult the dealer or an experienced radio/TV technician for help.  
This device meets the exemption from the routine evaluation limits in section 2.5 of RSS 102 and compliance with RSS 102 RF exposure, users can obtain Canadian information on RF exposure and compliance.  
This equipment complies with Canadian radiation exposure limits set forth for an uncontrolled environment.  
Cet équipement est conforme aux limites d'exposition aux rayonnements du Canada établies pour un environnement non contrôlé.  
Radiation Exposure Statement for camera  
This equipment should be installed and operated with minimum distance 20cm between the radiator & your body.  
Cet équipement doit être installé et utilisé à une distance minimale de 20 cm entre le radiateur et votre corps.  
SAR Statement for Monitor  
Specific Absorption Rate (SAR) information:  
This monitor meets the government's requirements for exposure to radio waves. The guidelines are based on standards that were developed by independent scientific organizations through periodic and thorough evaluation of scientific studies. The standards include a substantial safety margin designed to assure the safety of all persons regardless of age or health. ISDE & FCC RF Exposure Information and Statement the SAR limit of Canada (ISDE & FCC) is 1.6W/kg averaged over one gram of tissue. Device types: Monitor has also been tested against this SAR limit. This device was tested for typical body-worn operations with the back of the Monitor kept 0mm from the body. To maintain compliance with ISDE RF exposure requirements, use accessories that maintain an 0mm separation distance between the user's body and the back of the Monitor. The use of belt clips, holsters and similar accessories should not contain metallic components in its assembly. The use of accessories that do not satisfy these requirements may not comply with ISDE RF exposure requirements, and should be avoided.  
Informations sur le débit d'absorption spécifique (DAS):  
Cetle Moniteur répond aux exigences du gouvernement en matière d'exposition aux ondes radio. Les lignes directrices sont basées sur des normes élaborées par des organisations scientifiques indépendantes à travers une évaluation périodique et approfondie des études scientifiques. Les normes comprennent une marge de sécurité substantielle conçue pour assurer la sécurité de toutes les personnes, quel que soit leur âge ou leur état de santé. Information et déclaration d'ISDE sur l'exposition aux RF la limite DAS du Canada (ISDE) est

de 1.6 W / kg en moyenne sur un gramme de tissu. Types d'appareils: la Moniteur a également été testée par rapport à cette limite SAR. Cet appareil a été testé pour des opérations typiques portées sur le corps avec le dos de la Moniteur gardé à 0 mm du corps. Pour maintenir la conformité avec les exigences d'exposition RF d'ISDE, utilisez des accessoires qui maintiennent une distance de séparation de 0 mm entre le corps de l'utilisateur et l'arrière de la Moniteur. L'utilisation de clips de ceinture, d'étuis et d'accessoires similaires ne doit pas contenir de composants métalliques dans son assemblage. L'utilisation d'accessoires qui ne satisfont pas à ces exigences peut ne pas être conforme aux exigences d'exposition aux RF d'ISDE et doit être évitée.

**EU Declaration of Conformity (DOC)**  
Hereby, videotimes declares that the radio equipment type is in compliance with RED Directive 2014/53/EU.  
The full text of the EU declaration of conformity is available on the website: www.hellobaby.net.cn

Model: HB6589L  
Responsible Party (US): Startline LLC  
Add: 22 Hazelwood Drive, Jericho, NY 11753 Tel: 1-516-681-3729  
Authorized UK Representative (UK): APEX CE SPECIALISTS LIMITED  
Add: 89 Princess Street, M14HT, UK info@apex-ce.com

Shenzhen Videotimes Technology Co., Ltd  
Room 2106, Building 11, Tianan Yungu Phase II, Gangtuo Community, Bantian Street, Longgang District, Shenzhen, Guangdong, China

Risk Group 1	
WARNING IR emitted from this product. Do not stare at operating lamp	
Product tested against EN62471	



## WARNING

Strangulation Hazard: Children have STRANGLLED in cords. Keep this cord out of the reach of children (more than 3 ft (0.9 m) away). Do not remove this tag.



## AVERTISSEMENT

DANGER D'ÉTRANGLEMENT: Des enfants se sont ÉTRANGLÉS avec des cordons électriques. Gardez le cordon électrique hors de la portée des enfants (à plus de 0.9m/3 pi du lit d'enfant). Ne pas enlever cette étiquette.











Made in China