

6

5

4

3

2

1

D

D

C

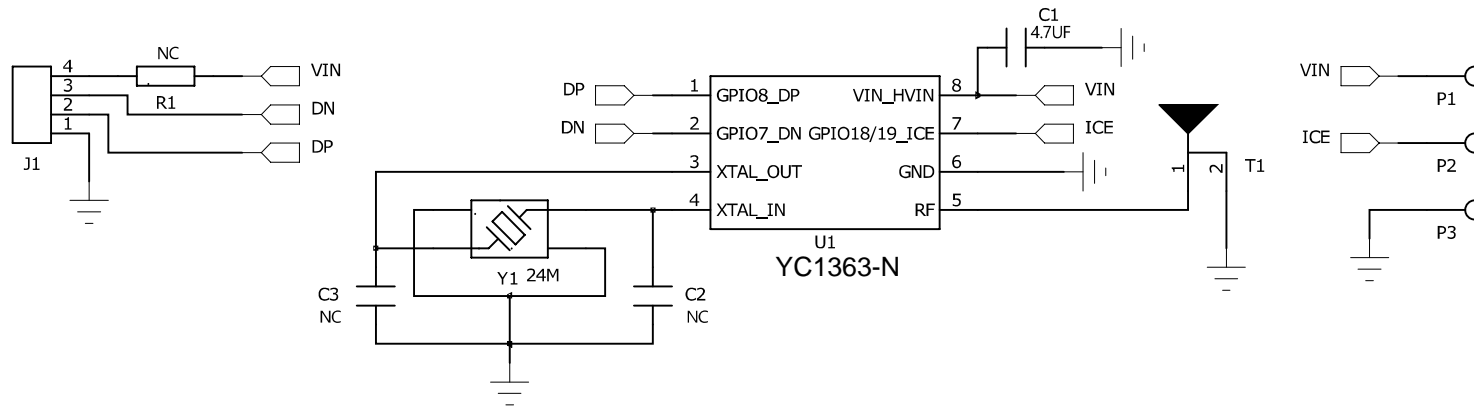
C

B

B

A

A



TITLE:			
CODE:	SIZE: <b>A4</b>	DRAWING NO:	REV:
DATE: 2023.05.22		SHEET: 1 of 1	