



# 天线承认书

## Antenna Sample Confirmation From

供应商名称 Vendor Name	深圳健海通天线技术有限公司 Shenzhen kenhaitong antenna technology co, ltd				
客户名称 Customer Name	松富 SongFu				
样品名称 Sample Name	WIFI Antenna				
产品型号 Part Number	KIT-WZ-WF-V02				
客户编号 Customer ID	Y. 3. 2603-000001-000				
检验项目 Inspection Item	性能测试 Performance	外观检查 Total Appearance	结构 structure	审核 Audit	检验结果 Inspection Result
	Pass	Pass	Pass	Genyu Chen	Pass
备注 Remark	NO				
品质审核 QA Audit	Jixiong Zhang	工程审核 Engineer Audit	Waixiang Feng	业务确认 Sales Confirm	Xin Liu
以下由客户填写 The following are filled by Customer					
客户意见 Customer Evaluation	OK				
客户签字/盖章 Signature/ Chapter by Customer	Haipin Huang				
日期/date: 2023. 12. 06					



# Antenna Test Report


测试单位: 深圳健海通天线技术有限公司  
Test by: Shenzhen kenhaitong antenna technology co, ltd


材料 Material	FPC+ coaxial cable+IPEX		
天线类型 Antenna Type	FPC Type	极化方式 Polarization mode	Linear
应用场景 Application			
工作频段 Band	2.4G WIFI	VSWR	≤1.53
功率 Power	Max: 2W	阻抗 Impedance	50Ω
增益 dBi	Max 2.67dBi		
测试设备 Test Equipment	E5071C、Shielding Room、3D automatic turntable		

## Antenna Description::

1. Grounding processing and picture description: no

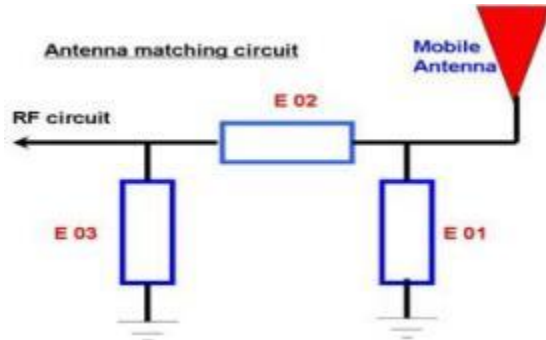
2. Need to change the motherboard to match: no

 Test voltage: 3.6V, check the antenna contact is good before testing.

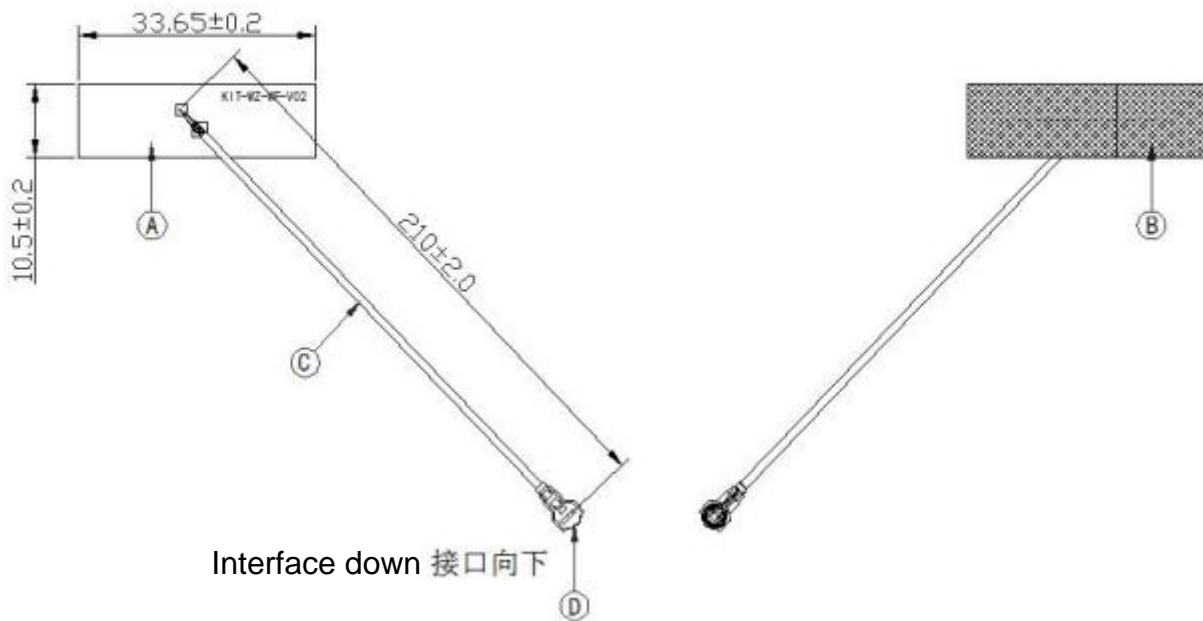
 The RF cable of the integrated tester is kept in a natural state and can not be curled.

Specification: test the specified power level, all indicators must conform to the specifications.

## 1. Antenna matching circuit



## 2. Antenna size



A	Antenna	FPC
B	3M rayon	3M300LSE
C	Feeder line	RF1.13
D	RF interface	IPEX1

### 3. Test condition

Test system: anechoic chamber

testing environment :

Temperature :  $22^{\circ}\text{C}\pm 3^{\circ}\text{C}$ , humidity :  $50\%\pm 15\%$

Test equipment: network analyzer E5071C



## 2.4G Antenna passive parameter

Frequency / MHz	Efficiency / %	Gain/ dBi
2400	56.36	2.10
2410	54.83	2.03
2420	56.10	2.19
2430	53.46	2.07
2440	54.58	2.33
2450	52.97	2.25
2460	52.24	2.40
2470	48.19	2.20
2480	48.19	2.39
2490	48.08	2.50
2500	48.75	2.67

