

MODEL : HFA-13S

Specification

Items	Spec.	Note
Frequency	13.56MHz	
Impedance	50 ohm	
Antenna Port	SMA Female Connector	
Operating Temp.	-20 ~ +50 °C	
Dimension	30 x 55 x 10 mm	H x W x D
Weight	11g	

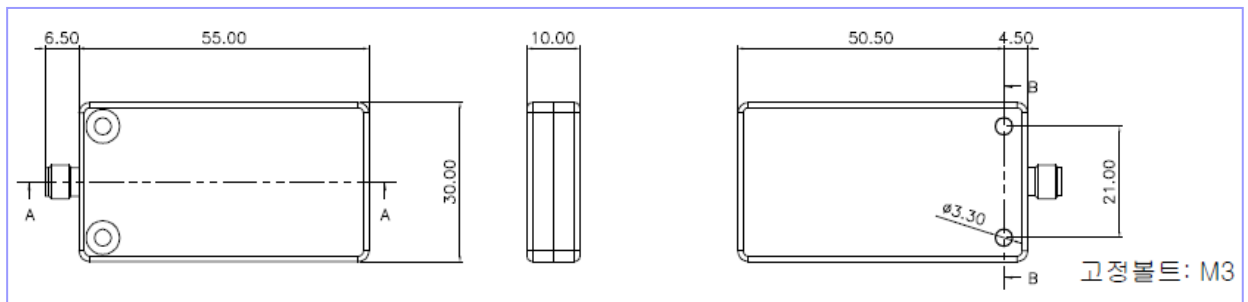


Features

- Small Size
- Reading Range up to 3(7)Cm depends on Tag
- SMA Connector
- Light weight

Application

- Factory Automation
- Inventory
- Access & Security Control
- Asset Management
- Supply Chain Management



**※ 안테나는 반드시 금속체로부터 10mm 이상 이격 시켜 설치하세요!
 (Be sure to install the antenna at least 10 mm away from the metal body!)**

RFengine Co., Ltd

Address : 1-618 Cheongju Techno S-Tower, 530 Jikji-daero, Heungdeok-gu
 Cheongju-si, Chungcheongbuk-do, Korea (Zip:28578)

Tel : +82-43-215-9380, Fax : +82-43-277-0008

HomePage : www.RFengine.com, E-mail : rfengine@rfengine.com