

THE MANUAL

True wireless stereo earphone

Parameter

Earphone

Item: Wireless stereo earphone V5.3

Version: **V5.3**

Profiles: Supports HFP 1.7, HSP 1.2, A2DP 1.0, AVRCP 1.6, SPP 1.2 and PBAP 1.0

Transmit power: Class 2

Frequency Range: 2.402GHz~2.480GHz

Talkin time: 4-6 Hours(Full charge)

Music: 4-6H(Full charge)

Battery: Polymer 3.7V>50mA

Charing time: 1-2Hours

Charging box

Input: 5V=1A

Output: 5V=1A

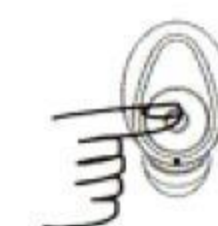
Battery: Refer to the box label

How to use

The headphones start automatically and pair automatically. Take out two headphones from the charging box at the same time. You can see the two headphones flashing alternately for about 2-3 seconds. The left and right headphones turn to red and blue lights. The headphones prompt the "pairing success" and the headphones can be used. If the headphones do not turn to slow flash, just double-click the button on the "R" headphones. You can enter the left-right headset pairing and enter the waiting mobile phone search status.

Mobile phone link operation: Open the mobile phone Bluetooth search, click the link in the searched device name " v5.3 " (or the box label model). You will see the phone display: Connected. At the same time, the left earphone (L) prompts "connected". That is, the link is successfully paired and ready to use.

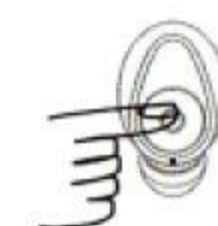
Prev./next song operations: Double-click the main headset (L) for the previous song. Double-click the secondary headset (R) for the next song.



Double-Click: Prev. Song

Click 3 times: Volume -

Headset(L)



Double-Click: Next Song

Click 3 times: Volume +

Headset(R)

Note! Due to the version change, some earphones do not have double-click and triple click functions. Please consult the sales personnel for details

Call answering and hanging up: A call coming, press the headset button once to answer. After the call ends, press the headset button again to hang up the call.

Reject the call: Press and hold the headset button for 2 seconds to reject the call.

Start the phone siri: Press the headset button about 1 second to hear the prompt tone "voice dialing" - let go, the phone siri function has been activated.

Shutdown or turn off: Put the earphone directly back into the charging box, the earphone automatically disconnects from the mobile phone, or press and hold the headset buttons for 3-5 seconds, the headset indicator light is flash red for 3 times. It is turned off afterwards.

More than 2 times use: Open the mobile phone bluetooth with the mobile phone that has been linked to use, and take out the earphone in the charging box at the same time, without any operation, it will automatically link with the mobile phone. If you use a different phone, you need to follow the first item before you can use it.

Use alone: Use the headset(L) or the headset(R) alone, turn it on, turn on the mobile phone bluetooth and search " v5.3 " or " v5.3 " (or the model that matches the label of the box), after the device flashes red and blue, click to open the connection and use it.

LED Indicator Status

Paired state: alternating flashing of red and blue lights

Matching Success: Red and Blue Lights Turn Out

Charging status: red light is always on

Charging completed: red light off

Notice!

- Do not drop, impact, scrape, twist, knock, crush, throw headsets into water, etc.
- Keep headsets away from magnets, appliances and speakers when using them.
- Avoid putting headsets in extreme temperatures (normal operating environment - 10°C ~ 45°C)
- Avoid exposing headsets to damp conditions

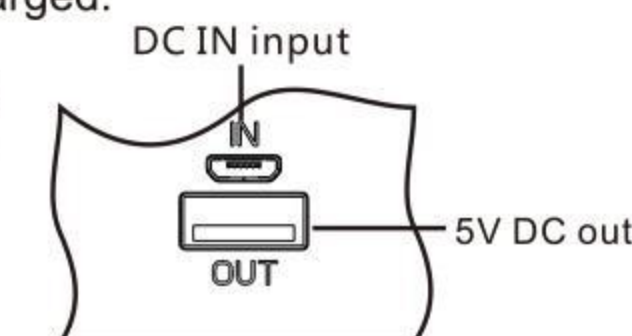
When the earphones battery level is low

The headphones will repeat a "battery level low, please recharge" voice message, and at same time, the light indicator will blink red. If the headphones is out of power during a call, the call is automatically transferred back to the phone.

Charging of earphones

The earphones are equipped with a built-in rechargeable battery which is not removable. When using the device for the first time, ensure that the battery is fully charged.

Connect a charging cable to the charge port of the earphones, and plug the cable into a standard USB 5V outlet. During charging, the light indicator will turn red. When the device is fully charged, the indicator will change from red to blue or off. Then unplug the travel charging cable from the USB power outlet and the earphones.



- Use only charging adapter approved by authentication. Unapproved or non-standard USB 5V outlet may result in damaging the earphones, or explosion under extreme conditions, and will void the product warrant.
- Repeated charging and discharging of the earphones will decrease the battery performance over time. This is normal for any rechargeable battery.
- Do not make or receive calls during charging. To answer a call, always unplug the charging cable first.
- To conserve energy, if not using, unplug the travel charging cable from the earphones. Because the travel charger does not have a power button, please unplug the travel charging cable from the socket before disconnecting from the power source. During usage, the travel charging cable should be kept close to the socket.

FCC Warning:

This equipment has been tested and found to comply with the limits for a Class B digital device, pursuant to part 15 of the FCC Rules. These limits are designed to provide reasonable protection against harmful interference in a residential installation. This equipment generates, uses and can radiate radio frequency energy and, if not installed and used in accordance with the instructions, may cause harmful interference to radio communications. However, there is no guarantee that interference will not occur in a particular installation. If this equipment does cause harmful interference to radio or television reception, which can be determined by turning the equipment off and on, the user is encouraged to try to correct the interference by one or more of the following measures:

- Reorient or relocate the receiving antenna.
- Increase the separation between the equipment and receiver.
- Connect the equipment into an outlet on a circuit different from that to which the receiver is connected.
- Consult the dealer or an experienced radio/TV technician for help.

Caution: Any changes or modifications to this device not explicitly approved by manufacturer could void your authority to operate this equipment.

This device complies with part 15 of the FCC Rules. Operation is subject to the following two conditions:

(1) This device may not cause harmful interference, and (2) this device must accept any interference received, including interference that may cause undesired operation.

This equipment complies with FCC radiation exposure limits set forth for an uncontrolled environment. This equipment should be installed and operated with minimum distance 0cm between the radiator and your body.