



WUPRO CINEMA

MOTORIZED FLOOR RISING SCREEN

USER MANUAL

WUPRO

www.wupro.com
www.wuproscreen.com

WUPRO Cinema
is the sub-brand of WUPRO for home theater products.

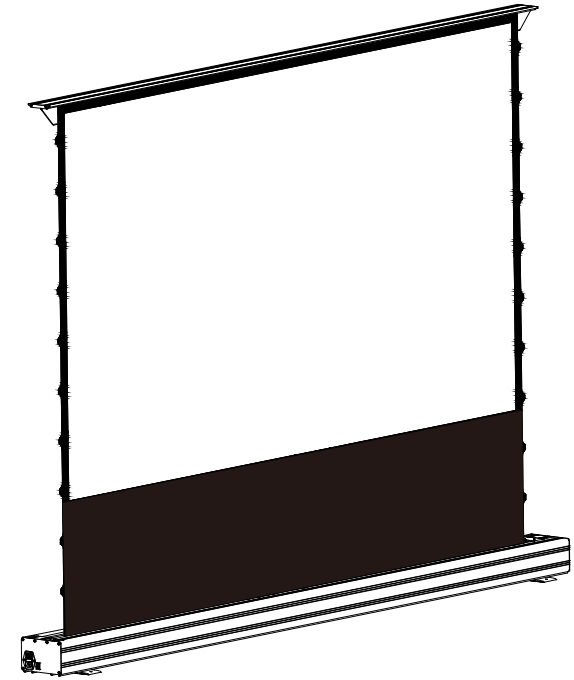


KNOW YOUR MOTORIZED FLOOR RISING SCREEN



MOTORIZED FLOOR RISING SCREEN

USER MANUAL



Thank you for purchasing this product,
please read this manual carefully before installation and use,
and keep it in your collection for future reference



Warning

Do not expose the product to rain or moisture to reduce the risk of fire or electric shock. Please strictly abide by the following safety rules. Incorrect installation and use methods may cause device damage or personal injury.

01. When moving the screen, handle the screen carefully to avoid damage.
02. Do not put the liquid on the product or expose the product to rain.
03. Fire protection and heat protection: Keep away from heat sources, such as radiators, stoves, and other harmful products.
04. This product is equipped with a strong cross-spring system, please do not try to disassemble it by yourself to prevent accidents.
05. Check and determine whether the power supply voltage and frequency are consistent with the rated voltage of this product, and the power socket should have a reliable grounding wire.
06. Avoid from scratching or folding the screen, so as not to cause the curtain to be damaged or wrinkled.
07. After the screen is used, please retract the screen into the shell to prevent the screen from being polluted by dust and reduce light aging. Before retracting the screen, please check and make sure that the screen is clean and free of foreign objects.
08. The screen motor has an overheating protection function (Lasting for 4 minutes). Do not frequently run the screen in a short period of time.
09. Make sure the screen is put on a level surface during installation for the sake of tilt.
10. This screen is equipped with a remote control transmitter, please remove the batteries when not in use for extended periods.
11. Please operate according to the instruction manual. Please contact professional service staff for maintenance-related issue.

Screen Cleaning

1. ALR fabrics: flick the screen with a feather duster or try to wipe it with an eraser
2. The soft white/gray fabrics: wipe with a soft towel dipped in water or diluted with a weak alkaline detergent; do not use alcohol, ether, or other solutions to clean the screen to avoid deformation of the screen.
3. Other fabric: cleaning method is the same as that of soft white/gray fabrics.

Characteristic

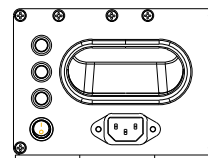
1. Equipped With voice function, it can connect to Tmall Genie, Xiaodu, Xiaomi, Xiaoi, Xiaozhi Butler, etc.;
2. Adopt a self-leveling system (that is, when the screen rises to the highest state, it will automatically drop about 5CM to maintain the relatively flat state of the screen);
3. This product is equipped with a USB trigger (code has been matched before delivery), which can be inserted into the USB port of the projector for use as needed;
4. Easy to install and fix, suitable for ground, wall, and cabinet installation.

Notice:

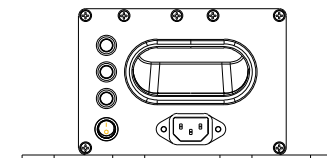
After unpacking, confirm whether the accessories are complete

No.	Parts name	QTY	No.	Parts name	QTY
1	Screen	1pcs	1	User manual	1pcs
2	Power cord	1pcs	2	Qualified certificate	1pcs
3	Remote control	1pcs	3		
4	USB trigger	1pcs	4		

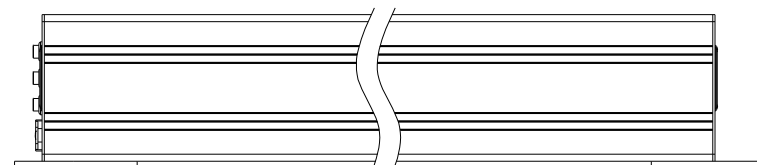
Confirm the installation method of the base according to the site conditions, as shown in the figure below. (The base may be unrolled left and right or forward and backward as needed; it has been retracted to the bottom of the shell before leaving the factory.)



The base's condition upon leaving the factory

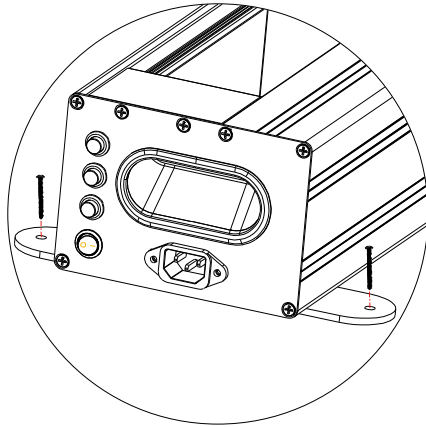


Rotate and adjust the base to unroll forward and backward

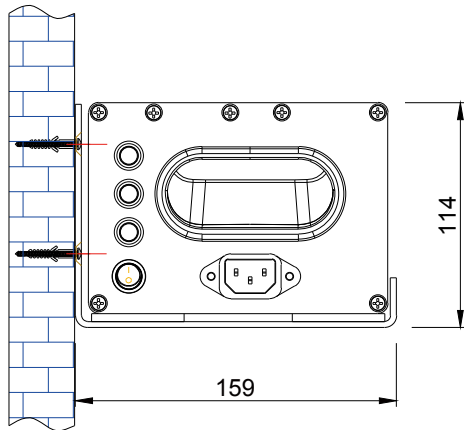


Rotate and adjust the base to unroll left and right

If conditions permit, fix the mounting holes with screws.



If you need to fix it on the wall or the side of the cabinet, you can refer to the figure below to make the mounting bracket, and the figure after installation is shown below.



Code Pairing

(Note: It is recommended not to put the transmitter in your pocket or give it to children to prevent from misuse.)

Setting of code pairing

After powering on, long press the up key of the transmitter for 2 seconds, and the base starts slowly "beep" to enter code pairing mode, release the up button of the transmitter and press it again, the "beep" will sound once, and the pairing is successful.

Transmitter up and down key reverse setting

Press the pause key of the transmitter for 5 seconds, and the beep will sound quickly to enter the setting state, and then press the up key of the transmitter for 2 seconds, the beep will sound once for a long time, now the setting is successful.

Upper limit setting

Press the up key of the transmitter for 5 seconds, and the motor will run to the ideal position, press the up/down key to adjust to the best position, and the motor will stop for 30 seconds without operation, and the beep will sound once, the setting is successful.

Delete single limit

The motor runs to the limit position that needs to be deleted, press the pause key of the transmitter for 5 seconds, then it "beep" quickly to enter the setting state, press the pause key of the transmitter for 5 seconds, and it will "beep" once, and the deletion is successful.

Delete all limit

The motor runs to the position of no-limit position, press the pause key of the transmitter for 5 seconds, and it will "beep" quickly to enter the setting state, press the pause key of the transmitter for 5 seconds, and it will "beep" once, and the deletion is successful.

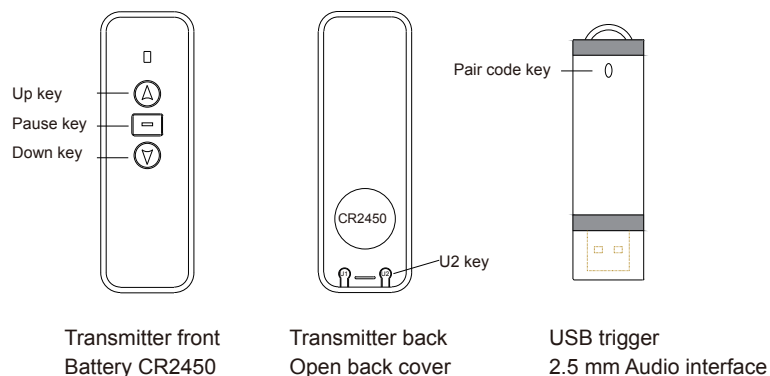
Remove all transmitter

Press the pause key of the transmitter for 5 seconds, and it will "beep" quickly to enter the setting state, press the down key of the transmitter for 2 seconds, and it will "beep" once, and the deletion is successful.

Reset to factory default setting

Press the pause key of the transmitter for 5 seconds, the beep will beep quickly to enter the setting state, and then press the U2 key on the back of the transmitter for 2 seconds, it will "beep" once, and the reset is successful.

Transmitter



Pair code of the trigger

(After entering the pairing/deleting mode, if the receiver beeps slowly for 30 seconds and there is no corresponding operation, the receiver will return to the initial state)

Pair code setting

Within 30 seconds after turning on the power, insert the trigger into the audio interface of the projector, and press the stop button of the receiver for 5 seconds, the receiver beeps slowly, press the pairing key of the receiver 2 times within 5 seconds, the receiver beeps 3 times quickly, The indicator light stops flashing, and the code pairing is successful.

General Troubleshooting

Common problem	Inspection site and cause analysis	Solution
The motor does not work	Check the power supply, whether it is powered on	Connect the power plug socket
	The motor works continuously for more than 4 minutes, automatic overheating protection will be triggered.	Wait for 30 minutes for the motor to cool down and power on automatically
	The three-position switch or the circuit of the remote control receiving box is malfunctional resulting in the motor not being energized	Replace corresponding parts
	Three-position switch failure	Press the reset button (middle button) on the remote controller
The remote control does not work	The battery of the remote controller is low	Replacement battery
	Out of range	The factory generally sets the remote control distance: wireless <50 meters
	The remote control transmitter does not match the receiver	Re-code
	Try other control methods (such as manual control) to determine whether there is a motor problem	Determine whether the remote control is faulty
Screen fabric shift	Violent shaking during transportation leads to loosening, or the position adjusted by the user	Adjust the position of the screen according to the method in the manual

Thank You Again For Purchasing This Product.
We Hope You Enjoy And Have Fun With It.

FCC Warning Statement: Changes or modifications to this unit not expressly approved by the party responsible for compliance could void the user's authority to operate the equipment. This equipment has been tested and found to comply with the limits for a Class B digital device, pursuant to Part 15 of the FCC Rules. These limits are designed to provide reasonable protection against harmful interference in a residential installation. This equipment generates, uses and can radiate radio frequency energy and, if not installed and used in accordance with the instructions, may cause harmful interference to radio communications.

However, there is no guarantee that interference will not occur in a particular installation. If this equipment does cause harmful interference to radio or television reception, which can be determined by turning the equipment off and on, the user is encouraged to try to correct the interference by one or more of the following measures:

- Reorient or relocate the receiving antenna.**
- Increase the separation between the equipment and receiver.**
- Connect the equipment into an outlet on a circuit different from that to which the receiver is connected.**
- Consult the dealer or an experienced radio/TV technician for help.**

This device complies with Part 15 of the FCC Rules. Operation is subject to the following two conditions: (1) this device may not cause harmful interference, and (2) this device must accept any interference received, including interference that may cause undesired operation.

FCC Radiation Exposure Statement

The device has been evaluated to meet general RF exposure requirement. The device can be used in portable exposure condition without restriction.