



东莞市森岭智能科技有限公司

DONGGUAN CITY SLEing INTEL-TECH CO., LTD

承认书

SPECIFICATION APPROVAL SHEET

客户: Shenzhen Vident Technology Co., Ltd  
CUSTOMER

客户料号: / 版次: X1  
CUS PART NO REV

品名 / 规格: 2400-2500MHz 单重: /  
SPECIFICATION WIFI Antenna L=75mm(Ø1.13+MHF ) weight

供方料号: SLEingB230510075  
SUP PART NO

日期: 2022.12.14  
DATE



厂商核准:  
SUP APPROVED

核准 APPROVED	审核 CHECKED	品保审核 QA CHECKED	承办 DESIGNED
<i>JongRei</i>	<i>Jerry</i>	<i>LSY</i>	<i>Jerry</i>

东莞市森岭智能科技有限公司

DONGGUAN CITY SLEing INTEL-TECH CO., LTD

中国广东省东莞市松山湖工业东路24号现代企业加速器6栋402

Room 402, No.6 Plant, Accelerator of Modern Enterprise, No, 24 Industry East Road  
Songshanlake District, Donguan City, Guangdong Province, China.

Tel: +86-076989208968

Fax: +86-0769-89208969

[www.sleing.com](http://www.sleing.com)

正本由承办单位保存





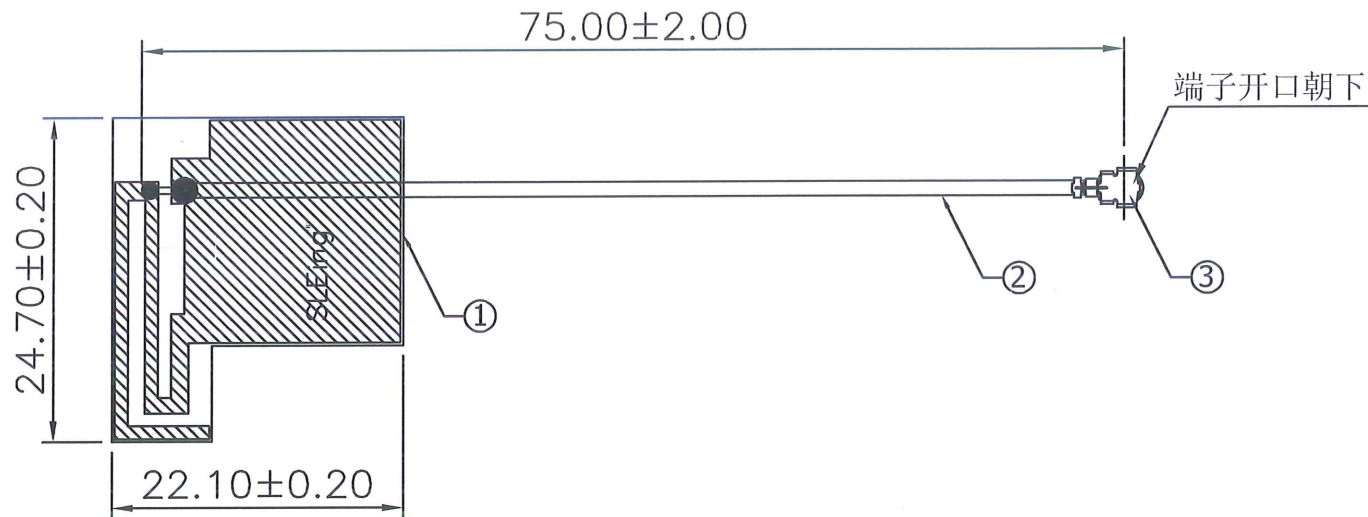
## 承认书项目表 (Spec Item )

序号 (NO.)	项目 (Project)	备注 (Remark)	页码 (Page)
1	承认书封面 (Spec Cover)		1
2	变更记录 (MODIFICATION RECORD SHEET)		2
3	承认书项目表 (Spec Item )		3
4	工程成品图 (Drawing)		4
5	电性测试报告 (Test Reports )		5
6	天线组装图 (Antenna assembly diagram)		6
7	S参数测试 (S Parameter Test)		7
8	测试设备 (Test Setup)		8
9	测试效率 (Test Efficiency)		9
10	产品包装规范 (Product packaging specification)		10

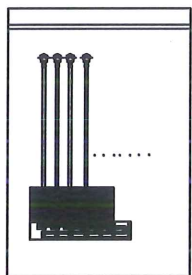
Give clear indication of:

1. The contents of the acknowledgement shall be arranged in order according to the items in the check sheet.
2. The number of copies of the acceptance letter shall be printed according to the customer's requirements, and the SGS report shall be stamped with the engineering seal.
3. All materials shall be confirmed by the customer. Any material/process/changes that may affect product quality and environmental quality must be re-sent to the customer for confirmation before import.
4. SGS report is valid for one year.
5. According to the contents attached to the actual acknowledgement, check the check form: "Yes" is provided, "no" is provided according to customer requirements.

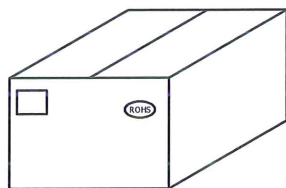
REV.	CONTENT	DATE
X1	First Sample	2022.12.14



Specification:  
 Frequency Rang:2400~2500MHz(带机测试)  
 Return Loss:-10dB or less  
 VSWR:1.92 Max



Packing:100pcs/bag

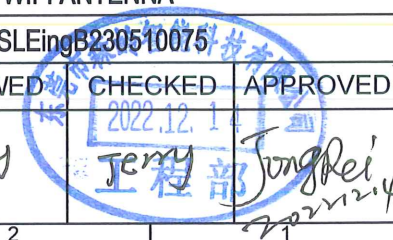


外箱须贴ROHS标签与物料标签各1PCS

SLEing® 森岭 东莞市森岭智能科技有限公司 DONGGUAN SLEing INTEL-TECH CO.,LTD			CUSTOMER			
			PART NO			
			TITLE		WIFI ANTENNA	
			S.L P/NO		SLEingB230510075	
			SIZE	DRAWN	CHECKED	APPROVED
			A4	Jerry	Jerry	JongRei

3	Connector	MHF Plug for Φ1.13 Cable	一代端子	1
2	Cable	Φ1.13mm Coaxial Cable Black,50Ω		1
1	FPCB	FPC,L24.7*W22.1*T0.1mm,Color:Black		1
NO	PART NAME	DESCRIPTION	REMARK	Q'TY

TOLERANCE UNLESS OTHERWISE SPECIFIED		SCALE: 1/1	XXX. ±2.0
UNIT:mm	ANGLES ±0.5°	X. ±0.3	
SHEET: 1/1	0.XX ±0.05	XX. ±0.5	





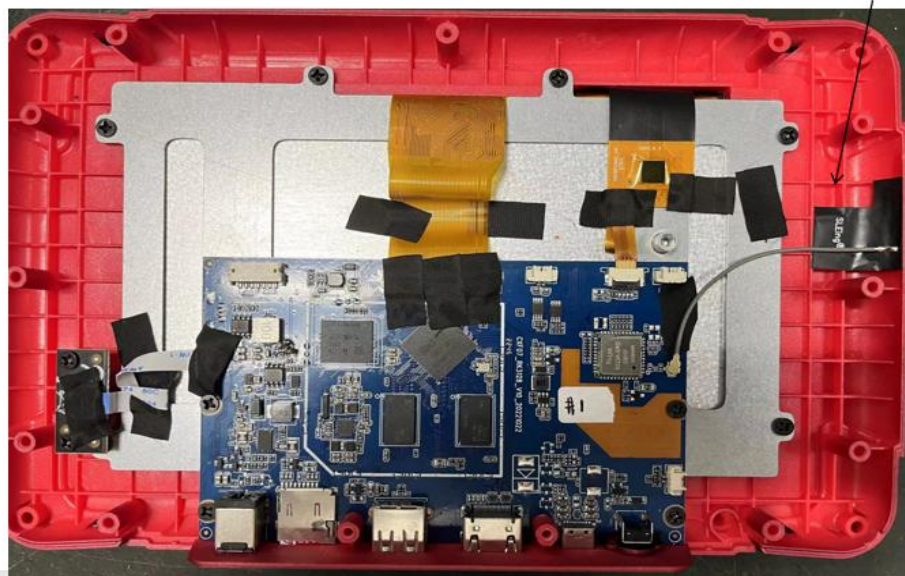
电性测试报告  
Test Reports

Electrical Properties	
Frequency	2400-2500 MHz(带机测试)
Impedance	50 Ohm Nominal
V.S.W.R	$\leq 1.92$
Return Loss	-10dB Max
Radiation	Omni-directional
Gain (Peak)	3.72dBi
Polarization	Linear, Vertical
Admitted Power	2 W
Connector	MHF
Physical Properties	
Antenna Material	FPCB
Cable Type	$\Phi 1.13\text{mm}$ Black
Operating Temp	-20°C-75°C
Storage Temp.	-20°C-75°C

天线组装图

Antenna assembly diagram

Device



Antenna



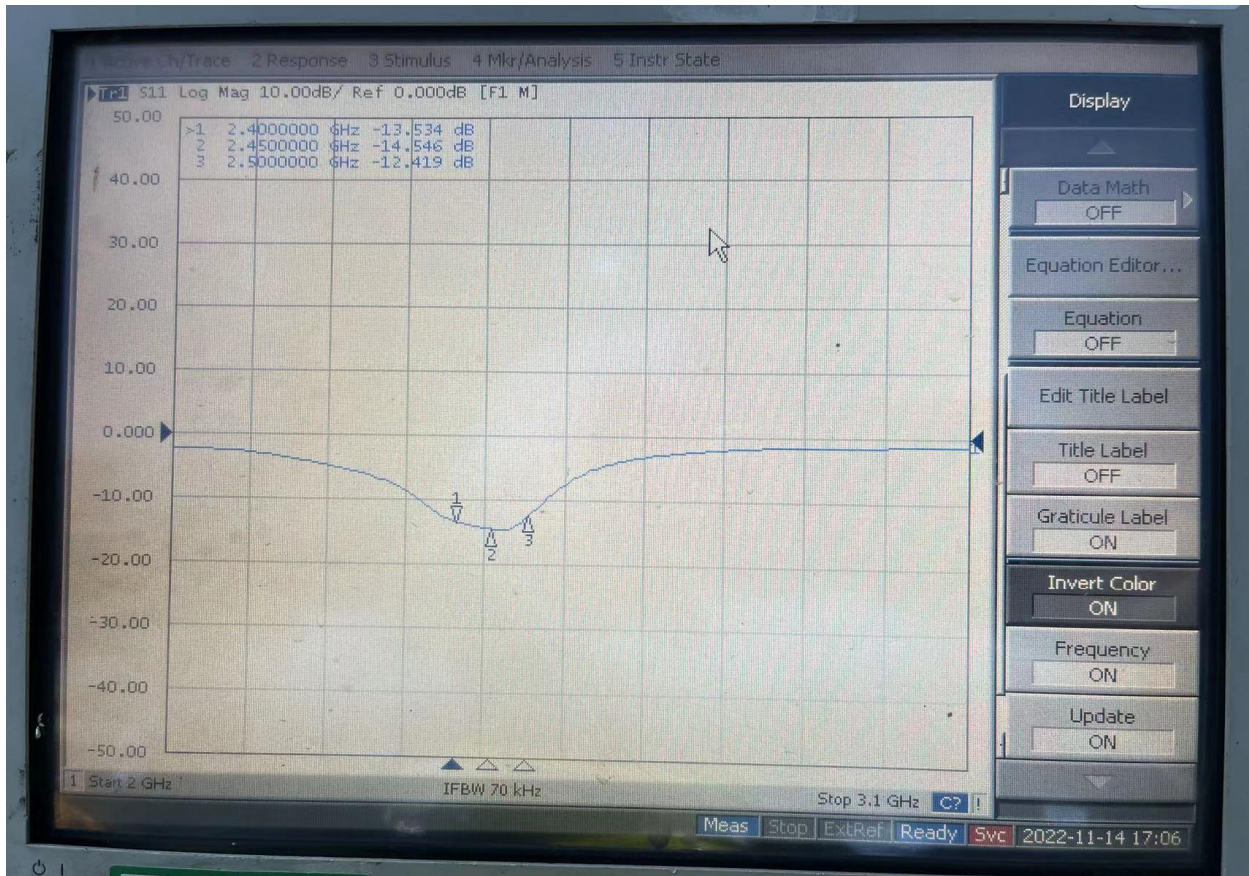
# S参数测试

## S Parameter Test

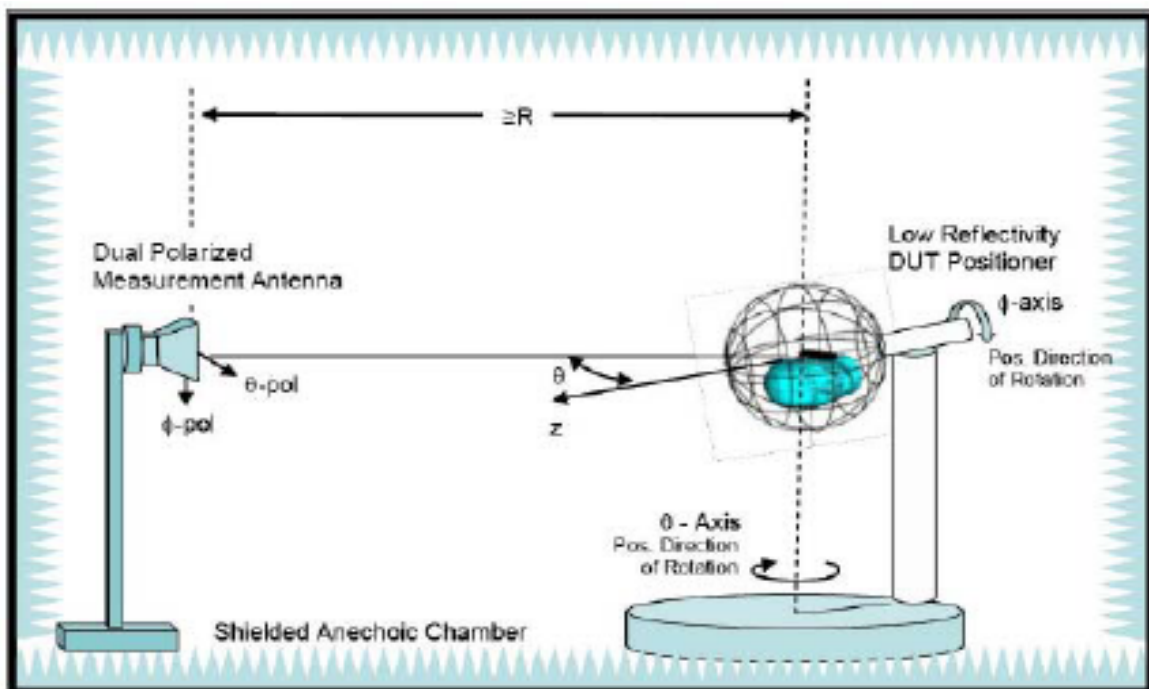
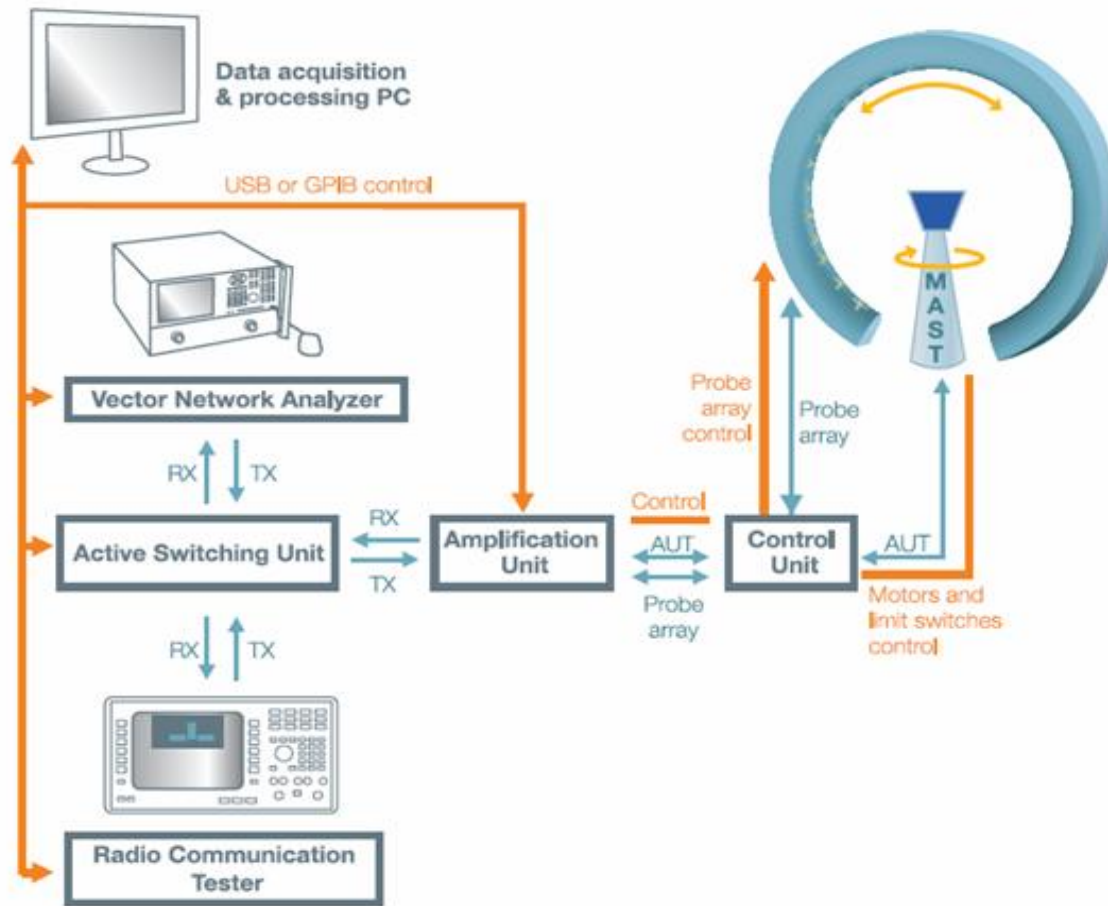
Agilent E5071C Network Analyzer



RF Antenna (Return Loss)



# 测试设备 Test Setup





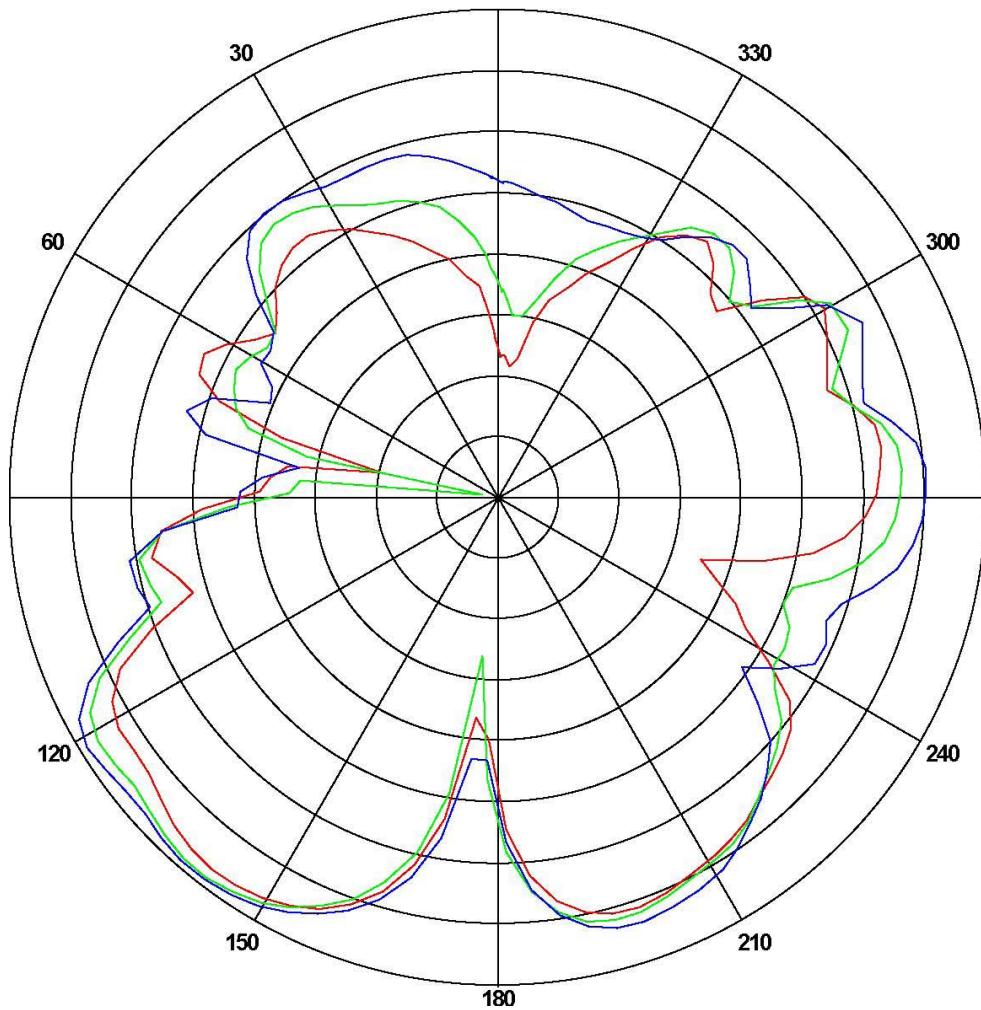
## 测试效率 Test Efficiency

Frequency ID	1	2	3	4	5	6	7	8	9	10	11
Frequency (MHz)	2400.0	2410.0	2420.0	2430.0	2440.0	2450.0	2460.0	2470.0	2480.0	2490.0	2500.0
Gain (dBi)	2.14	2.20	2.37	2.57	2.91	3.16	3.48	3.62	3.72	3.56	3.64
Efficiency (%)	49.94	50.49	51.60	52.94	56.00	57.08	57.99	56.98	57.06	56.05	57.77

2400 MHz 2450 MHz 2500 MHz

Power (dBm)

Max: 0 Min: -40 Scale: 5/div



# 产品包装规范

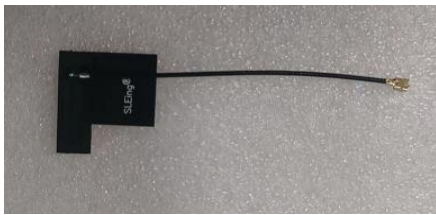
## Product packaging specification

日期/Date: 2022.12.14

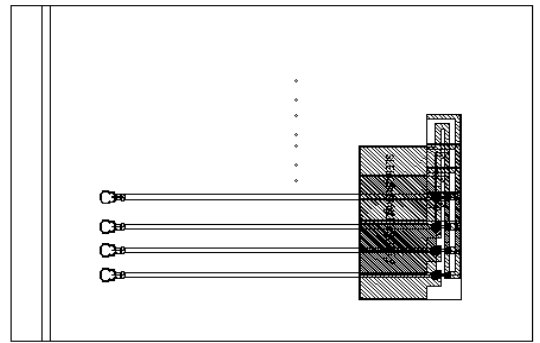
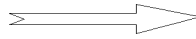
page:

1of1

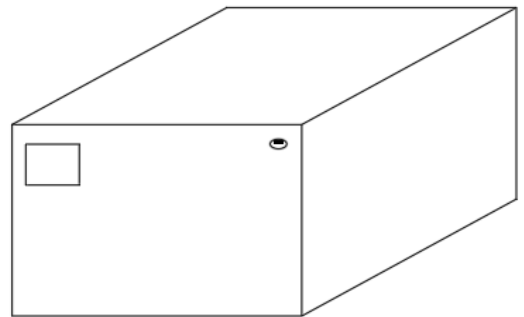
成品名称 Name of finished product	FPC Antenna	客户 customer	/
成品料号 Finished product number	SLEingB230510075	版本 REV.	X1



FPC Antenna



(



承办 DESIGNED	胡赵海 (Jreey)	审核 CHECKED	胡赵海 (Jreey)	核准 APPROVED	朱正锐 (Jongrei)
----------------	-------------	---------------	-------------	----------------	---------------