



东莞市森岭智能科技有限公司
DONGGUAN CITY SLEing INTEL-TECH

承认书

SPECIFICATION APPROVAL SHEET

客 户 :
CUSTOMER _____

客 户 料 号 : 版次 :
CUS PART NO _____ REV X1

品名 / 规格 : 2.4-2.5/5.15~5.85GHz 单重 :
SPECIFICATION WIFI Antenna L=210mm(Ø0.81+MHF) weight _____

供 方 料 号 :
SUP PART NO SLEingB227470210

日 期 :
DATE 2022.08.06

厂 商 核 准 :
SUP APPROVED

核准 APPROVED	审核 CHECKED	品保审核 QA CHECKED	承办 DESIGNED
<i>Jianghu</i>	<i>HSH</i>	<i>LSY</i>	<i>Xiaoyang</i>



客 户 核 准 :
CUS APPROVED

核准 APPROVED	审核 CHECKED	品保审核 QA CHECKED	承办 DESIGNED

东莞市森岭智能科技有限公司

DONGGUAN CITY SLEing INTEL-TECH CO., LTD

中国广东省东莞市松山湖工业东路24号现代企业加速器6栋402

Room 402, No. 6 Plant, Accelerator of Modern Enterprise, No. 24 Industry East Road
Songshanlake District, Dongguan City, Guangdong Province, China.

Tel: +86-0769-89208968

Fax: +86-0769-89208969

www.sleing.com

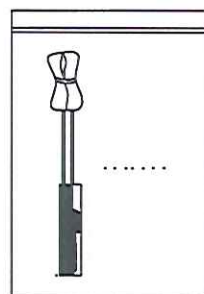
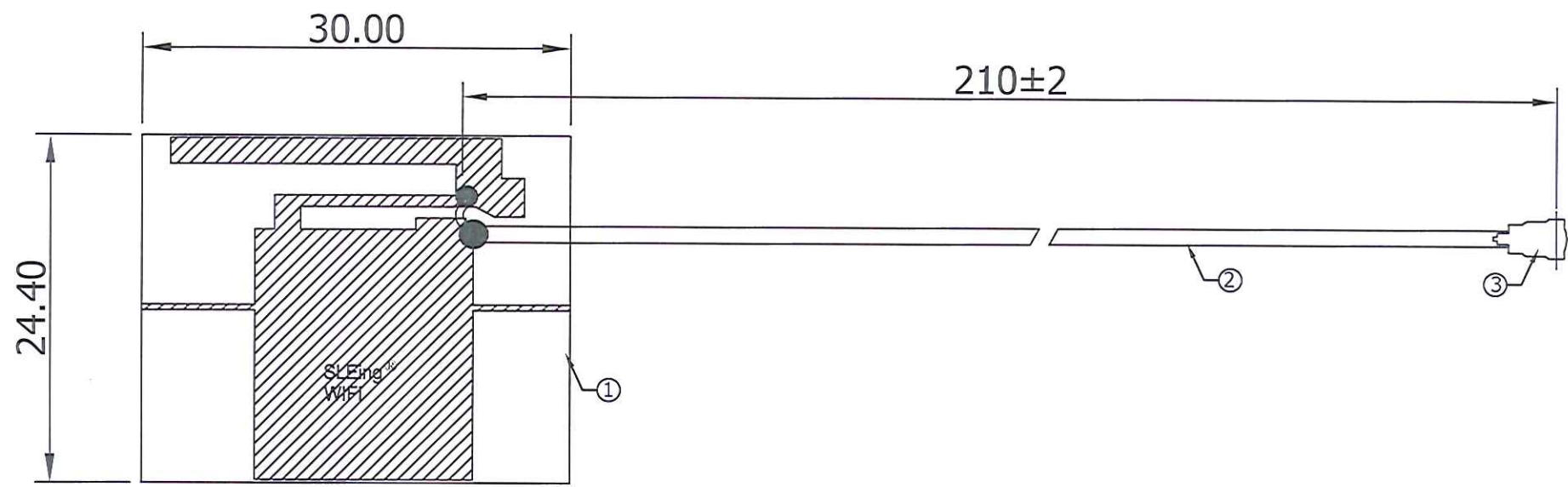
正本由承办单位保存



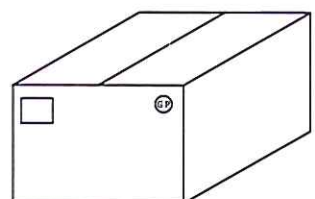
DONGGUAN CITY SLEing INTEL-TECH CO.,LTD

序号	项目	附件资料		备注
		有	无	
1	承认书封面 (Spec Cover)	<input type="checkbox"/>	<input type="checkbox"/>	
	客户满意度 (Customer satisfaction)	<input type="checkbox"/>	<input type="checkbox"/>	
2	承认书项目表 (Spec Item)	<input type="checkbox"/>	<input type="checkbox"/>	
3	工程成品图 (Drawing)	<input type="checkbox"/>	<input type="checkbox"/>	
4	电性测试报告 (Test Reports)	<input type="checkbox"/>	<input type="checkbox"/>	
5	S参数测试 (S Parameter)	<input type="checkbox"/>	<input type="checkbox"/>	
6	方向图(Patten)/测试效率 (Test Efficiency)	<input type="checkbox"/>	<input type="checkbox"/>	
7	样品检验记录 (Sample inspection)	<input type="checkbox"/>	<input type="checkbox"/>	
8	SGS报告 (SGS Report)	<input type="checkbox"/>	<input type="checkbox"/>	
			<input type="checkbox"/>	
10		<input type="checkbox"/>	<input type="checkbox"/>	
11		<input type="checkbox"/>	<input type="checkbox"/>	

REV.	CONTENT	DATE
X1	First Sample	2022.08.06



25pcs/Bundle
Packing:50pcs/bag



外箱须贴GP标签与物料标签各1PCS

Specification:
 Frequency Rang:2.4~2.5/5.15~5.85GHz(带机测试)
 Return Loss:-10dB or less
 VSWR:1.92 Max

SLEing® 森岭 东莞市森岭智能科技有限公司 DONGGUAN SLEing INTEL-TECH CO.,LTD		CUSTOMER		
		PART NO		
		TITLE		WIFI ANTENNA
		S.L P/NO		SLEingB227470210

NO	PART NAME	DESCRIPTION	REMARK	Q'TY
3	Connector	MHF Plug for Φ0.81 Cable	第三代端子	1
2	Cable	Φ0.81mm Coaxial Cable Black,50Ω		1
1	FPCB	FPC,L30.0*W24.4*T0.1mm,Color:Black		1

	TOLERANCE UNLESS OTHERWISE SPECIFIED	
UNIT:mm	ANGLES ±0.5°	X. ±0.3
SHEET: 1/1	.XX ±0.05	XX. ±0.5
SCALE: 1/1		XXX. ±2.0

SIZE	DRAWN	CHECKED	APPROVED
A4			





电性测试报告 Test Reports

Electrical Properties	
Frequency	2.4~2.5/5.15~5.85GHz(带机测试)
Impedance	50 Ohm Nominal
V.S.W.R	≤1.92
Return Loss	-10 dB Max
Radiation	Omni-directional
Polarization	Linear, Vertical
Admitted Power	2 W
Connector	MHF
Physical Properties	
Antenna Material	FPCB
Cable Type	Φ0.81mm Black
Operating Temp.	-25~+75 °C
Storage Temp.	-25~+75 °C

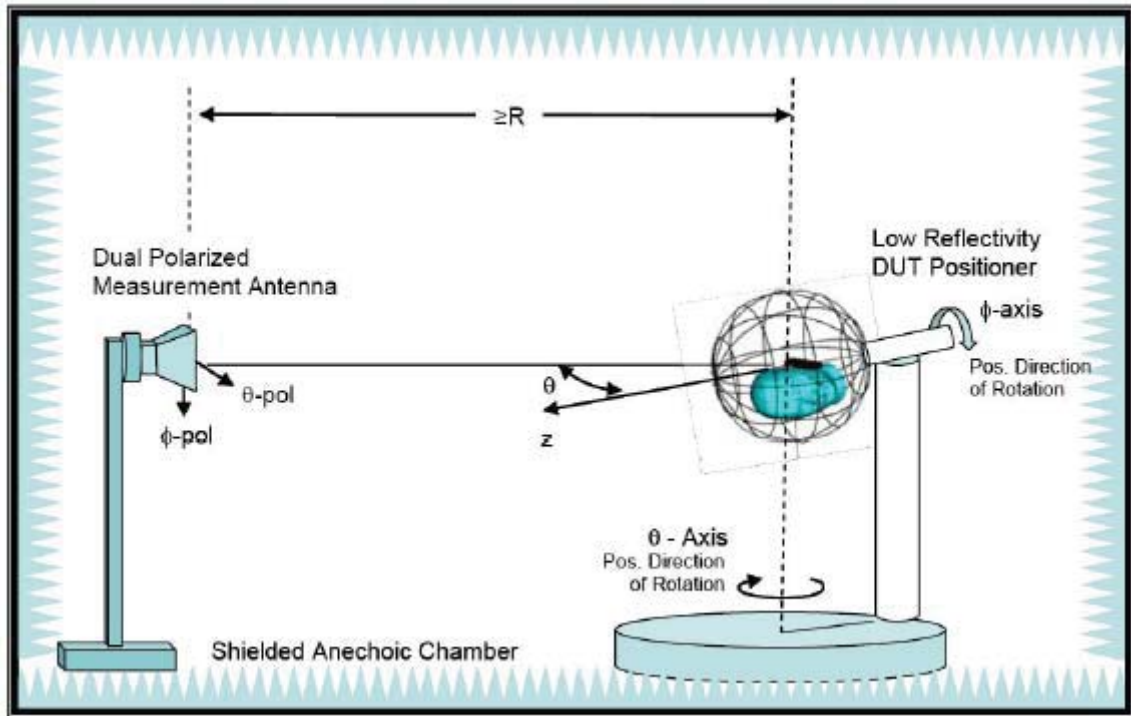
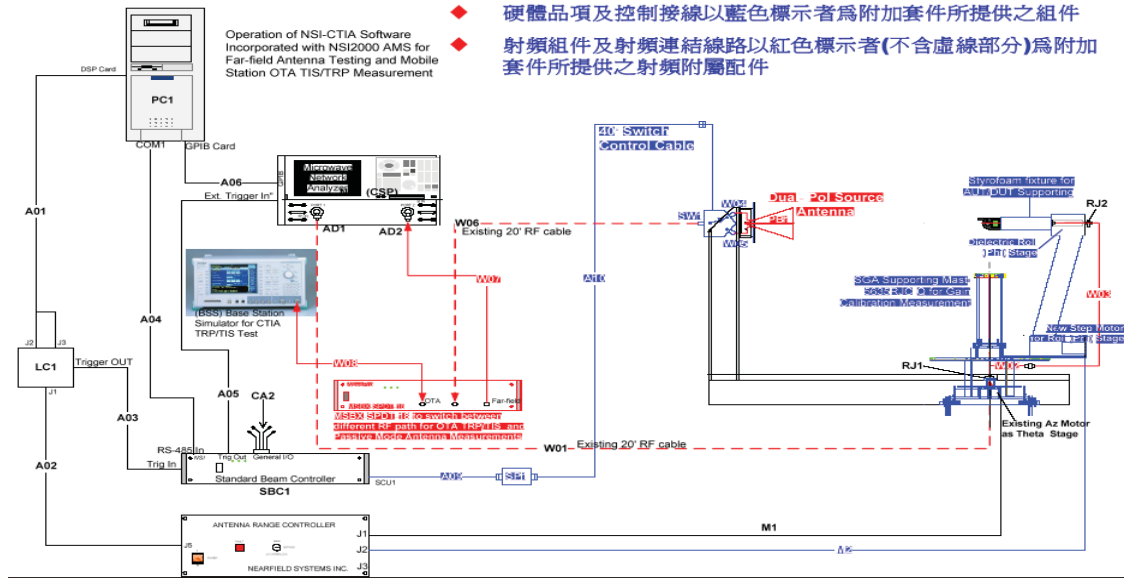
天线组装图

Antenna Profile

<p><i>Device</i></p>	
<p><i>Antenna</i></p>	

测试设备 Test Setup

NFC-500S 3D Chamber Coordinate System Definition



Configuration of 3D Chamber

测试效率

Test Efficiency

Test Point ID	Freq. (MHz)	Gain (dBi)	Efficiency (%)				
1	2400.0	0.84	37.5%	12	5150.0	2.79	48.1%
2	2410.0	1.35	38.1%	13	5200.0	2.49	51.0%
3	2420.0	1.26	43.5%	14	5250.0	2.76	49.4%
4	2430.0	2.15	46.6%	15	5300.0	3.06	52.6%
5	2440.0	2.51	49.0%	16	5350.0	2.38	56.8%
6	2450.0	2.94	54.3%	17	5400.0	3.34	50.0%
7	2460.0	2.99	55.9%	18	5450.0	2.13	49.4%
8	2470.0	2.73	47.2%	19	5500.0	2.56	48.3%
9	2480.0	2.80	46.1%	20	5550.0	3.55	44.5%
10	2490.0	2.61	45.7%	21	5600.0	2.69	46.7%
11	2500.0	2.50	48.1%	22	5650.0	3.56	46.8%
				23	5700.0	2.74	43.9%
				24	5750.0	2.44	43.2%
				25	5800.0	2.66	46.5%
				26	5850.0	2.19	40.3%

2.4WIFI/11b

Channel No	TRP (dBm)	TIS (dBm)
1	12.61	-77.65
6	12.75	-77.85
11	13.87	-78.65

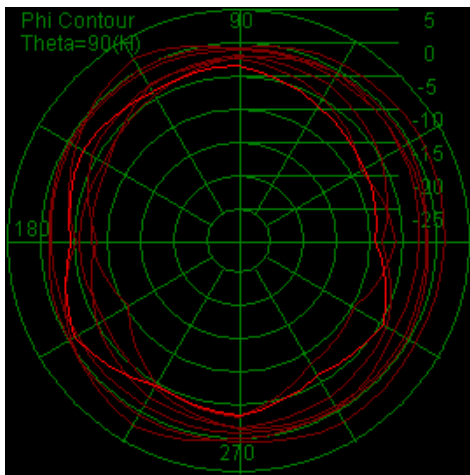
5.8WIFI/11a

Channel No	TRP (dBm)	TIS (dBm)
149	12.24	-70.52
157	12.63	-70.65
161	12.86	-71.32

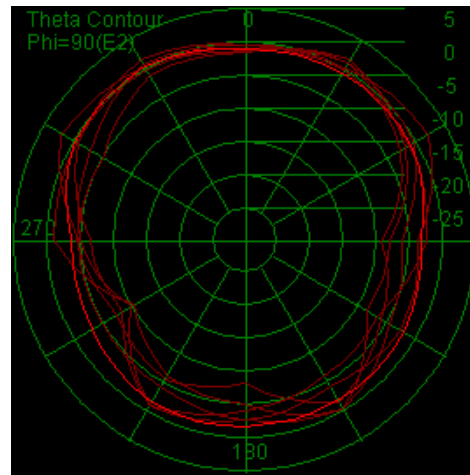
(2.4G) Patten

1.3 2D Radiation patterns test results (Passive Antenna)

XZ Plane

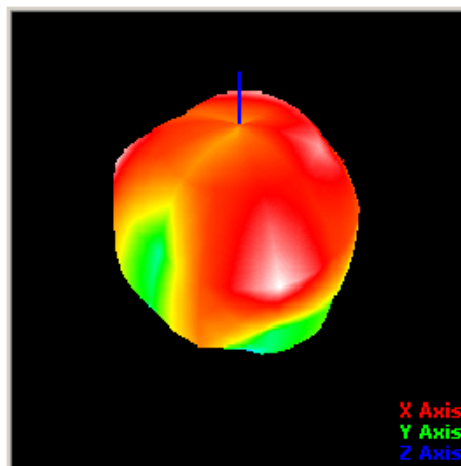


YZ Plane



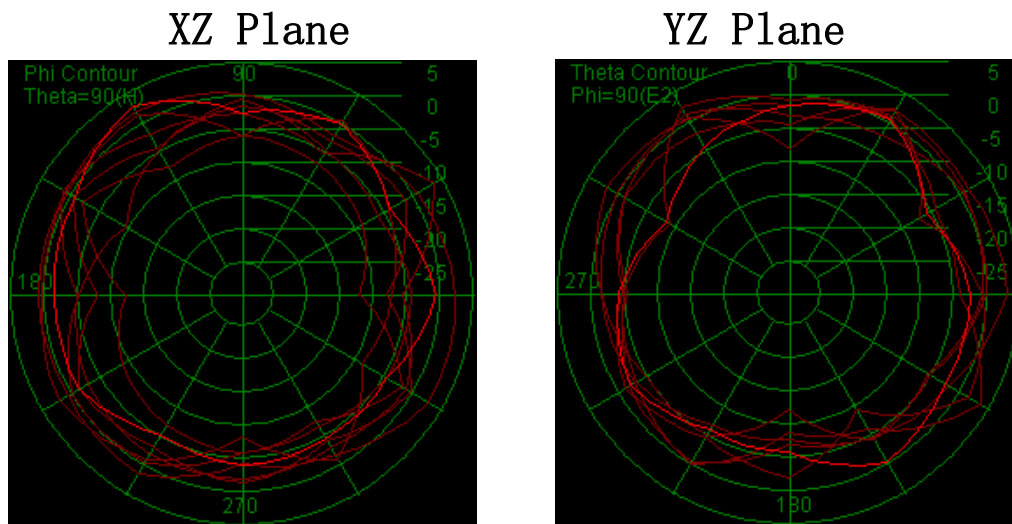
1.5 3D Radiation patterns test results (Passive Antenna)

3D



(5.8G) Patten

1.3 2D Radiation patterns test results (Passive Antenna)



1.5 3D Radiation patterns test results (Passive Antenna)

3D

