

ANYID

AnyID technology(shanghai)Ltd

FR5404 UHF-RFID operating manual



Shanghai Puyue Information Technology Co., Ltd

目 录

1. Basic safety information	4
1.1. intended service.....	4
1.2. Installation and startup	4
1.3. General safety instructions	5
1.4. User Notice	5
2. Product description	6
2.1. Product Introduction	6
2.2. Product features and functions	6
3. Electrical installation.....	7
3.1. Reader Port Description	7
3.2. COM-Port	8
3.3. INPUT	9
3.4. OUTPUT	9
4. Technical Parameter	10
4.1. size	10
4.2. Specification parameters	11
4.3. Function indication	12
4.4. Connection line	12

Revision record

version	Revision date	Revision content	Prepared/Reviewer	Reviewer	Approver
A/0	2020-09-08	release	Kexiaobao	Qianwenwu	Sunchuanqi
B/0	2023-7-25	Modify Format	Kexiaobao	Qianwenwu	Sunchuanqi

ANYLID

1. Basic safety information

1.1. intended service

This manual records hardware related content such as system configuration, installation, and wiring.

For detailed instructions on software usage, please refer to the corresponding software manual.

1.2. Installation and startup

Please take attention that changes or modification not expressly approved by the party responsible for compliance could void the user's authority to operate the equipment.

This device complies with Part 15 of the FCC Rules. Operation is subject to the following two conditions:

- (1) This device may not cause harmful interference, and
- (2) This device must accept any interference received, including interference that may cause undesired operation.

This equipment complies with FCC radiation exposure limits set forth for an uncontrolled environment. This equipment should be installed and operated with minimum distance 20cm between the radiator & your body.

1.3. General safety instructions

Debugging and Inspection

- When carrying out installation, wiring and other operations, please make sure to disconnect all external power sources before proceeding, otherwise there is a risk of electric shock.
- Carefully read the product manual before operation.

authorizing officer

Installation and debugging can only be completed by personnel with sufficient qualifications.

fault

When an irreparable malfunction occurs, please stop operating the equipment and contact the after-sales maintenance department.

1.4. User Notice

- The device described in this manual is named "Reader".
- The RFID tags described in this manual are named "electronic tags".
- If you have any questions about the operation and usage of this product, please consult the after-sales service department.
- In order to improve the product, the company reserves the right to change the product specifications and the content of this manual at any time without prior notice.

2. Product description

2.1. Product Introduction

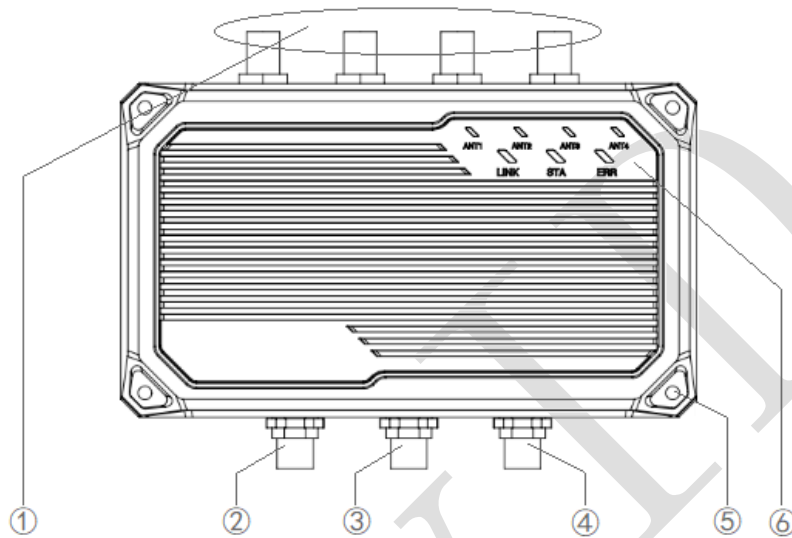


图 2.1 阅读器简介

- | | |
|------------------------|-------------------------|
| ① Radio Frequency Port | ④ Communication Port J3 |
| ② IO Port J1 | ⑤ 4×M4 through-hole |
| ③ IO Port J2 | ⑥ LED |

2.2. Product features and functions

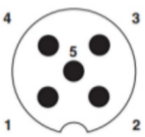
- Support RS232/RS485/LAN interface communication
- Support EPCglobal UHFClass1Gn2/ISO18000-6C standard
- Effective read and write distance of up to 10m (data source: S9028 circularly polarized antenna, impinj E41b ultra-high frequency tag, no other interference environment at room temperature)
- Support active and passive detection modes

3. Electrical installation

3.1. Reader Port Description

IO Port J1/J2

Table 3.1.1 Port J1/J2 define (IO Port)

	PIN	功能
	1	+12V ... +28V DC
2	IQ_1 (PNP)	
3	GND	
4	IQ_0 (PNP)	
5	PE	

Communication Port J3

Table 3.1.2 Port J3 define (COM)

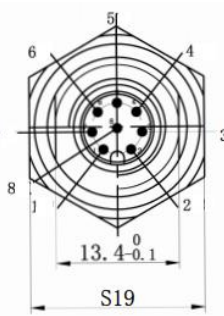
	PIN	功能
	1	DC +12V ... +28V
2	GND	
3	GND	
4	B- (RS485-)	
5	TXD (RS232)	
6	A+ (RS485+)	
7	DC +12V ... +28V	
8	RXD (RS232)	

Table 3.1.3 Port J3 define (POE)

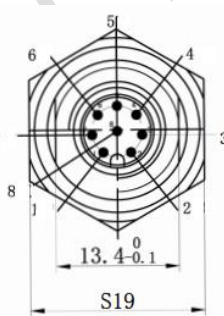
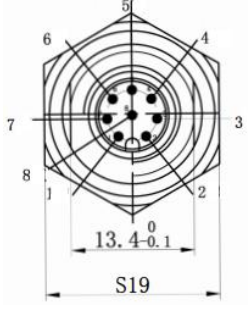
	PIN	功能
	1	DC+ (Model B)
2	DC- (Model B)	
3	DC- (Model B)	
4	TD-/DC (Model A)	
5	RD+/DC (Model A)	
6	TD+/DC (Model A)	
7	DC+ (Model B)	
8	RD-/DC (Model A)	

Table 3.1.4 Port J3 define (LAN)

	PIN	功能
		1
	2	GND
	3	GND
	4	TD-
	5	RD+
	6	TD+
	7	VCC
	8	RD-

3.2. COM-Port

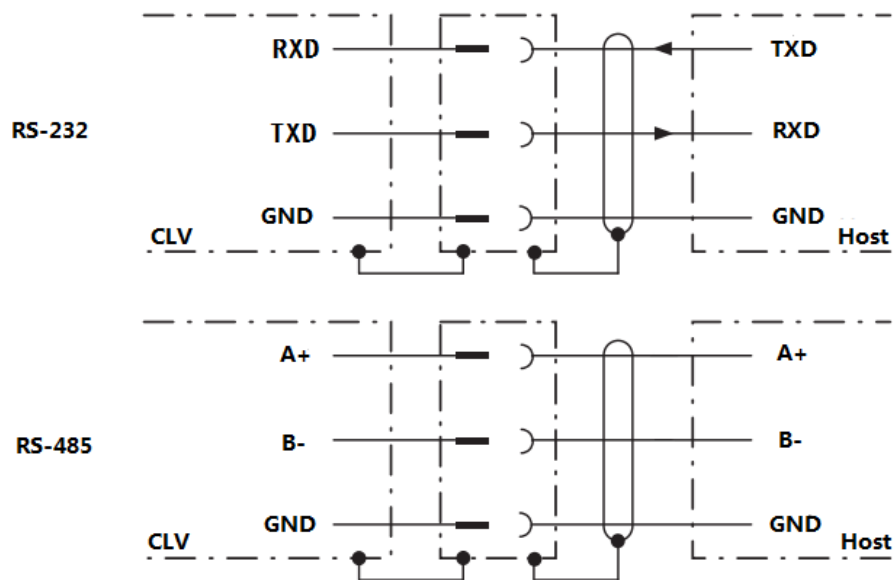
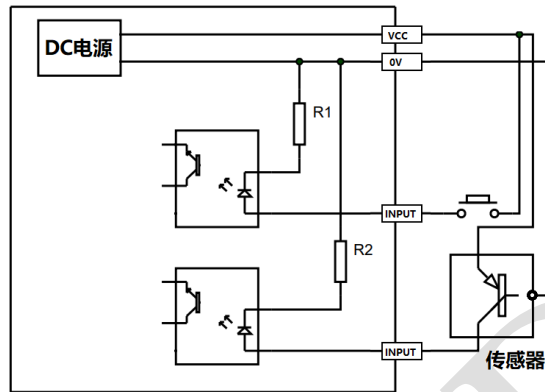


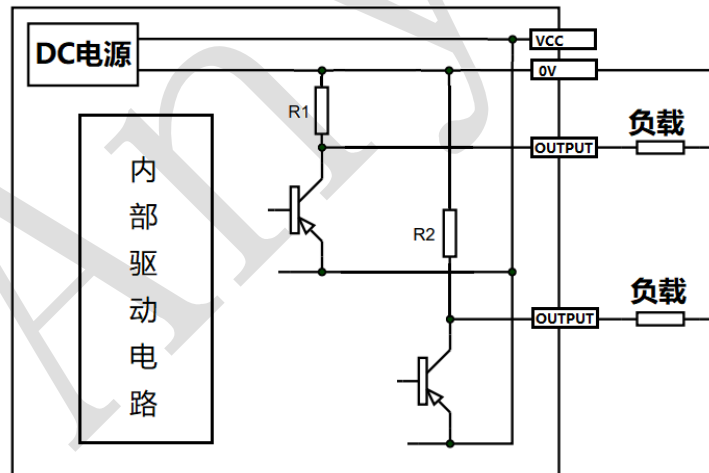
Image 3.2.1 COM-Port

3.3. INPUT



Voltage of ON	DC +6V~VCC
Voltage of OFF	< DC +2V
Response time	<5ms
types	Relay or PNP
LED	ON: bright

3.4. OUTPUT



Max load	500mA	
Response time	OFF-ON	<5ms
	ON-OFF	<5ms
LED	ON: bright	

4. Technical Parameter

4.1. size

accuracy: mm ($\pm 0.1\text{mm}$)

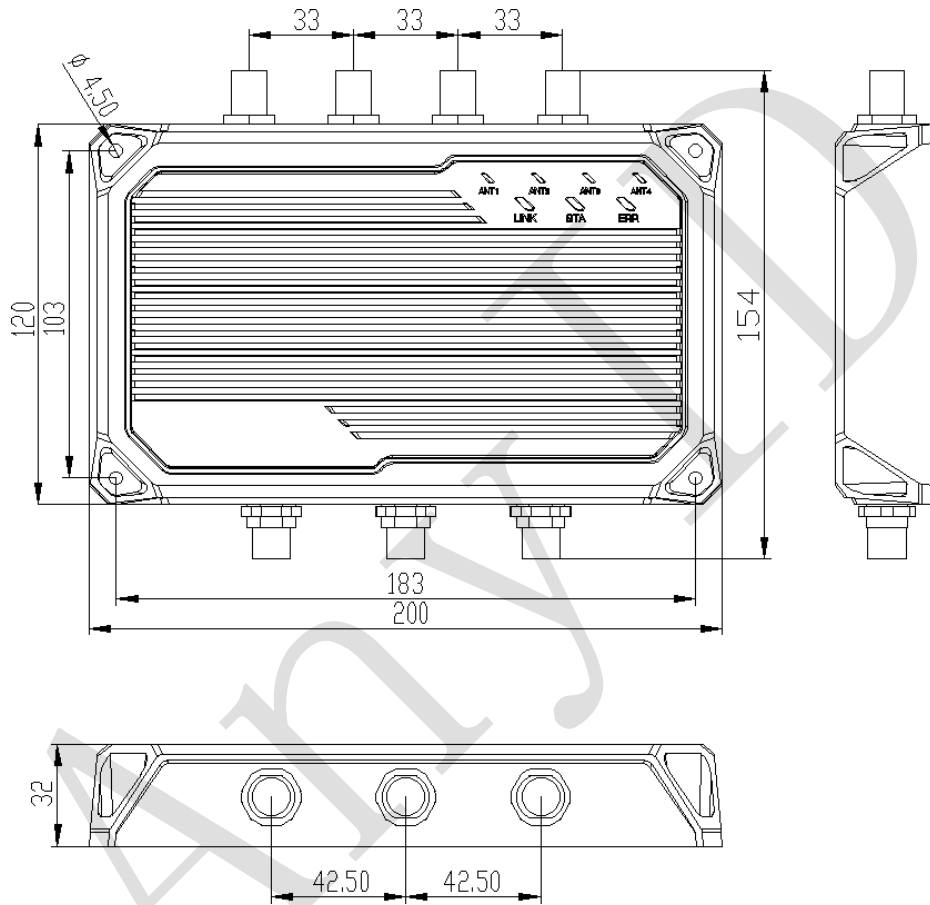


Image 5.1 size

4.2. Specification parameters

Table 4.2.1 Specification parameters

parameters/Model	R5404	R5404E	R5404P
Voltage	+12V ...+28V DC		POE
MAX Power	12W	14W	
Communication Port	RS232&RS485	LAN	
Type of Port	M12 A CODE(8Pin)		
agreement	Modbus RTU/Modbus TCP		
Frequency	902.00MHz-928.00MHz		
Port of antenna	TNC×4		
IO	4DI/DO (PNP)		
RF Power	0~33dBm		
RF agreement	EPCglobal UHFClass1Gen2/ISO18000-6C		
Identification ranges	10m		
protection grade	IP67		
Temperature of Work	-10°C~+65°C		
Size	200mm×154mm×32mm		
Weight	850g		
Material	metal		

4.3. Function indication

Table 4.3.1 Function indication

Function	Status	illustrate
LED-STA	green	<ul style="list-style-type: none"> bright :Work Flicker:Read/Write successfully
LED-LINK	blue	<ul style="list-style-type: none"> Flicker:communication
LED-ERR	red	<ul style="list-style-type: none"> bright :Error
LED-ANT	green	<ul style="list-style-type: none"> Flicker: Work at this port

4.4. Connection line

Table 6-7 M12 A-CODE (5pin-female)

M12-5pin	single	function	color
1	+12V ... +28V DC	V+	brown
2	IO_1	INPUT/OUTPOT	white
3	GND	V-	blue
4	IO_0	INPUT/OUTPOT	black
5	PE	PE	grey

