

WE APPRECIATE FEEDBACK!

Please allow our customer service team to help with any issues before you leave a review.



/atomismartino



/atomi_smart



@atomi.smart

Need assistance?



**DO NOT RETURN THIS
PRODUCT TO THE STORE**

Call 1-800-757-1440

Mon-Fri 9:00 a.m. - 5:00 p.m. EST (U.S.)
or email us at info@atomiusa.com

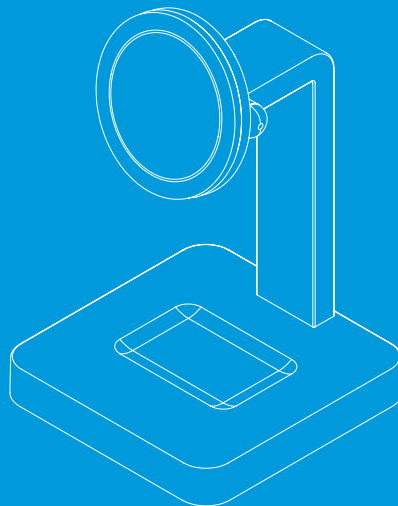


3-in-1 Wireless Charging Stand

Fast Charge Stand +

AirPods® Charge Pad + Smart USB-A Port

User Guide



Date Code: 05/24

Thank you for purchasing the 3-in-1 Wireless Charging Stand

Discover next-generation wireless charging that is quick and convenient for your smartphone, Apple Watch®, AirPods®, and other magnetic charging compatible devices. Built with Ai technology, this charging station smartly identifies your devices to deliver the most efficient and quickest charge possible.

What's Inside

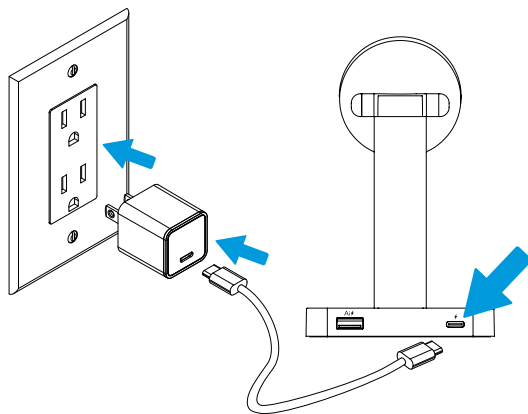
- 3-in-1 Wireless Charging Stand
- USB-C Cable
- USB-C PD Wall Charger
- (2) Magnetic Stickers

Specifications

- USB-C Input: 12VDC, 1.67A
- USB Output: 5VDC 1A, 5W max.
- Wireless Charge Stand Output: 15W
- Wireless Charging for Earphone Case: 3W max.

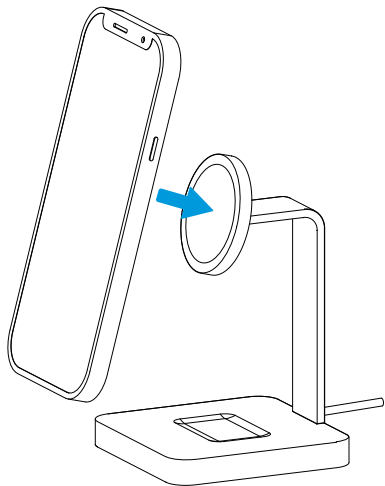
Powering your 3-in-1 Wireless Charging Stand

Connect the included USB-C cable to the charging port on the back of your 3-in-1 Wireless Charging Stand. Then connect the other end of the USB-C cable to the included USB-C PD Wall Charger.



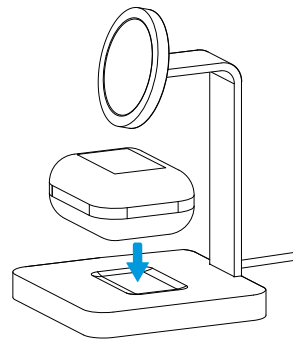
Magnetic Charging

Place your smartphone near the magnetic area on the Wireless Charging Stand. It will attach to your phone and begin charging automatically.



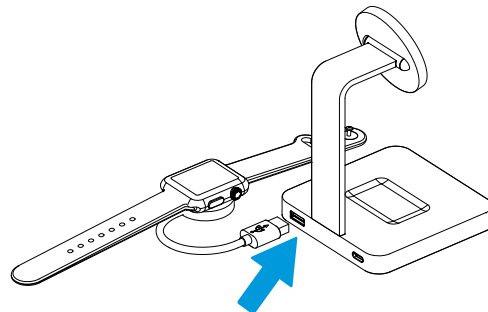
Charging your AirPods®

Place your AirPods® case on the charge pad and it will begin charging automatically.



Charging with the USB-A port

Connect your device to the USB-A port on the back of the 3-in-1 Wireless Charging Stand using a cable compatible with your device (not included).



FCC Warning

This device complies with part 15 of the FCC rules. Operation is subject to the following two conditions: (1) this device may not cause harmful interference, and (2) this device must accept any interference received, including interference that may cause undesired operation. Changes or modifications not expressly approved by the party responsible for compliance could void the user's authority to operate the equipment.

NOTE: This equipment has been tested and found to comply with the limits for a Class B digital device, pursuant to part 15 of the FCC Rules. These limits are designed to provide reasonable protection against harmful interference in a residential installation. This equipment generates uses and can radiate radio frequency energy and, if not installed and used in accordance with the instructions, may cause harmful interference to radio communications. However, there is no guarantee that interference will not occur in a particular installation. If this equipment does cause harmful interference to radio or television reception, which can be determined by turning the equipment off and on, the user is encouraged to try to correct the interference by one or more of the following measures:

- Reorient or relocate the receiving antenna.
- Increase the separation between the equipment and receiver.
- Connect the equipment into an outlet on a circuit different from that to which the receiver is connected.
- Consult the dealer or an experienced radio/TV technician for help.

Radiation Exposure Statement

This equipment complies with FCC radiation exposure limits set forth for an uncontrolled environment. This equipment should be installed and operated with minimum distance 20cm between the radiator and your body.

Supplier's Declaration of Conformity 47 CFR § 2.1077 Compliance Information

Unique Identifier

Trade Name: atomi

Model No.: AT2473

Responsible Party – U.S. Contact Information

Atomi Inc.

10 W. 33rd St. Suite 520, New York, NY10001

212-239-0909

FCC Compliance Statement

This device complies with Part 15 of the FCC Rules. Operation is subject to the following two conditions: (1) This device may not cause harmful interference, and (2) this device must accept any interference received, including interference that may cause undesired operation.

Safety Information

1. Read these instructions carefully for best use.
2. DO NOT use the 3-in-1 Wireless Charging Stand near water or expose it to rain or moisture.
3. DO NOT use the 3-in-1 Wireless Charging Stand near open flames, such as candles, heat sources, radiators and stoves.
4. Only clean the 3-in-1 Wireless Charging Stand with a dry cloth.
5. Caution: Risk of electric shock. Grounding continuity must be maintained.
6. For connection to a power supply not in the U.S.A., use an attachment plug adapter of the proper configuration for the power outlet, if needed.
7. Please check prior use, if output voltage and current of the power supply is suitable for the product.
8. Children should be supervised to ensure that they do not play with the appliance.

For questions or concerns, email us at info@atomiusa.com

Manufactured and marketed by Atomi Inc.

10 West 33rd St., New York, NY 10001

atomi™ is a trademark of Atomi Inc.

Designed by Atomi in New York. Made in China

Three-year limited warranty from the date of purchase against defects in material and workmanship.