

WE APPRECIATE FEEDBACK!

Please allow our customer service team to help with any issues before you leave a review.



/atomismartinc



/atomi_smart



@atomi.smart

Need assistance?



**DO NOT RETURN THIS
PRODUCT TO THE STORE**

Call 1-800-757-1440

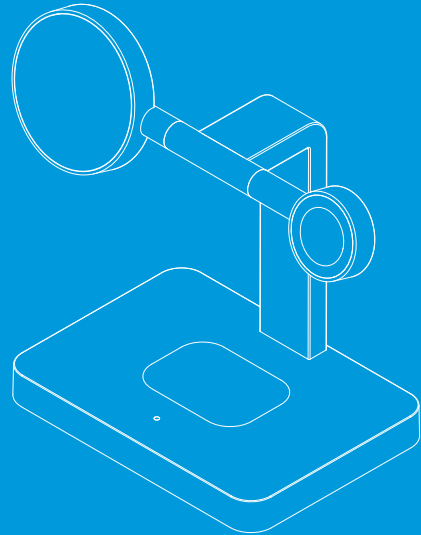
Mon-Fri 9:00 a.m. - 5:00 p.m. EST (U.S.)
or email us at info@atomiusa.com



3-in-1 Wireless Charging Stand

iPhone® Fast Charge Stand +
Apple Watch® Charge Stand +
AirPods® Charge Pad

User Guide



Date Code: 09/23

Thank you for purchasing the Atomi 3-in-1 Wireless Charging Stand

Atomi's 3-in-1 Wireless Charging Stand is a one-stop charging station for your Apple® accessories. You can wirelessly charge your iPhone®, Apple Watch®, and AirPods® in one convenient location. It features 15W magnetic charging to provide faster wireless charging for iPhone® 12 models or later.

Wireless technology removes unnecessary cables to maintain a tidy and organized environment while keeping your devices fully charged.

What's Inside

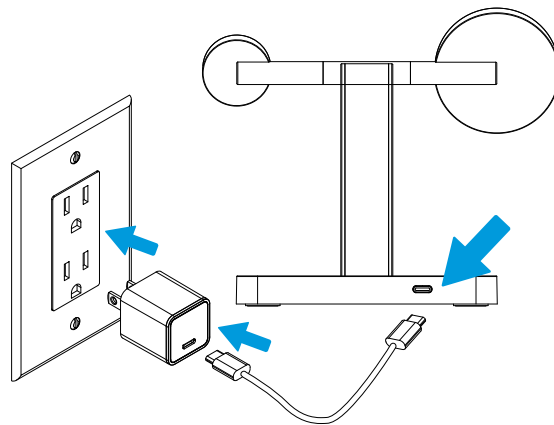
- 3-in-1 Wireless Charging Stand
- Magnetic Sticker
- Wall Charger
- USB-C Cable

Specifications

- Type-C Input: 20W max.
- Wireless Charging for Mobile: 15W max.
- Wireless Charging for Earphone Case: 3W max.
- Wireless Charging for Watch: 3W max.
- Total Output: 18W max.

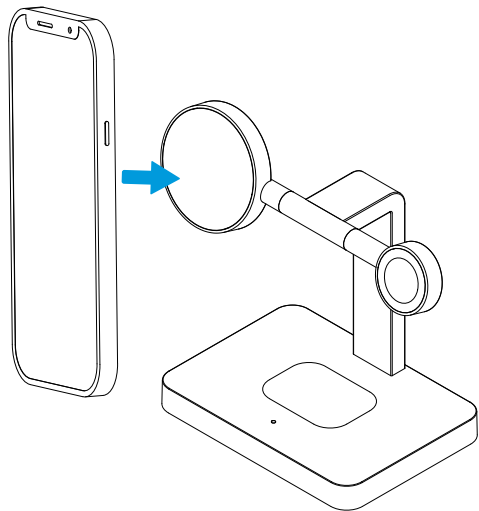
Powering your 3-in-1 Wireless Charging Stand

Connect the included USB-C cable to the charging port on the back of your 3-in-1 Wireless Charging Stand. Then connect the other end of the USB-C cable to the included USB-C PD Wall Charger.



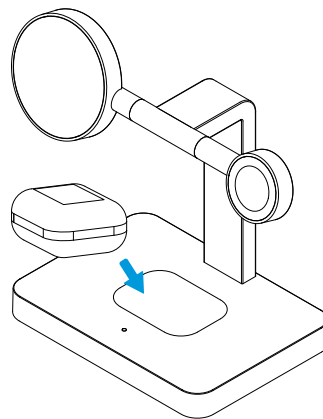
Magnetic Charging

Place your iPhone® near the magnetic area on the Wireless Charging Stand. It will attach to your phone and begin charging automatically.



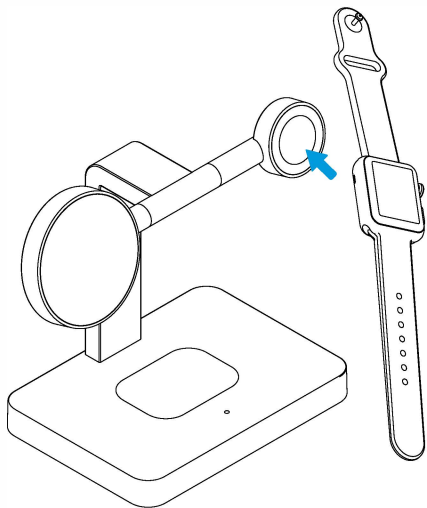
Charging your AirPods®

Place your AirPods® case on the charge pad and it will begin charging automatically.



Charging your Apple Watch®

Place your Apple Watch® near the magnetic area on the Wireless Charging Stand. It will attach to your watch and begin charging automatically.



Supplier's Declaration of Conformity 47 CFR § 2.1077 Compliance Information

Unique Identifier

Trade Name: atomi

Model No.: AT1595

Responsible Party – U.S. Contact Information

Atomi Inc.

10 W. 33rd St, Suite 520, New York, NY10001

212-239-0909

FCC Compliance Statement

This device complies with Part 15 of the FCC rules. Operation is subject to the following two conditions: 1) this device may not cause harmful interference, and 2) this device must accept any interference received, including interference that may cause undesired operation.

Note: This equipment has been tested and found to comply with the limits for a Class B digital device, pursuant to part 15 of the FCC Rules. These limits are designed to provide reasonable protection against harmful interference in a residential installation.

This equipment generates uses and can radiate radio frequency energy and, if not installed and used in accordance with the instructions, may cause harmful interference to radio communications. However, there is no guarantee that interference will not occur in particular installation. If this equipment does cause harmful interference to radio or television reception, which can be determined by turning the equipment off and on, the user is encouraged to try to correct the interference by one or more of the following measures:

--Reorient or relocate the receiving antenna.

--Increase the separation between the equipment and receiver.

--Connect the equipment into an outlet on a circuit different from that to which the receiver is connected.

--Consult the dealer or an experienced radio/TV technician for help.

Changes or modifications not expressly approved by the party responsible for compliance could void the user's authority to operate the equipment.

Radiation Exposure Statement

This device complies with FCC RF radiation exposure limits set forth for an uncontrolled environment.

The FCC certification of this device refers to RF exposure testing performed in typical operating conditions, where a person is no closer than 20 centimeters from the device surface at all times, except for non-repetitive patterns with transient time intervals in the order of a second. Only in the stated conditions, the device is shown to fully comply with the FCC RF Exposure requirements of KDB 447498.

Safety Information

1. Read these instructions carefully for best use.
2. DO NOT use the 3-in-1 Wireless Charging Stand near water or expose it to rain or moisture.
3. DO NOT use the 3-in-1 Wireless Charging Stand near open flames, such as candles, heat sources, radiators and stoves.
4. Only clean the 3-in-1 Wireless Charging Stand with a dry cloth.
5. Caution: Risk of electric shock. Grounding continuity must be maintained.
6. For connection to a power supply not in the U.S.A., use an attachment plug adapter of the proper configuration for the power outlet, if needed.
7. Please check prior use, if output voltage and current of the power supply is suitable for the product.
8. Children should be supervised to ensure that they do not play with the appliance.

For questions or concerns, email us at info@atomiusa.com

Manufactured and marketed by Atomi Inc.

10 West 33rd St., New York, NY 10001

atomi™ is a trademark of Atomi Inc.

Designed by Atomi in New York. Made in China

Three-year limited warranty from the date of purchase against defects in material and workmanship.