

CONTENTS AND BATTERY INSTALLATION

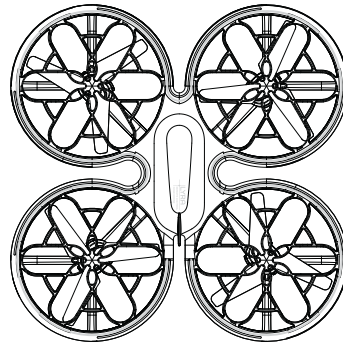
Contents

- 1 Drone
- 1 Remote Control
- 1 Micro USB Cable
- 1 Sticker Sheet

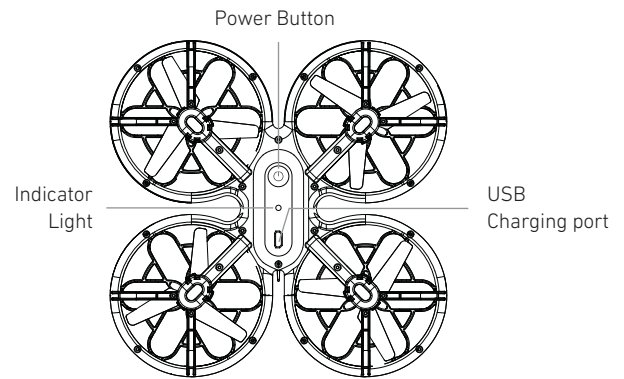
Battery Installation

Remote control:

1. Use a tool to press the button and release the battery cover on the back of the remote control. Slide the battery cover down to remove it.
2. Insert 3 AAA 1.5V batteries (not included) in the same orientation as shown.
3. Slide the battery cover securely back into place.



Top

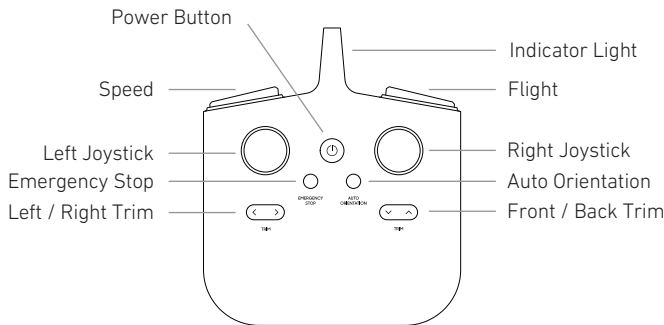


Power Button

Indicator Light

USB Charging port

Bottom



Power Button

Indicator Light

Speed

Flight

Left Joystick

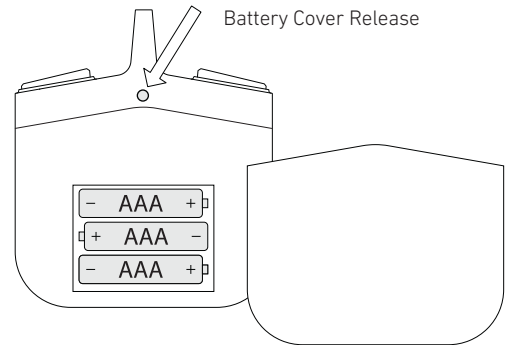
Right Joystick

Emergency Stop

Auto Orientation

Left / Right Trim

Front / Back Trim



Battery Cover Release

HOW TO PLAY

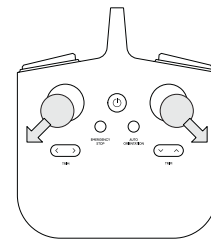
Power and Pairing

1. Plug the Micro USB charging cable into the Micro USB charging port on the drone. The indicator light on the drone will light up while the drone is charging and will turn off when the drone is fully charged. Once the drone is fully charged, unplug the Micro USB charging cable.
2. Place the drone on a level and solid surface to ensure a steady takeoff.
3. Press the power button on the remote control to power on the remote control. The indicator light on the remote control will fade on and off slowly to indicate the remote control is in pairing mode and ready to pair with the drone.
4. Press the power button on the drone to power on the drone. The indicator light on the drone will fade on and off to indicate the drone is in pairing mode and ready to pair with the remote control.
5. Push the left stick forward and quickly backward to pair the remote control to the drone. Once successfully paired, the remote control will play a notification sound and the indicator lights on the remote control and drone will both remain solidly lit.
6. If the remote control and drone do not pair successfully within 60 seconds, both the remote control and drone will enter sleep mode. Power off and power on both the remote control and drone to retry the pairing process.
7. If the connection between the remote control and drone is interrupted, the remote control and drone will automatically enter pairing mode and attempt to pair again. The indicator lights on both the remote control and drone will begin to fade on and off and then will remain solidly lit when paired again. If the indicator light on either the remote control or drone does not begin to fade on and off, either the remote control or drone has not entered pairing mode, and they will not automatically pair again. Power off and power on both the remote control and drone to retry the pairing process. If the indicator light on the remote control does not power on, change the batteries in the remote control. If the indicator light on the drone does not power on, recharge the drone.
8. If there is no input on the remote control for 5 minutes, the remote control and drone will enter sleep mode. To wake from sleep mode, press the power buttons on the remote control and drone.
9. To manually power off the remote control and drone, press the power buttons on the remote control and drone again.

9. Press the auto orientation button to activate auto orientation mode. Press it again to deactivate this mode.
 - a. The drone will always move in the direction you press the right joystick in relation to the remote control, no matter which direction the drone is currently facing.
 - b. Pressing the right joystick up will make the drone fly away from the remote control, and pressing the right joystick down will make the drone fly towards the remote control.
 - c. When auto orientation is active, the remote control will beep every 6 seconds.

If the drone has stability issues after an impact, reset the gyroscope by simultaneously pointing the left joystick to the bottom left and the right joystick to the bottom right as shown. The lights on the drone will flash to indicate recalibration was successful and the drone is ready for flight.

If the resetting the gyroscope does not resolve the issue, power off and power on the drone and remote control and pair both again.



Note: The recalibration process in step 1 can be used to clear previous trim settings before flights.

Controls

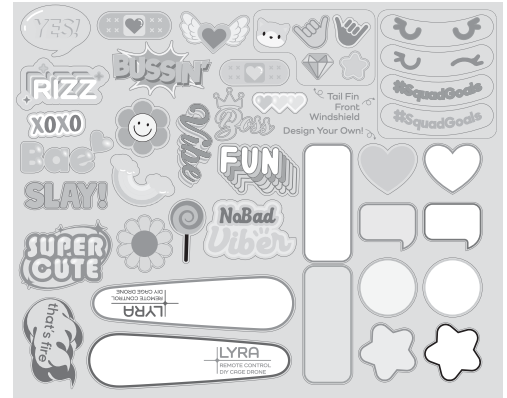
1. Choose either auto takeoff or manual takeoff to launch the drone.
2. Auto Takeoff: Press the assisted flight button to launch the drone automatically. The drone will fly up and hover at an altitude between 1.5 m and 2 m.
3. Manual Takeoff: Press the left stick forward to launch the drone up to a chosen altitude and then release the left stick to make the drone hover at that altitude.
4. After takeoff, the drone should hover in place if there is no input from the remote control (minor drift is to be expected when flying outdoors). Press the left / right trim and front / back trim buttons as needed to calibrate the neutral flight of the drone and reduce any drift.
5. Push the left stick forward to fly the drone up and pull the left stick backward to fly the drone down.
6. Push the left stick to the right to spin the drone clockwise and push the left stick to the left to spin the drone counterclockwise.
7. Push the right stick forward to fly the drone forward and pull the right stick backward to fly the drone backward.
8. Push the right stick to the right to fly the drone right and push the right stick to the left to fly the drone left.

10. Press the speed button to switch to high speed. The remote control will beep twice.
 11. Press the speed button again to switch to low speed. The remote control will beep once. Low speed is the default flight mode and will be activated each time the remote control and drone are paired.
 12. Choose manual landing or auto landing to land the drone.
 13. Manual Landing: Starting with the drone at any altitude, pull and hold the left stick backward to fly the drone down slowly. When the drone lands, the propellers will shut off automatically within 3 seconds.
 14. Auto Landing: Starting with the drone at any altitude, press assisted flight button and the drone will automatically slowly land. The left stick will stop controlling whether the drone flies up or down but will still control clockwise and counterclockwise spin. The right stick will continue to function as normal. When the drone lands, the propellers will shut off within 3 seconds.
- Note: If connection is lost during normal flight, the drone will hover and attempt to pair to the remote control for 5 seconds. If pairing is unsuccessful, the drone will begin auto landing.
15. In the event of an emergency, press and hold the emergency stop button for 2 seconds. All the propellers will stop immediately, and the drone will fall.
- IMPORTANT:** Only use the emergency stop when necessary. Unnecessary falls may damage or destroy the drone.
16. Once the drone has landed and the propellers have stopped spinning, press the power buttons on the remote control and drone to power off both.

8+

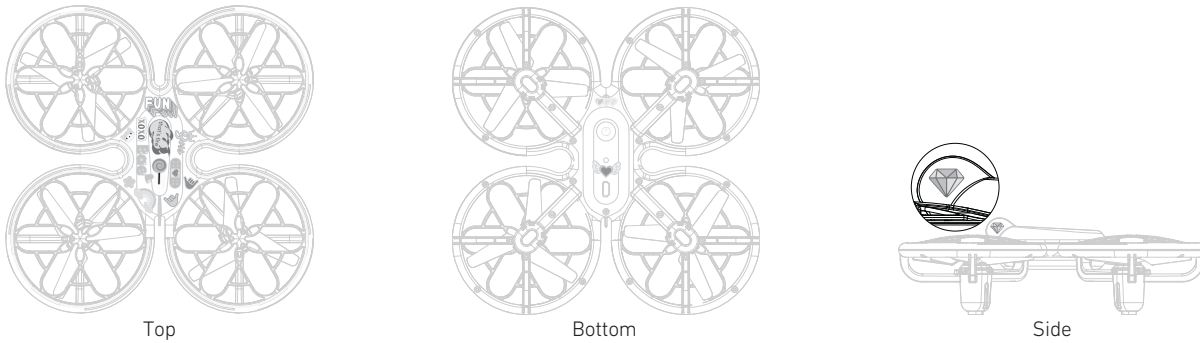
CUSTOMIZE WITH STICKERS

1. Only apply stickers to the white area on the drone drawings.
2. Improper placement could result in poor performance.



Sticker Sheet

Correct Example



SAFETY PRECAUTIONS

SAFETY WARNINGS: PLEASE READ BEFORE USE

- Adult supervision required.
- Do not touch spinning propellers.
- Use this item only for its intended purpose. Do not pilot the drone towards people, animals, or fragile objects. May cause injury or property damage.
- Do not expose to extreme temperatures or moisture.
- Thoroughly inspect products before every use. If the product appears worn, frayed/splintered, cracked, or broken in any manner, discontinue use and discard immediately.
- For indoor use only.
- Use caution and pay attention to your surrounding while operating this item.
- Always turn off when not in use.

RECHARGEABLE BATTERY WARNINGS: NON-REPLACEABLE BATTERY

- This product contains batteries that are non-replaceable.
- There is a risk of fire and personal injury if battery is punctured, damaged, or misused.
- Do not dismantle, crush, incinerate or short-circuit battery.
- Never expose battery to extreme temperatures or moisture.
- Keep away from flammable materials and direct sunlight.
- Only charge using the provided charger, cable, and and/or adapters.
- Rechargeable battery is only to be charged by an adult.
- Adult supervision is required while charging the battery.
- Allow battery to cool to room temperature before charging.
- Charge on a non-flammable surface and keep away from flammable products.
- Discontinue charging if battery becomes hot, swells, smokes, or gives off a strong odor.
- Battery chargers used with the product are to be regularly examined for damage to the cord, plug, enclosure, and other parts. In the event of such damage, chargers must not be used until the damage has been repaired.
- Recycle or dispose of battery according to federal, state, and local laws.
- Keep these instructions for future reference.

BATTERY WARNINGS

- Do not mix old and new batteries.
- Do not mix alkaline, standard (carbon-zinc), or rechargeable batteries.
- Alkaline batteries are recommended. Use only the specified voltage.
- Insert batteries using the correct polarity. Always use, replace, and recharge (if applicable) batteries under adult supervision.
- Do not charge with non-rechargeable batteries.
- Do not short-circuit the battery supply terminals.
- Do not dispose of batteries in fire, batteries may explode or leak.
- Remove batteries (if removable) before storing.
- Recycle or dispose of batteries according to federal, state, and local laws.

This device complies with Part 15 of the FCC Rules. Operation is subject to the following two conditions: (1) this device may not cause harmful interference, and (2) this device must accept any interference received, including interference that may cause undesired operation.

Note: This equipment has been tested and found to comply with the limits for a Class B digital device, pursuant to part 15 of the FCC Rules. These limits are designed to provide reasonable protection against harmful interference in a residential installation. This equipment generates, uses and can radiate radio frequency energy and, if not installed and used in accordance with the instructions, may cause harmful interference to radio communications.

However, there is no guarantee that interference will not occur in a particular installation. If this equipment does cause harmful interference to radio or television reception, which can be determined by turning the equipment off and on, the user is encouraged to try to correct the interference by one or more of the following measures:

- Reorient or relocate the receiving antenna.
- Increase the separation between the equipment and receiver.
- Connect the equipment into an outlet on a circuit different from that to which the receiver is connected.
- Consult the dealer or an experienced radio/TV technician for help.

Warning: Changes or modifications to this unit not expressly approved by the party responsible for compliance could void the user's authority to operate the equipment.

Sharper Image® name and logos (including the 77 logo) are trademarks or registered trademarks. Distributed by and © 2024 MerchSource, LLC. Irvine, CA 92618. All rights reserved.

Model No.: 1018501



KEEP THIS INSTRUCTION MANUAL AS IT CONTAINS IMPORTANT INFORMATION FOR FUTURE REFERENCE.

Due to continuous product improvements, the pictures on this manual may differ slightly from the actual product.

Printed in China

**FOR CUSTOMER SUPPORT,
PLEASE CALL**

1-800-374-2744