

Antenna test Report

Client: Shenzhen Wokexun Electronic Technology Co. , Ltd

Project name:AK61

RF:JiangYa

Date:2023.10.26

Version:V0.1

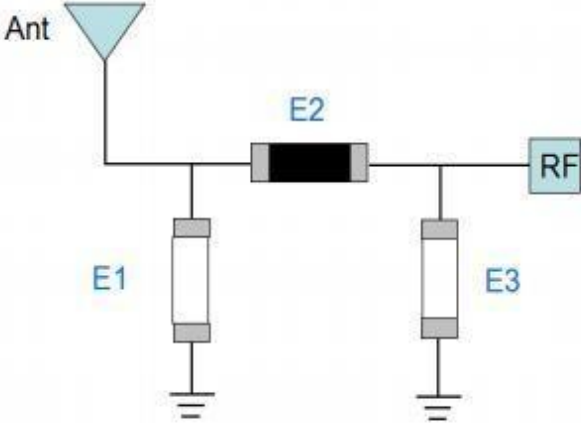
Laboratory testing environment and equipment



Test items	Test equipment
S11、 S12 、 VSWR 、 LOSS	network analyzer E5071B、 E5062A
Efficiency、 Gain 3D Radiation Pattern	Satimo SG16 darkroom、 GP7*4*3 darkroom、 E5071B
TRP、 TIS	Satimo SG16 darkroom、 GP7*4*3 darkroom、 8960 、 CMW500、 MT8820C、 E4438C、

Type of complete machine	Adult bracelet				
		Frequency band information	antenna form	Matching	Gain (dBi)
Antenna type and frequency band information	antenna	2400-2500MHz	IFA	NA	0.00
Antenna material	FPC				

Suggested Matching Circuit

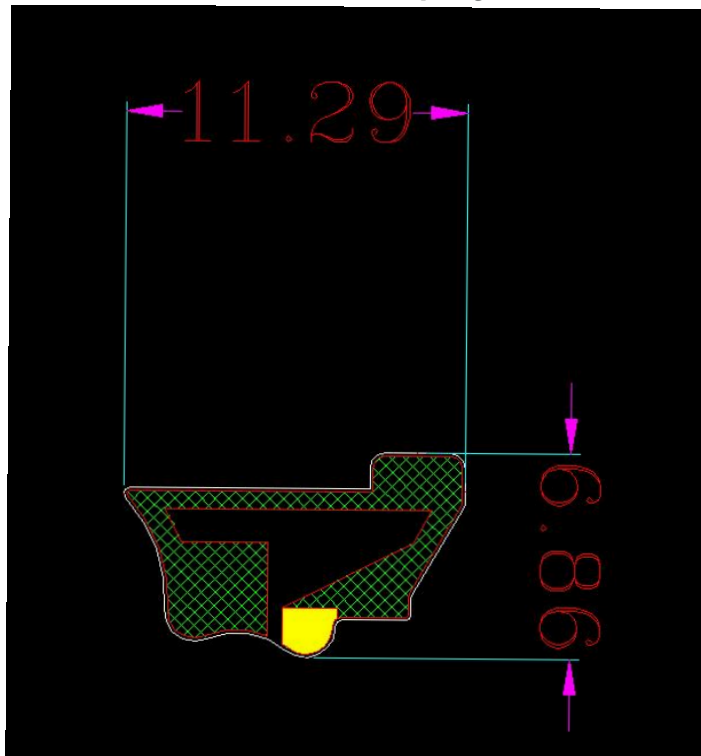


	Element	Value	Description of attached drawings
main	E1(0201)		
	E2(0201)	0Ω	
	E3(0201)		



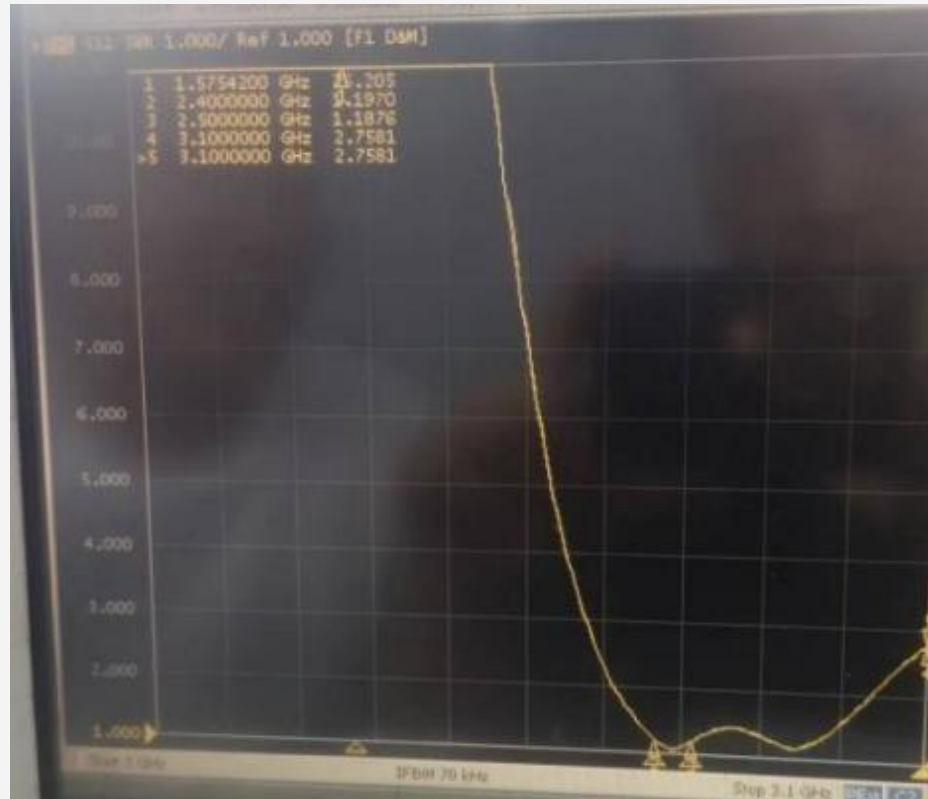
Figure antenna structure

天线实物图片 physical picture



6.86*11.29mm

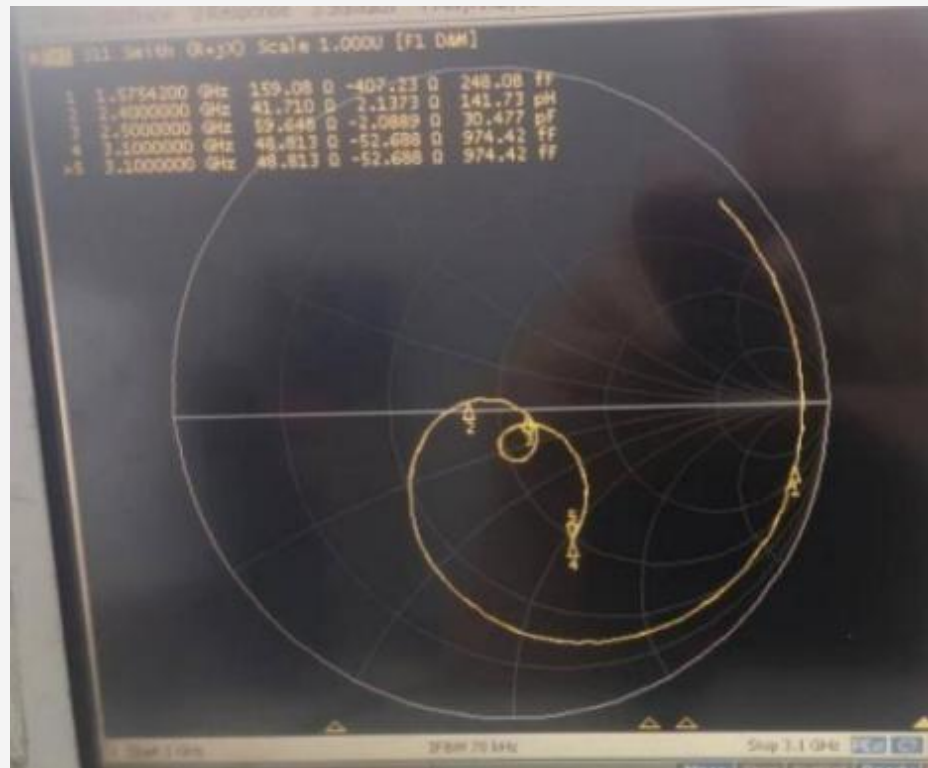
S11



S11



S11

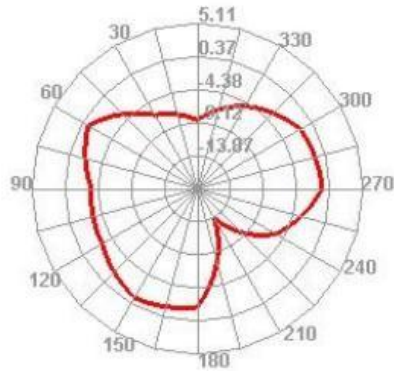


Passive Efficiency

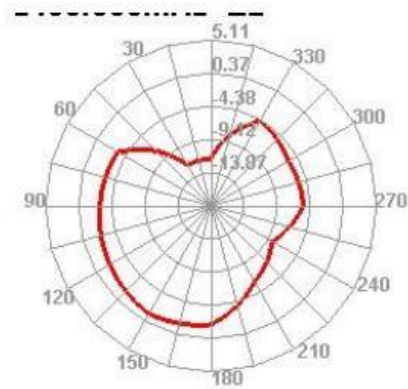
Freq (MHz)	Effi (%)	Effi (dB)	Gain (dBi)
2400	41.95	-3.77	-0.12
2410	38.79	-4.11	-0.02
2420	38.24	-4.17	-0.07
2430	38.04	-4.2	-0.05
2440	40.61	-3.91	0.00
2450	40.82	-3.89	-0.01
2460	40.18	-3.96	-0.03
2470	37.63	-4.24	-0.06
2480	38.87	-4.1	-0.04
2490	41.34	-3.84	-0.01
2450	39.42	-4.04	-0.03

Radiation Pattern

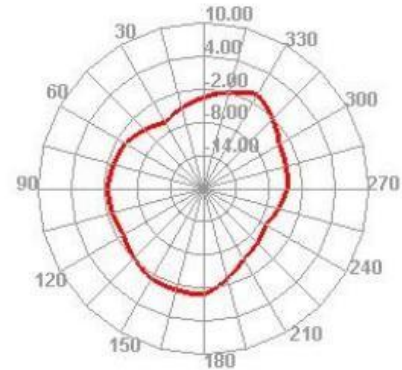
2.4GHZ



X-Y 面



X-Z 面



Y-Z 面

Contact Information

RF : JiangYa

Tel : 13047098007

E-mail : samuel720@163.com

supplieraddress: 601, building E, 8th Seongbuk District, Shangxue Science & Technology, xinxue community, Bantian Street, Longgang District, Shenzhen, China