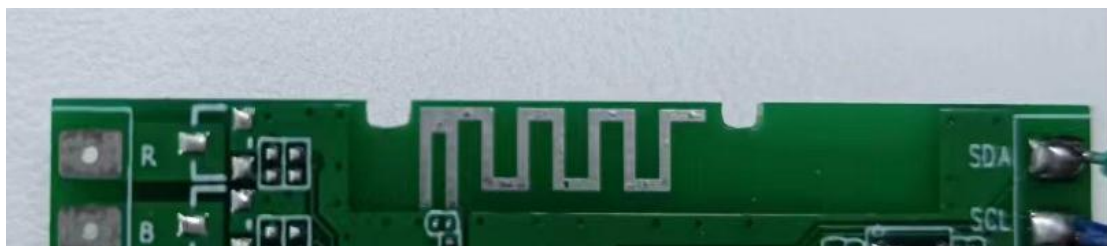
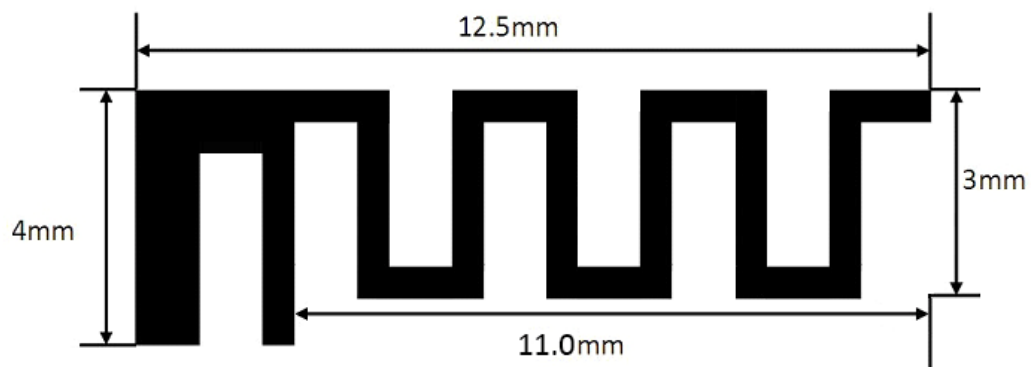
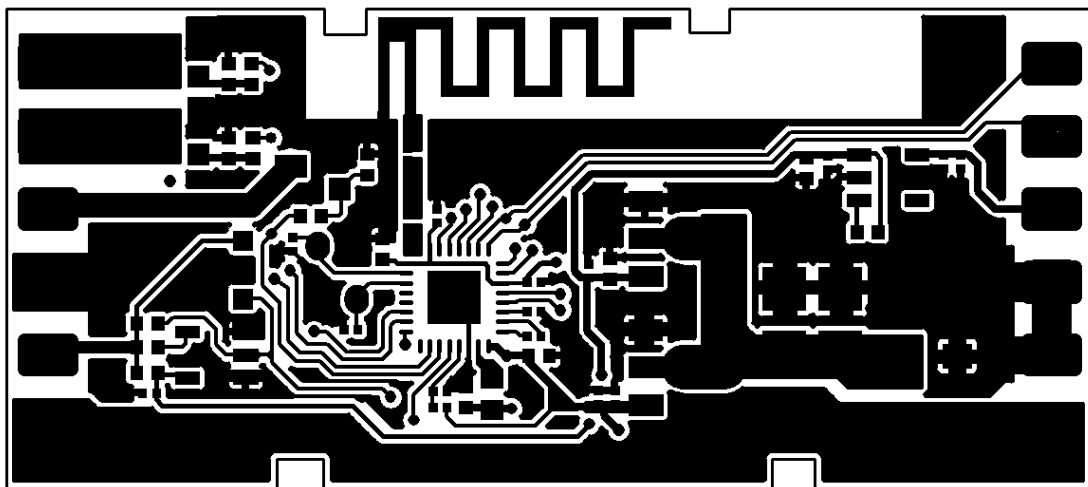
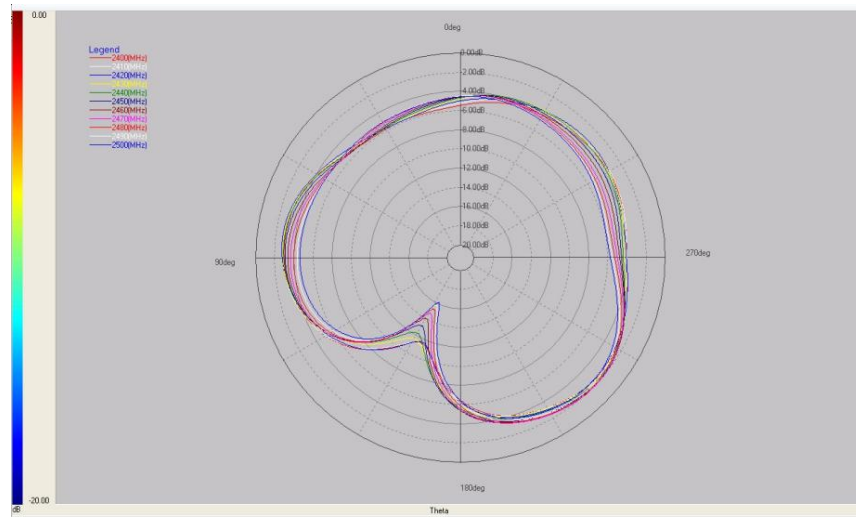


1. Antenna Specification

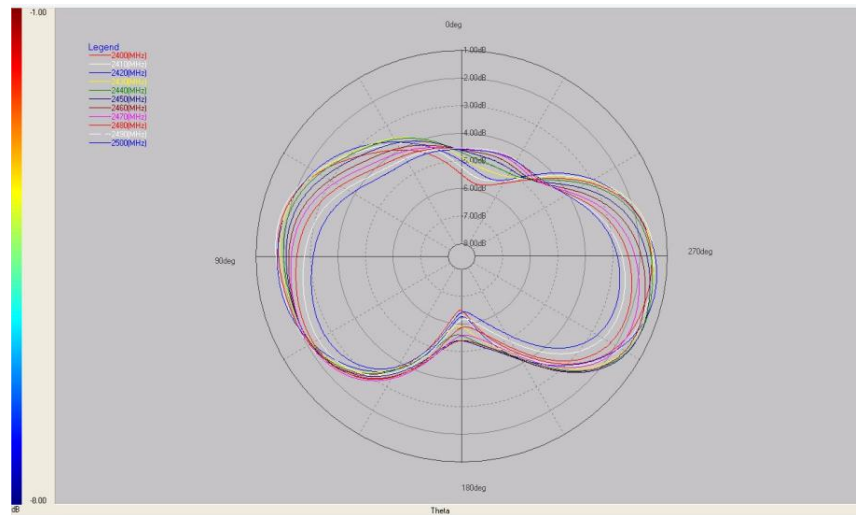
Item	Specification
Working Frequency Range	2.4-2.5GHz
Max PK Gain	2400MHz:-1.3dBi 2450MHz:-1.3dBi 2500MHz:-1.3dBi
VSWR	2.0 Max
Polarization	Linear
Type	PCB
Impedance	50 Ω
Manufacture	ZHUHAI JIELI TECHNOLOGY CO.,LTD



Phi=0



Phi=90



Theta=90

