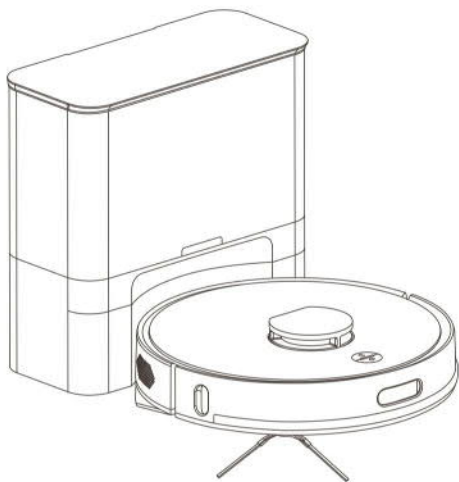


ILIFE-T20s

Self-Empty Robot Vacuum Cleaner

User Manual



English

Español

For more details, please
visit www.iliferobot.com

ILIFE

Dear Customer,

Thank you for purchasing ILIFE T20s robotic vacuum cleaner!
You've joined the millions of people who clean with robots - the smarter way to get it done.

Please take a few moments to read this manual and get acquainted with your robot, to get the best performance from your robot. If you have any problems with your robot please do not hesitate to contact our customer service or visit our website at www.iliferobot.com for more information.

Stay connected with us on Facebook and Twitter to enjoy these exclusive benefits:

- Get support tailored to your specific robot, including answers to questions, maintenance tips, video demos, live chat and more.
- Get product updates and other valuable information among the first to find out about new robots, exclusive discounts and special promotions.

Connect with us right now at
Facebook: <https://www.facebook.com/ilifeglobal>
Twitter: https://twitter.com/ilife_global

Enjoy a thorough cleaning every day!
Best regards,
ILIFE Innovation

ILIFE Customer Service



1-800-631-9676 (Toll free for North America)

Mon-Fri: 8:00 am - 4:30 pm CST



service_us_ca@iliferobot.com

Table of Contents

Safety Instruction	4
Product Composition	6
List of accessories	6
Host introduction	7
Indicator status	7
Sensor and structure	8
Self-empty station	9
Dust bin assembly	9
Installation	10
Precautions	10
Mopping function	14
APP Connection	15
Preparation before connection	15
Hotspot networking (compatible mode)	16
Connect with Amazon Alexa or Google Assistant	17
How To Use	18
Use Instructions	18
Intelligent cleaning (default mode)	20
Cleaning as required	21
Cleaning of selected area	22
Cleaning of defined area	23
Restricted area setting	24
Scheduled cleaning	25
DND mode	25
Other APP functions	25

Routine Maintenance	26
Roller brush	26
Side brush	27
Dust bin and filter	28
Wash the dust bin	29
Clean the infrared obstacle avoidance sensor	30
Clean the cliff sensor	30
Clean the charging contact	30
Clean the signal emission region on the Self-empty station	31
Battery	31
Firmware upgrade	31
How to change the dust bag	32
Clean the Self-empty station dust channel	33
Clean the Self-empty station infrared sensor/Charging contact shrapnel	33
Product Specification	34
Main unit	34
Self-empty station	34
Common Problems	35
Troubleshooting	37
FCC Information	38

Safety Instructions

Use Restrictions

- This product can only be used for floor cleaning at home. Please do not use it in outdoor (such as an open balcony), non-ground (such as a sofa), commercial or industrial environment.
- Do not use the machine in the suspended environments without protective fences (such as duplex floor, open balcony, and top of furniture).
- Please hang up the ground wires at home before use to avoid dragging the wires when the main unit is running.
- Please put away the fragile articles and sundries (such as vases, plastic bags, etc.) on the ground; otherwise, the machine may be blocked or a slight collision may cause damage to valuables at home.
- Do not allow people (including children) with physical, mental or perceptual disabilities to use or operate this product.
- Do not allow children to use the machine as a toy. When the machine is working, please keep children and pets away from the machine.
- Keep the cleaning brush out of reach of children.
- Do not place any objects (including children and pets) on the stationary or moving machine.
- When the machine is working, keep the hair, fingers and other parts of human body or pet away from the dust suction inlet of the machine.
- Do not use the machine to clean long-haired carpets. Some dark carpets might not be cleaned normally).
- Do not use the machine to clean long-haired carpets. Some dark carpets might not be cleaned normally).
- Do not use the machine to vacuum hard or sharp objects, such as decoration waste, glass, nails, etc.
- Do not use the protective cover of the laser ranging sensor or bumper as a handle to carry the machine.

Safety Instructions

- Please clean or maintain the machine and charging base when the machine is shut down or powered off.
- Do not use a damp cloth or any liquid to wipe any part of the machine.
- Please follow the instructions in the manual when using the machine. Any loss and injury caused by improper use of the product shall be borne by the user.
- Do not use the mopping function on the carpet or the top of furniture.
- Remove the water tank when charging the machine.

Battery and Charging

- Do not use any third-party batteries, charging bases or chargers.
- Do not disassemble, repair or modify the battery or charging base without permission.
- Do not place the charging base near heat sources such as heating radiators.
- Do not use a damp cloth or wet hands to wipe or clean the charging base strapne
- Dispose of used batteries properly and send them to professional recycling agencies.
- If the power line is damaged or broken, stop using it immediately and buy a new one through official channels.
- When transporting the product, ensure that the machine is shut down, and it is recommended to use the original packaging box for packaging.
- If you do not use the machine for a long time, fully charge it, power if off and put it in a cool and dry place. The machine shall be charged at least once every three months to avoid damage to th e battery due to over- discharge.

Product Composition

List of accessories



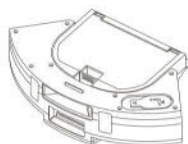
Robot



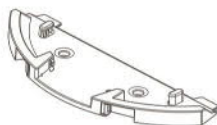
Self-empty station



Dust bag



2 in1 Dustbin&
water tank



Mopping support



Mop cloth



High Performance Filter



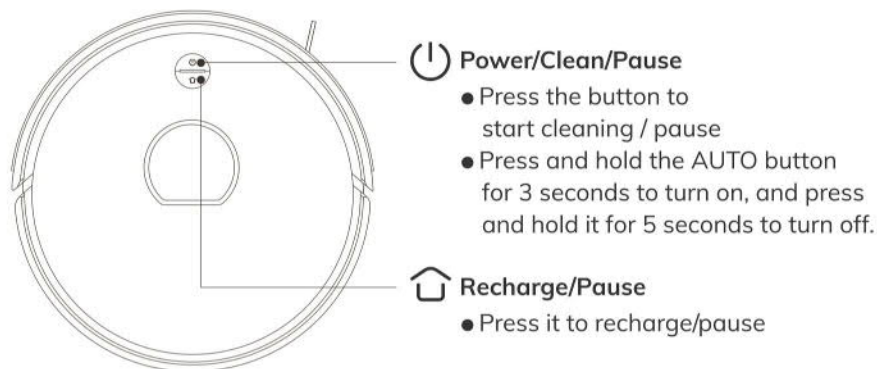
Side brush



User Manual

Product Composition

Host introduction

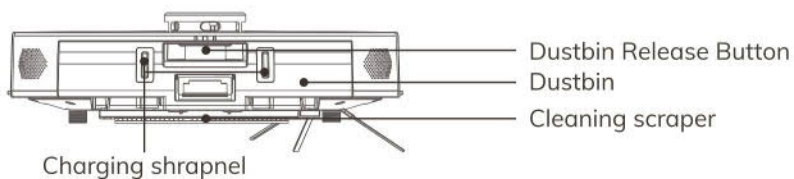
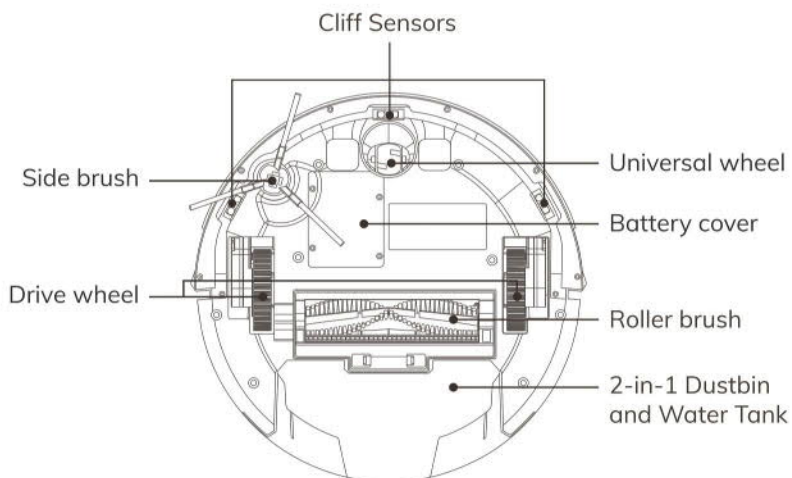
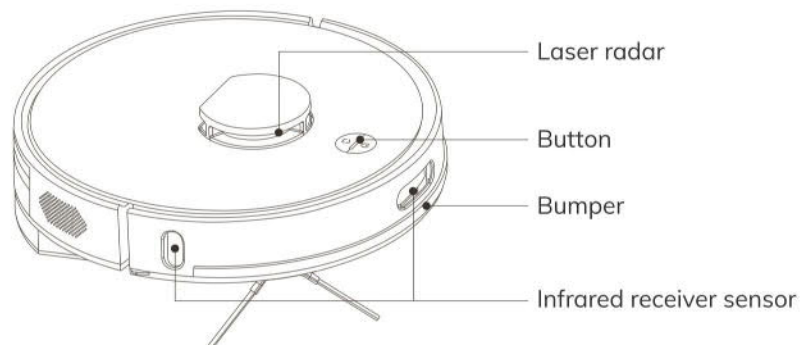


🔌 + 🏠 Indicator status

Status	light
Cleaning	Green light on
Recharging	Green light flickering
Charging	Orange light flickering
Low power	Orange light flickering
Fullycharged	The green light stays on and then goes out
Alarming	Red light flickering
Standby	Off

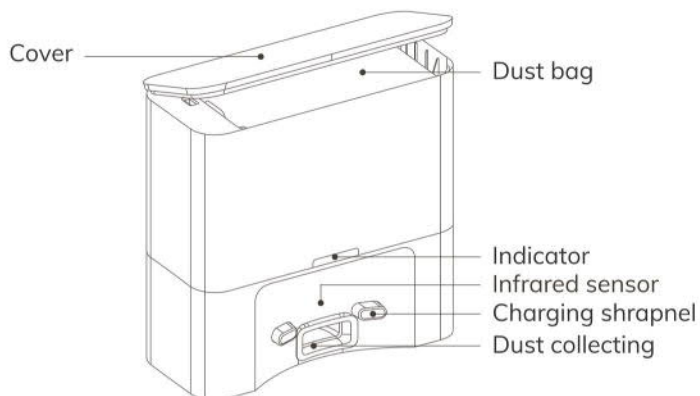
Product Composition

Sensor and structure

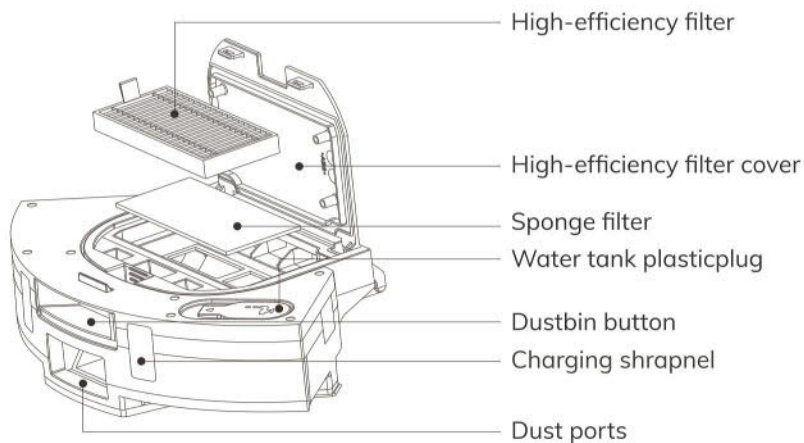


Product Composition

Self-empty station

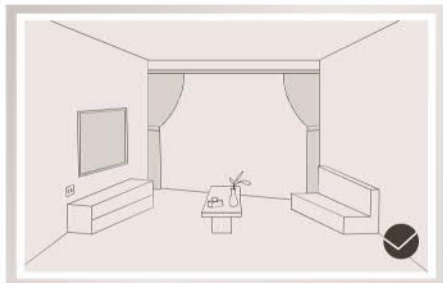
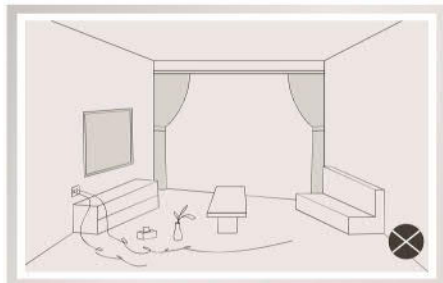


Dust bin assembly

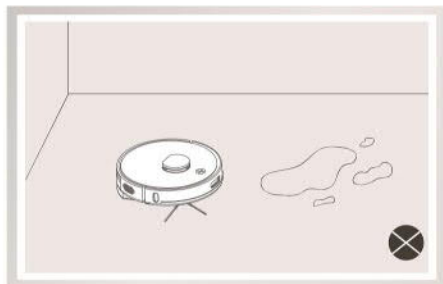


Installation

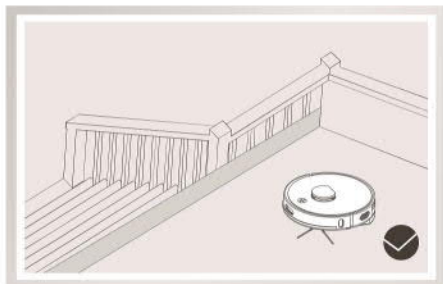
Precautions



Before starting the vacuum cleaner, clean up wires and sundries scattered on the ground, and remove easy-to-fall, fragile, valuable and potentially dangerous items. Avoid being entangled, stuck, dragged or knocked down by the main unit; otherwise, personal injury or property damage may be caused.



Do not use the robot to clean liquid

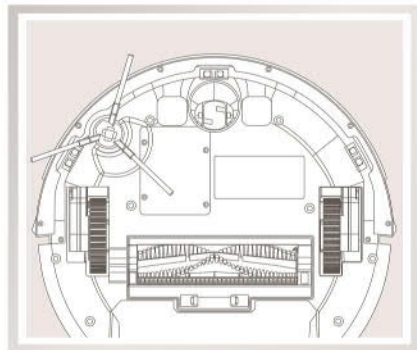


When used in a suspended circumstance, it shall be protected by rails to avoid accidental falling or pushing other articles from falling; otherwise, personal or property damage may be caused.

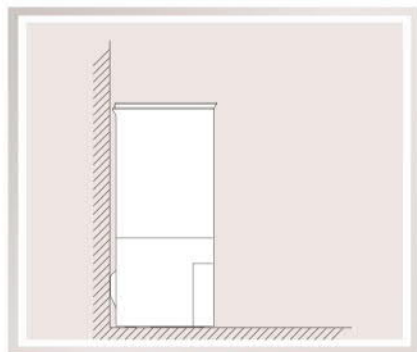
Installation

1 Install side brushes

When pressing the side brush against the bottom housing, you will hear a “click” sound, and it means that the side brushes are installed in place.

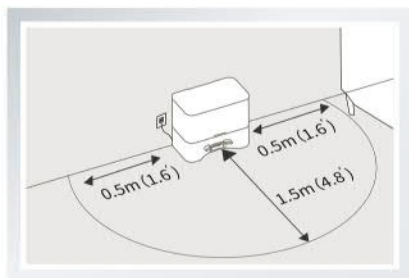


2 Take out and place the Self-empty station on a flat floor against the wall and tidy up the redundant wires



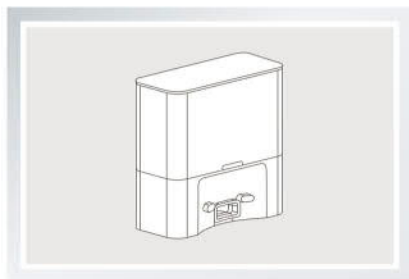
Installation

- 3 Clean up the sun dries around the station and connect the power supply that meets the requirement of electricity consumption

**Note:**

Ensure space more than 0.5m from the left and right to the charging base and 1.5m in front of the charging base.


- 4 Do not move the charging base at will; avoid direct sunlight on the charging base

**Note:**

The sunlight may interfere the recharging signal, which may cause the robot vacuum cleaner to fail to return to the charging base.

Installation

5 Power on and charge

Press and hold the  button to power on. When the indicator light is normally on, put the main unit against the charging base for charging; when you hear the voice of “Start charging”, it means that the robot is being charged successfully.



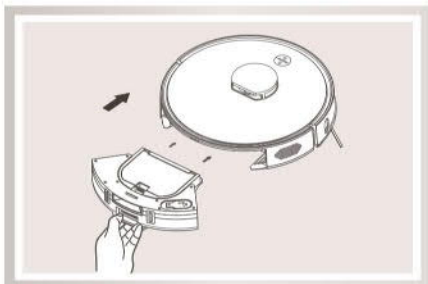
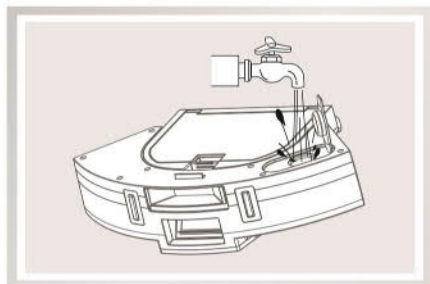
Note:

If the battery is at low level, the robot cannot be powered on. Please put the robot vacuum cleaner on the charging base and the device will be powered on automatically.

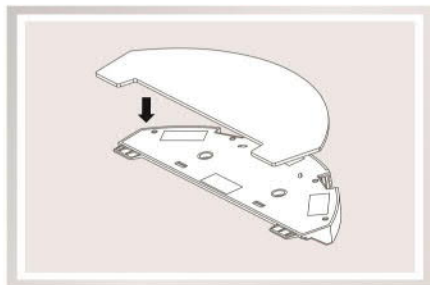
Installation

Mopping function

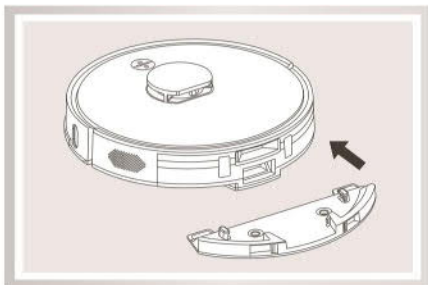
- 1 Open the water injection cover, add appropriate amount of water and then cover tightly, please do not add any detergent.
- 2 Put the water tank back into the robot



- 3 Install the mop on the mop support



- 4 Install the mop support

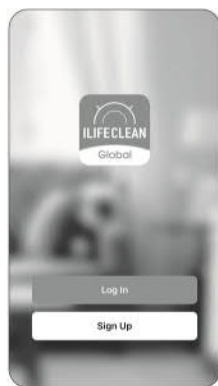


APP Connection

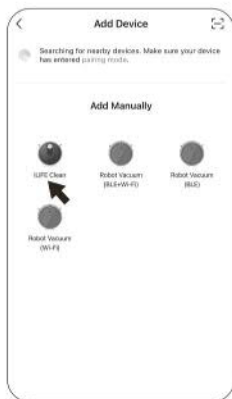
Preparation before connection



🔍 ILIFE Clean




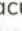
- 1 Scan the QR code to install the app.
- 2 Or search "ILIFE Clean" in the mobile app store to download the APP.
- 3 Register and log into the APP.

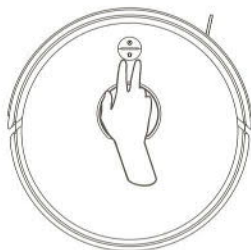


- 4 Click "Add a device" or "+" in the top right corner.
- 5 Select ILIFE Clean appliance.
- 6 Select 2.4GHz Wi-Fi network and enter the password.

APP Connection

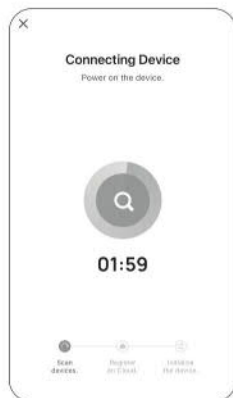
Hotspot networking (compatible mode)

- 1 First start the robot vacuum cleaner, press and hold the  and  keys on the main unit at the same time for 3 seconds, and when you hear the voice prompt of "AP mode" and the WiFi indicator light flashes slowly, it means that the machine has entered the networking mode.



- 2 Select hotspot networking mode and confirm that the WiFi indicator light on the robot vacuum cleaner flashes slowly.
- 3 Read the instructions for hotspot connection carefully and select to connect.
- 4 Select the robot vacuum cleaner hotspot with the beginning of SmartLife, and after connecting successfully, return to the APP.

APP Connection



- 5 Wait for the APP to connect to the robot vacuum cleaner.

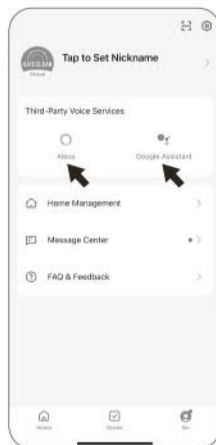


- 6 After connecting successfully, enter the operation interface.

Connect with Amazon Alexa or Google Assistant



- 1 The robot vacuum cleaner connects to the app first. Click "Me" in the bottom right corner.





- 2 Click "Alexa" or "google Assistant" to enter the operation interface.

How To Use

Use Instructions

① Power On / Power Off

Press and hold the  key for 3 seconds, and if the indicator light is lit on, it means the machine is started up successfully.

When the robot vacuum cleaner is in standby state, press and hold the  key for 5 seconds, and if the indicator light goes out, it means the machine is shut down.

**Note:**

The robot vacuum cleaner cannot be shut down during charging.

② Cleaning / Pause

After startup, press the  key on the main unit or mobile APP to start cleaning.


**Note:**

- The robot vacuum cleaner cannot be used to clean liquid.
- If the battery capacity is less than 20%, the robot cannot work; therefore, charge the machine before cleaning.
- When the battery capacity is less than 20% in the cleaning process, the device will automatically return to the charging base for charging.
- Please tidy up the wires (including the power line of charging base) on the ground before cleaning; otherwise, the wires may be dragged when the machine is cleaning which may cause power failure to electric appliances and damage items or wires.

How To Use

3 Charge

Automatic mode: After finishing cleaning, the robot vacuum cleaner will automatically return to the charging base for charging.

Manual mode: In pause state, press the  key to start recharging or mobile APP to start recharging.



Note:

If the robot vacuum cleaner fails to find the charging base, it will automatically return to the starting point; please manually put back the main unit on the charging base for charging.

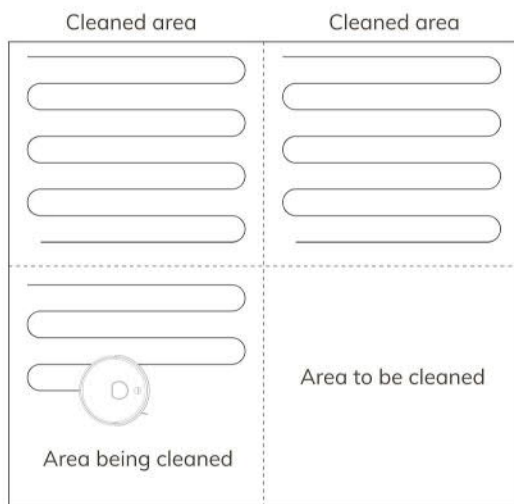
4 Suction selection

Use the mobile APP to select energy-saving, standard and powerful modes (the default is standard mode)

How To Use

Intelligent cleaning (default mode)

The robot vacuum cleaner scans the working environment, generates a map and intelligently divides the areas. It will complete cleaning of each area one by one by filling along the Z shape behind the wall. After finishing cleaning, the robot vacuum cleaner will return to the charging base for charging. (In order to better build the map, the robot needs to start from the charging base at the first cleaning)

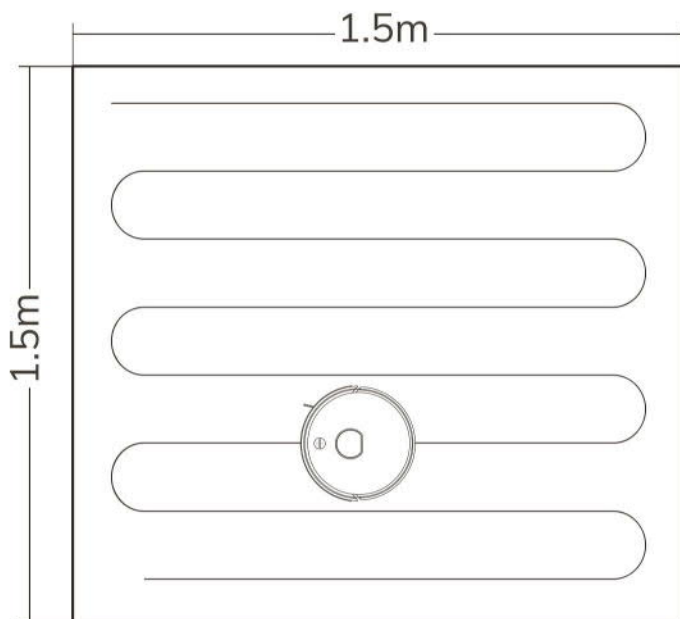
**Note:**

Do not move the main unit randomly and frequently during operation. After moving, please put the main unit near the original place. When starting the machine again, the device will try to reposition its coordinates; after positioning successfully, it will continue to work according to the planned path; if positioning fails, the device will give up the previous task, and build a new map for cleaning, but it might fail to recharge.

How To Use

Cleaning as required

Use the mobile APP to select the function of cleaning as required; select a point on the map and the robot vacuum cleaner will move to the designated position and clean a 1.5m×1.5m square area with itself as the center.

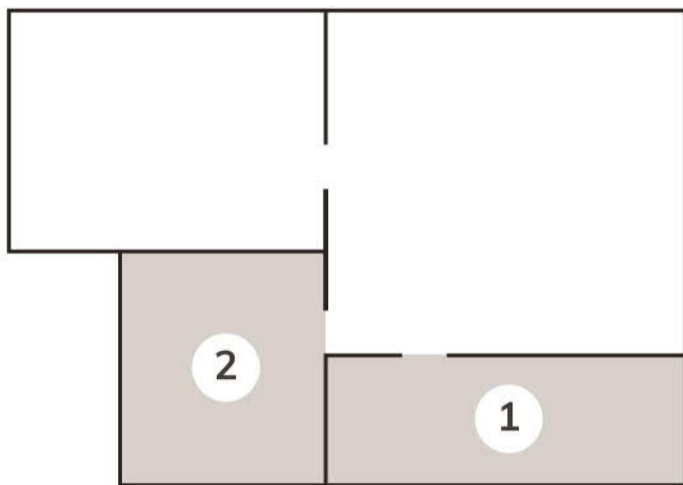
**Note:**

Before using this function, complete building of the map for the first cleaning in the mobile APP.

How To Use

Cleaning of selected area

Use the mobile APP to select the function of cleaning of selected area, select the area to be cleaned on the map and the robot vacuum cleaner will clean in the selected area.

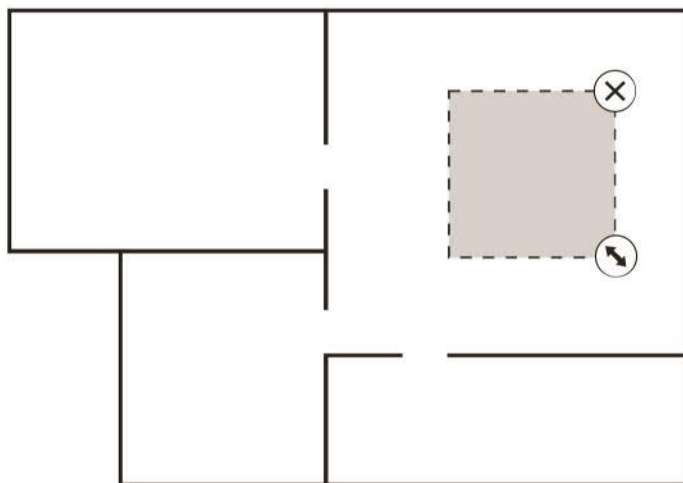
**Note:**

1. Before using this function, complete building of the map for the first cleaning in the mobile APP.
2. The main unit might enter the unplanned area, so please clear the obstacles on the ground around the planned area, and this area cannot play a role of safety isolation.

How To Use

Cleaning of defined area

Use the mobile APP to select the function of cleaning or defined area, select the area to be cleaned on the map and the robot vacuum cleaner will clean in the defined area.

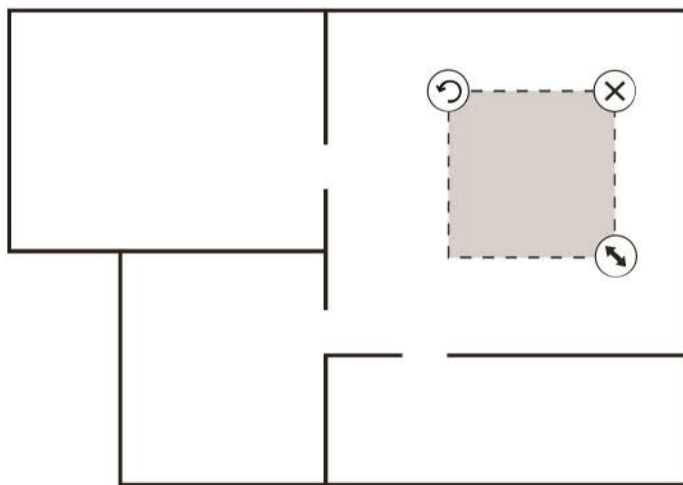
**Note:**

1. Before using this function, complete building of the map for the first cleaning in the mobile APP.
2. The main unit might enter the unplanned area, so please clear the obstacles on the ground around the planned area, and this area cannot play a role of safety isolation.

How To Use

Restricted area setting

Use the mobile APP to select the restricted area editing function, select and set the restricted area of cleaning on the map, and the machine will not enter the set area to clean.

**Note:**

1. Before using this function, complete building of the map for the first cleaning in the mobile APP.
2. This function is only used to define the cleaning areas and cannot be used to block dangerous areas.
3. When moving the robot vacuum cleaner or there are obvious changes in your home environment, the map might become ineffective and the restricted area might be lost.

How To Use

Scheduled cleaning

After the setting of scheduled cleaning takes effect, the machine will automatically start to clean at the designated time, and automatically return to the charging base after finishing cleaning.

DND mode

The default starting time period is 22:00-06:00, which can be modified or closed in your mobile APP.

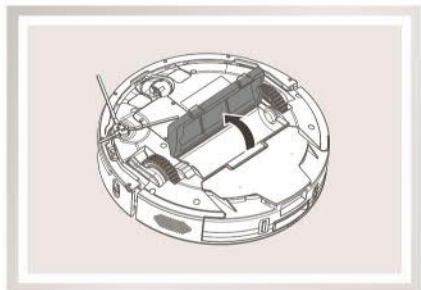
During the DND time period, the robot vacuum cleaner will close the functions of automatic continuous cleaning, actively playing the voice, and timing.

Other APP functions

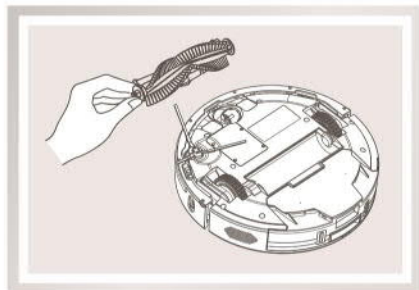
Remote control	Real-time map updating
Look for robot	Language selection
Map management	Cleaning record viewing
Working mode selection	Consumables management
Partition area editing	Self-defining of cleaning sequence of areas
Area attribute customizing	

Routine Maintenance

Roller brush

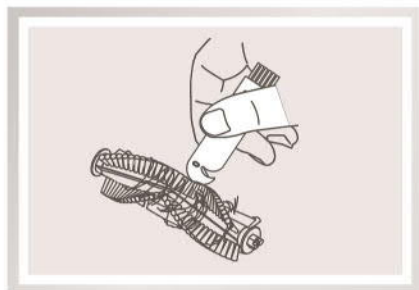


- 1 Turn over the machine, press the buckle on the roller brush cover and take out the cover plate of roller brush.



- 2 Take out the roller brush.

- 3 Use the clean brush to remove the dust in the cavity of main brush and roller brush and clear the entanglements on the roller brush.

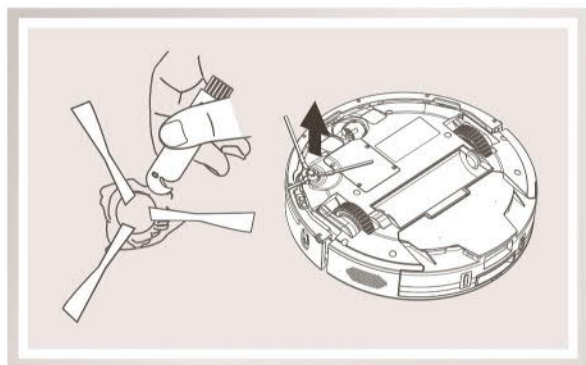
**Note:**

Recommended cleaning frequency: once a week.

Routine Maintenance

Side brush

- 1 Turn over the machine upward and pull out the side brush vertically.
- 2 Clear the entangled hairs and dirt and install back the side brush.



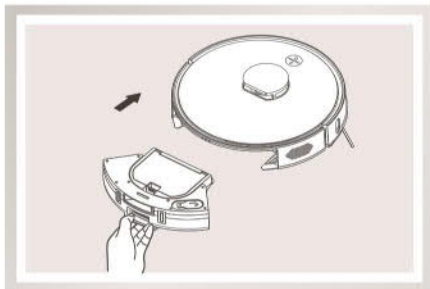
Note:

- It is recommended to replace the side brush every three months to ensure cleaning effect.
- Recommended cleaning frequency: once a week.

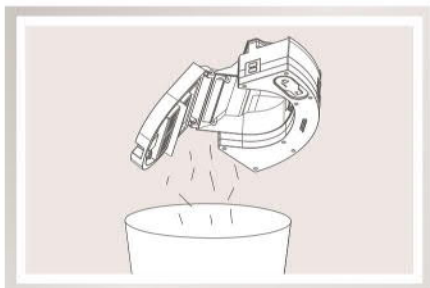
Routine Maintenance

Dust bin and filter

- 1 Press the dust bin button and draw out the dust bin.



- 2 Press the dust bin switch and open the dust bin to dump the rubbish.

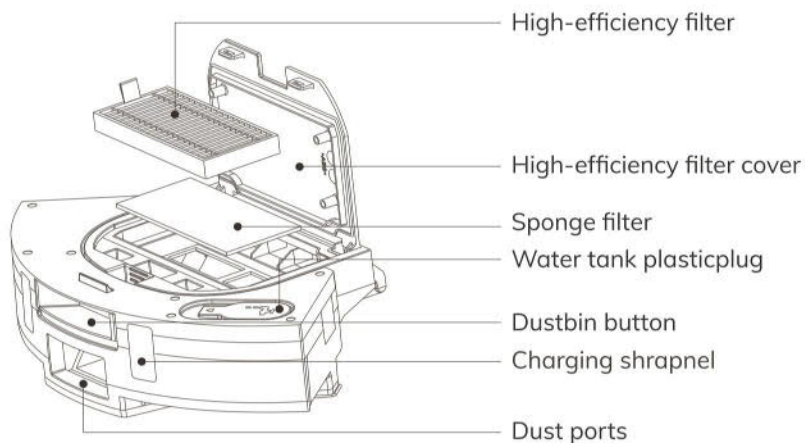
**Note:**

Recommended cleaning frequency: after cleaning.

Routine Maintenance

Wash the dust bin

- 1 After use for a long time, take down the sponge and high-efficiency filter.
- 2 Flush the primary filter, dust bin and sponge under the water tap (the high-efficiency filter cannot be washed with water).
- 3 After washing, shake off the water drops, dry the filter and dust bin in the air, and they can be used only after they are completely dry.

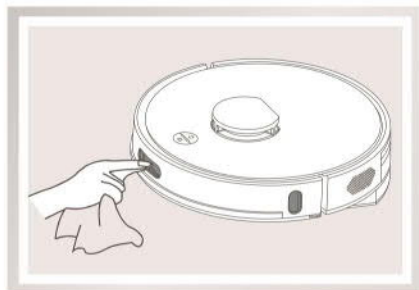


Note:

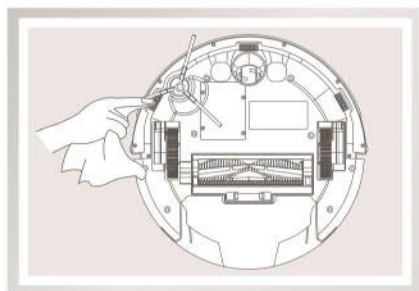
- Wash with clean water and do not add any detergent.
- Do not use brush but use fingers to clean the filter.
- The filter shall be dried in the air for at least 24 hours so that it can be dried thoroughly.
- It is recommended to replace the filter every three months.
- Recommended cleaning frequency: once a week.

Routine Maintenance

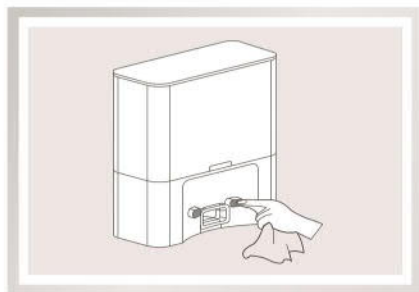
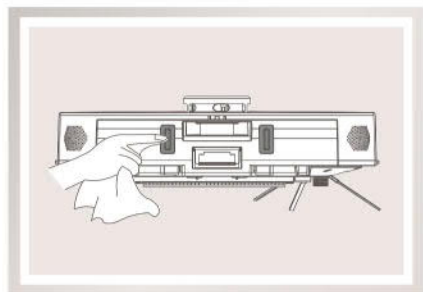
Clean the infrared obstacle avoidance sensor



Clean the cliff sensor



Clean the charging contact

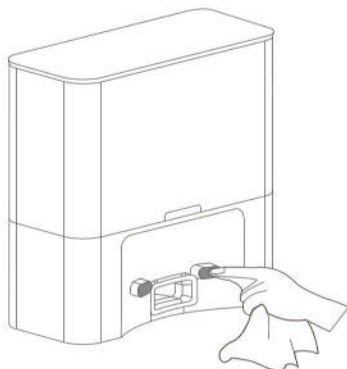


Note:

Recommended cleaning frequency: once a month.

Routine Maintenance

Clean the signal emission region on the Self-empty station

**Note:**

Recommended cleaning frequency: once a month.

Battery

Rechargeable high-performance lithium ion battery pack is built in the main unit. To maintain the battery performance, please maintain the main unit in charging state during daily use.

If the machine is not used for a long time, it shall be shut down for storage, and charged every three months to avoid damage to the battery due to over-discharge.

Firmware upgrade

Enter the firmware upgrade function through the mobile APP. After new firmware is detected, upgrade according to the prompt guidance. The battery capacity shall not be less than 50% during firmware upgrade. It is recommended to place the device on the charging base during upgrade.

Routine Maintenance

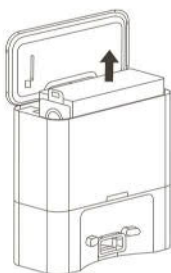
How to change the dust bag

1



1. Unplug the power and open the Self-empty station cover.

2



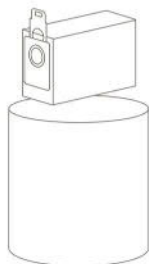
2. Pull up dust bag handle.

3



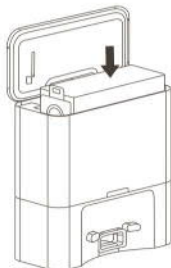
3. Remove the dust bag from the station.

4



4. Throw the used dust bag in to the trash can.

5



5. Install the new dust bag into the station and ensure that the dust bag handle is not pulled out.

6



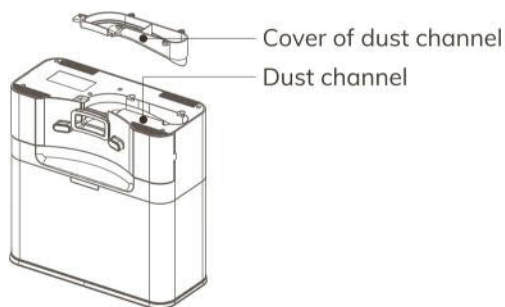
6. After covering the Self-empty station, switch on the power supply.

Routine Maintenance

Clean the Self-empty station dust channel

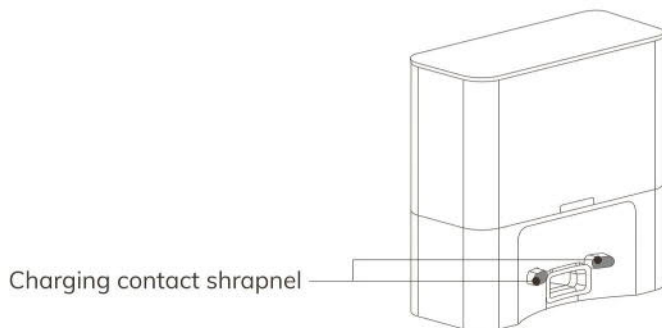
If the station indicator blinks red after replacing the dust bag, please unplug it. Reverse the station, through the dust channel perspective window, check whether the dust channel of the station is blocked. If the dust channel is blocked, remove the dust channel perspective window with a screwdriver according to the following figure.

Caution
Violent disassembly is strictly prohibited. Please reinstall it after cleaning.



Clean the Self-empty station infrared sensor/ Charging contact shrapnel

Gently wipe the two areas regularly with a clean, soft, dry cloth. It is recommended to clean them once a month.



Product Specification

Main unit

Product name	Robot vacuum cleaner
Product model	T20s
Overall dimension	335x335x95mm
Net weight	3kg
Battery type	Li-ion
Rated voltage	14.76V
Rated power	40W
Charging time	<360mins
Capacity of dustbin	300ml
Capacity of water tank	200ml

Self-empty station

Product name	Self-empty station
Product model	T20s
Overall dimension	323x153x321mm
Net weight	3.7kg
Rated Input	120V~60Hz
Rated Output	19V = 1A
Rated power	1050W
Dust bag capacity	3.5L

Common Problems

Problem	Solution
Failed to power on the machine.	The battery power is insufficient. Please place the machine on the docking station, and align with the charging electrode. The machine will be automatically powered on.
Failed to charge the machine.	<ul style="list-style-type: none"> ● Move the machine away from the docking station, and check whether the indicator of the docking station is on. Make sure that both ends of the power adapter are properly connected. ● The docking station is not in proper contact with the machine. Please clean the docking station shrapnel and the charging contact on the machine, or push the side brush to one side.
Failed to return to the docking station.	The machine is too far away from the docking station. Try to place the machine near the docking station.
Failed to return to the docking station.	Power off the machine and then on again.
Failed to return to the docking station.	The roller brush, side brushes, or wheels may be entangled with foreign objects. Please clean them after stopping the machine.
The cleaning performance is degraded, or ash is dropped.	<ul style="list-style-type: none"> ● The dust box is blocked. Clean the dust box. ● The filter is full. Clean or replace the filter. ● The roller brush is entangled with foreign objects. Clean the roller brush.

Common Problems

Problem	Solution
The Wi-Fi network cannot be connected.	<ul style="list-style-type: none">• The Wi-Fi signal is not good. Ensure that the machine is located in a place with good Wi-Fi signals.• The Wi-Fi connection is abnormal. Reset the Wi-Fi settings, download the app of the latest version, and try to connect to the Wi-Fi network again.• The password is incorrect.• This machine supports only the 2.4 GHz band.
Scheduled cleaning cannot be carried out.	The power is insufficient. Scheduled cleaning will be started only when the remaining power is 15% or above.
Is any power consumed if the machine always stays at the docking station?	The power consumption is extremely low when the machine always stays at the docking station. This helps to keep the battery in the best performance.
Is it necessary to charge the battery for 16 hours when the machine is used for the first three times?	The lithium battery does not have a memory effect. It can be used instantly after it is fully charged. There is no need to wait.

Troubleshooting

Error Prompt	Solution
Error 1: Put the machine on the floor before starting	You may pick up the machine; or the machine is suspended; please move the machine to a flat ground and start it again.
Error 2: Please lay the machine flat on the ground and then start it	The machine tilts; please move the machine to a flat ground and then start it.
Error 3: Please check whether the front bumper is stuck	The edge or collision sensor is stuck; please push the bumper left and right to confirm that it is not stuck.
Error 4: Low battery; please charge	Put the main unit on the charging base for charging.
Error 5: The machine is trapped	Please move the machine to an open ground and then start it.
Error 6: Please check whether the wheel is stuck	The main wheel is stuck or entangled; please check the main wheel and remove the foreign matters.
Error 7: Please check whether the rolling brush is stuck	The rolling brush is entangled or stuck; please check the rolling brush and remove the foreign matters.
Error 8: Please check whether the side brush is stuck	The side brush is entangled or stuck; please check the side brush and remove the foreign matters.

FCC Information

NOTE:

This equipment has been tested and found to comply with the limits for a Class B digital device, pursuant to part 15 of the FCC Rules. These limits are designed to provide reasonable protection against harmful interference in a residential installation. This equipment should be installed and operated with minimum distance of 20 cm between the radiator and your body. This equipment generates,uses and can radiate radio frequency energy and, if not installed and used in accordance with the instructions, may cause harmful interference to radio communications. However, there is no guarantee that interference will not occur in a particular installation. If this equipment does cause harmful interference to radio or television reception, which can be determined by turning the equipment off and on, the user is encouraged to try to correct the interference by one or more of the following measures:

- Reorient or relocate the receiving antenna.
- Increase the separation between the equipment and receiver.
- Connect the equipment into an outlet on a circuit different from that to which the receiver is connected.
- Consult the dealer or an experienced radio/TV technician for help.

MODIFICATION:

Any changes or modifications not expressly approved by the grantee of this device could void the user's authority to operate the device.

This device complies with Part 15 of the FCC Rules. Operation is subject to the following two conditions:

- (1) this device may not cause harmful interference,
- and (2) this device must accept any interference received, including interference that may cause undesired operation.