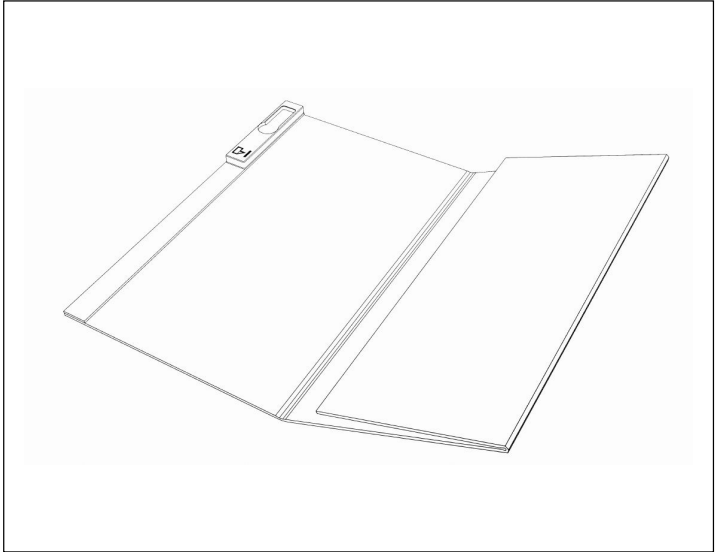
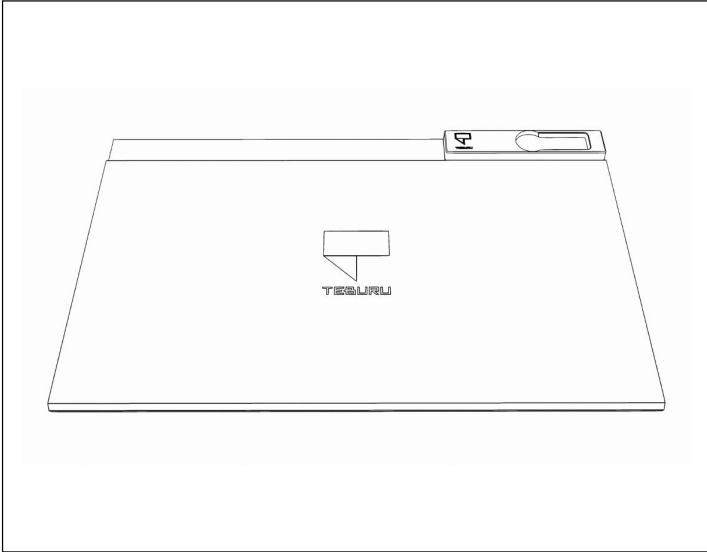
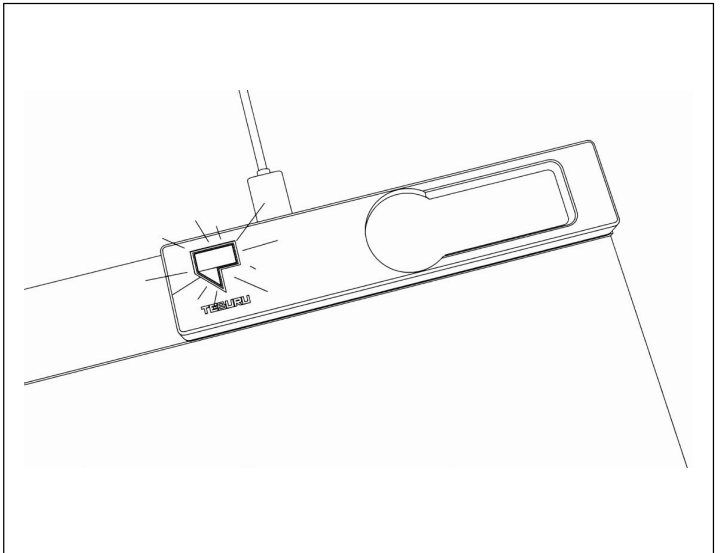
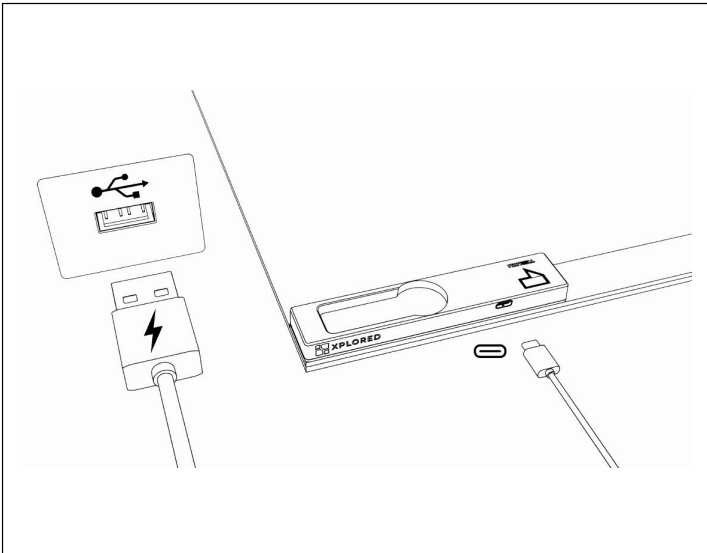


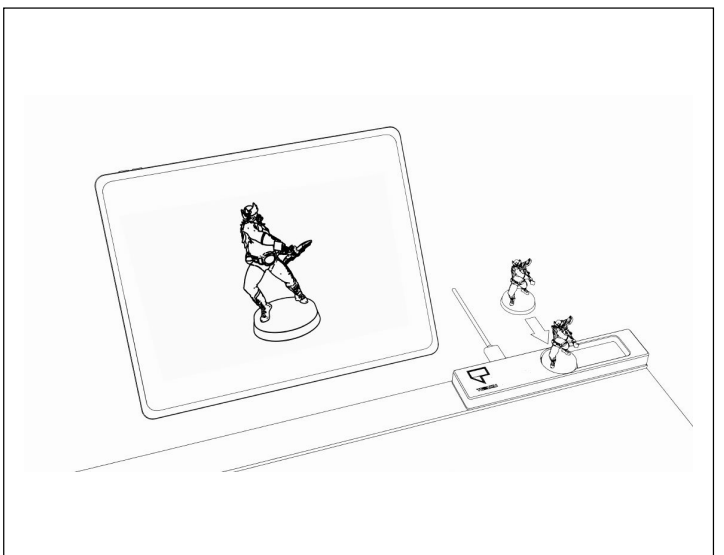
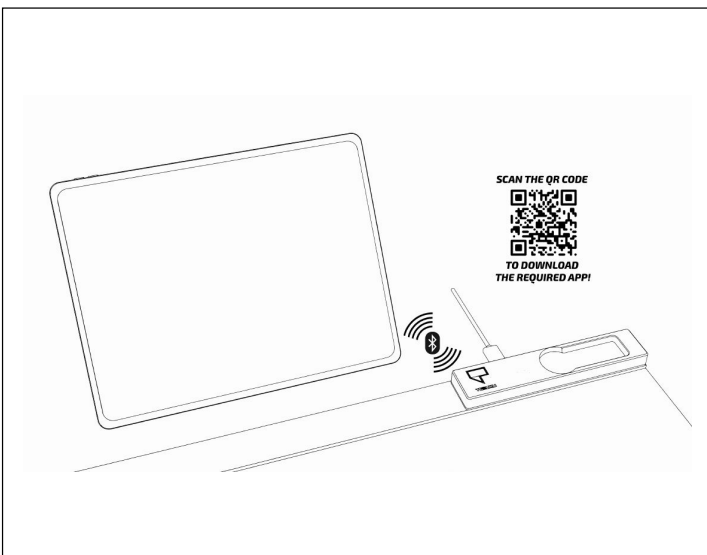
## Quick Start Guide



Completely unfold the Teburu board

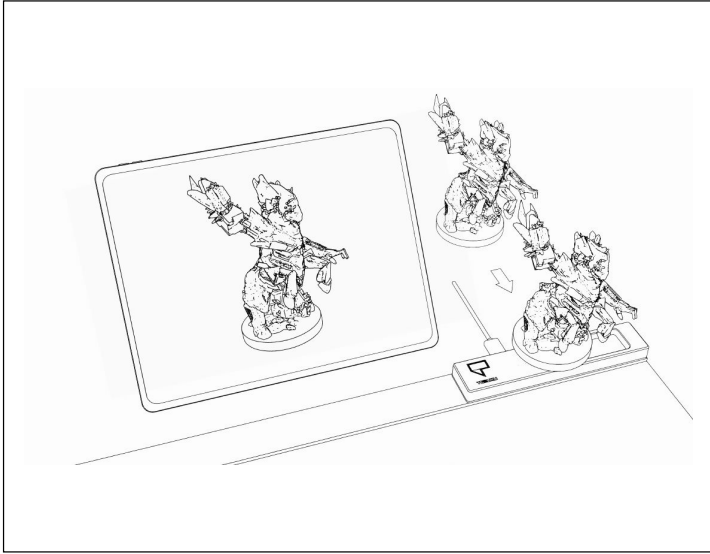


Plug the USB-C cable in the port and connect it to a USB power source - The Teburu logo will start blinking



**WARNING!** An app is required to operate the Teburu System

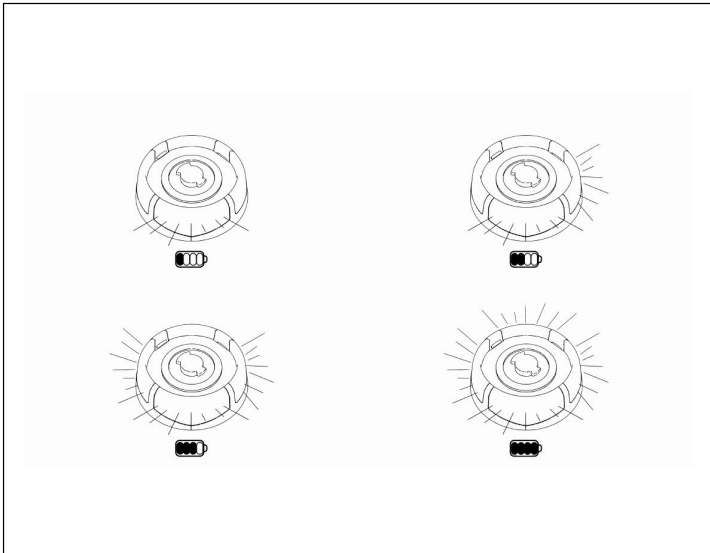
When prompted, scan minis by placing them in the round slot on the board



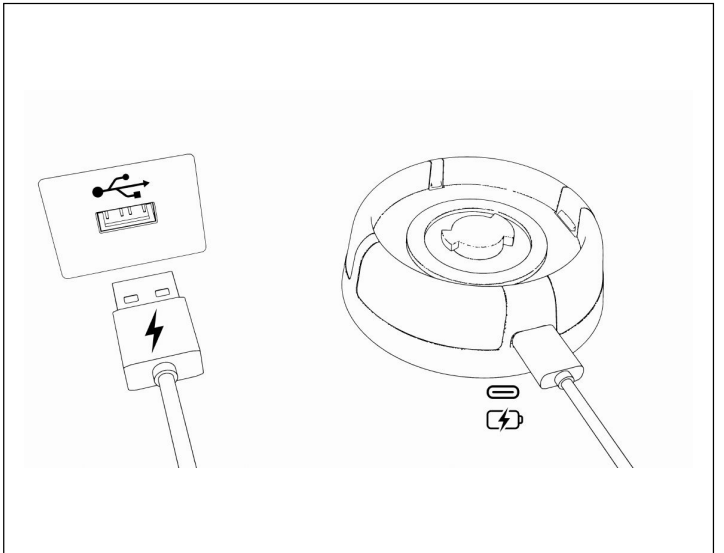
**When prompted, scan the boss by placing it on top of the round slot of the board**



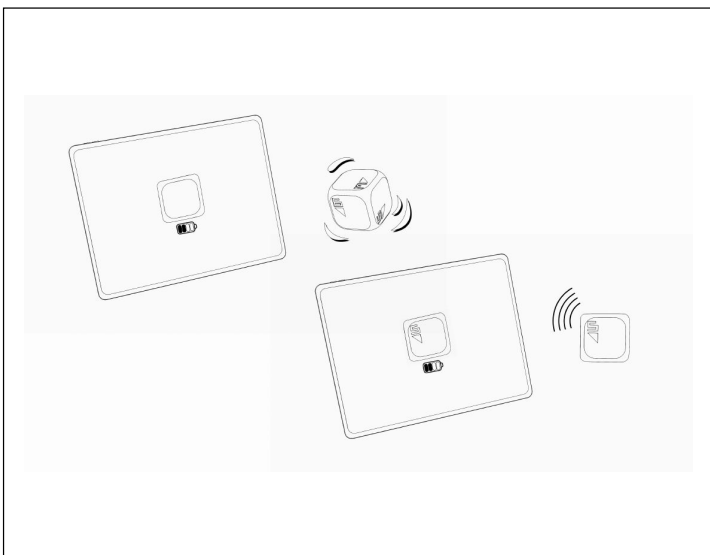
**Insert the boss on the LED Ring by aligning the interlock and gently rotate it clockwise**



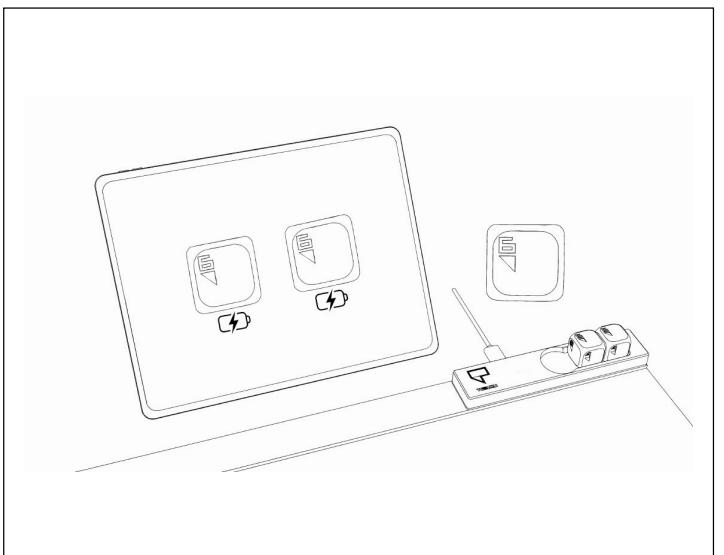
**LED Ring will show battery charge status by turning on LEDs**



**To recharge the LED Ring, plug the USB-C cable in the port and connect it to a USB power source**



**When prompted, connect the dice by shaking them**



**To recharge the dice, put them on the recharge slot  
Warning: to properly recharge, fside #6 must face up**

## SECURITY INFORMATION

### *English*

This document contains important safety and disposal information for the Teburu® device (hereinafter referred to as 'Teburu' or 'Product'), purchased and/or used by an individual or legal entity (hereinafter referred to as 'Buyer/User'). For the purpose of this document, Buyer/User refers to any person acting for purposes outside the scope of their activity, trade, business, or profession.

The instructions in this safety manual are applicable to all Products purchased by the Buyer/User through crowdfunding campaigns.

#### **WARNING!**

**To prevent harm to individuals, animals, and/or property, carefully read and retain the safety information provided here before using Teburu.**

Failure to observe the safety information in this document could result in damage to property or injuries, including significant harm to users and/or third parties, and in severe cases, even death.

Adherence to this information and instructions is crucial and functional for the use of the Product. Therefore, Xplored disclaims any liability for damages to property and persons that may arise from the non-compliance with the rules and precautions contained in this document.

#### **WARNING!**

**Some components of the Product and its accessories contain small parts.** Keep children under 3 years old away. Risk of choking.

#### **WARNING!**

**This Product contains magnetic components.**

Magnets can cause harm if ingested; keep them away from children. Magnets may have harmful effects on medical devices; for questions regarding these effects, consult a doctor.

**THE USAGE INSTRUCTIONS FOR TEBURU AND THE GENERAL TERMS OF PRODUCT USE CAN BE FOUND ON THE WEBSITE WWW.TEBURU.NET.**

\*

**A. The technology and components of the Product have been designed and patented only for use by Users who are sixteen years of age or older.**

The use of the Product by Users under the age of sixteen is not recommended: the Product may contain components that are clearly unsuitable for functions, dimensions, characteristics, properties, or other compelling reasons (small parts - choking hazard; sharp points - risk of skin injuries; cable for the use of the Teburu platform - risk of strangulation and electric shock; balls - strangulation hazard; small-sized pieces - choking hazard) for such individuals. Xplored disclaims any responsibility for damages to property and/or individuals that may result from the unauthorized use of the Product by individuals under the age of sixteen.

**B. Teburu has not been designed to operate on board means of transportation (trains, cars, airplanes) due to the presence of electromagnetic waves and disturbances generated by accelerometers during the movement of the vehicles.**

**C. The radio transmitter contained in the Product can operate with the type and maximum (or minimum) antenna gain approved by Industry Canada for transmitters.**

To reduce the risk of radio interference with other users, choose an antenna type and gain such that the equivalent isotropic radiated power (EIRP) does not exceed the intensity required to establish satisfactory communication.

**D. This device complies with Industry Canada's RSS standards and Section 15 of the FCC rules.**

Operation is subject to the following two conditions: (1) This device must not cause harmful interference, and (2) this device must accept any interference received, including interference that may cause undesired operation. This Product has been tested and meets the specifications for a Class B digital device, in accordance with Section 15 of the FCC rules. These limits are designed to provide reasonable protection against harmful interference in a residential installation. This device generates, uses, and can radiate radio frequency energy, and if not installed and used in accordance with the instructions, may cause harmful interference to radio communications. If this device does cause harmful interference to radio or television reception, which can be determined by turning the device off and on, the Buyer/User is encouraged to try to correct the interference by one or more of the following measures:

- Reorient or relocate the receiving antenna
- Increase the separation between the devices
- Connect the device to an outlet on a circuit different from that to which the receiver is connected
- Consult a technician for assistance

Any unauthorized modifications expressly not approved by Xplored will void the Buyer/User's authority to operate the device.

**E. Teburu complies with temperature limits for exposed surfaces as defined by international safety standards for information technology equipment (IEC/EN/UL/CSA 62368-1 standards)**

Do not use Teburu outside the following temperature ranges:

- Operating temperature: 0 to 35 °C (32 to 95 °F)
- Storage temperature: -15 to 40 °C (5 to 104 °F)
- Humidity: 5% to 85%
- Altitude: 0 to 2,000 meters (0 to 6,500 feet).

The use of Teburu outside the specified temperature ranges may result in malfunctions or issues, for which Xplored hereby disclaims any responsibility.

**F. Maximum power consumption of Teburu®: 250 mA/ 5V**

Maximum power consumption of the Indicator light: 50 mA/3.3V

Maximum power consumption of the die: 5 mA/3.3V

All equipment connected to Teburu must be Safety Extra-Low Voltage (SELV) and limited power sources, as defined by Section 2.2 and 2.5 of the IEC/EN/UL/CSA 62368-1 standards.

**G. Power Teburu only through the USB port, using adapters or power banks that operate with USB-A standards (5V, 1A max). The use of different adapters or power banks may reduce the Product's lifespan or cause malfunction, as well as the risk of battery fires or explosions, leading to severe damage to property and individuals. Xplored is not responsible for the user's safety when using accessories or components not approved by Xplored.**

Do not step on or crush the power cable, especially near plugs, power outlets, or the point of exit from the Product.

Do not use damaged power cables or electrical plugs and avoid using loose outlets.

Do not touch the power cables, plugs, and power outlet with wet hands or other wet body parts.

Do not bite or put the Product or the power cable in your mouth.

Do not excessively pull the power case.

Do not bend or damage the power cable.

**H. Do not drop or impact the Product.**

Do not store the Product on inclined surfaces.

**I. Do not make any modifications to the Product, its hardware, software, or accessories. Any modifications could compromise the security or proper functioning of the system, and may result in damage to property or harm to individuals.**

Do not replace the batteries of the Product.

Use only the accessories included or recommended by the manufacturer.

Teburu does not contain parts that can be repaired by the Buyer/User.

If interventions, repairs, or replacements are needed, contact Xplored customer service at [www.teburu.net](http://www.teburu.net).

Repairs are necessary when the Product or its accessories are damaged in any way (for example, damage to the power cable or plug, liquid spillage on the Product, impact of the Product with objects of any kind, exposure of the Product to rain or humidity, malfunction of the Product, product fall, etc.).

If you notice that the Product or the charger emits strange odors or noises, or if you see that the device or the battery is emitting smoke or liquids, immediately discontinue the use of the Product and contact customer support.

**J. Do not use the Product near water or moisture.**

Under no circumstances should the Product and its accessories be wetted or immersed in liquids.

Clean the Product only with a dry cloth.

Do not use cleansers, abrasive detergents, or cleaning products that could damage the surface of the Product and be harmful to its operation.

To clean the external part of the Product, make sure the power cable is disconnected from the outlet, then wipe the surface with a dry cloth.

**K. Do not use Teburu on metal surfaces.**

To ensure proper operation of the Product, keep it away from magnetic interferences such as magnets, motors, speakers, and phones.

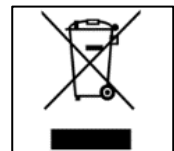
**L. Do not place the Product near heat sources** such as radiators, ventilation fans, stoves, or other equipment (including amplifiers) that produce heat.

Do not expose the Product to smoke or excessive fumes.

**M. Disconnect the Product's plug** during storms or extended periods of inactivity.

**N. This symbol, appearing on the Product and packaging, indicates that the Product cannot be disposed of as household waste.**

This Product should be disposed of at designated collection points for recycling electrical and electronic equipment. Proper disposal of the Product prevents harmful consequences to the environment and health that may result from inappropriate disposal. Recycling materials helps protect natural resources. For more information on how to recycle this Product, contact the local municipal authority, waste disposal service, or alternatively, Xplored. Do not, under any circumstances, remove the internal batteries from Teburu components.



NOTE: This equipment has been tested and found to comply with the limits for a Class B digital device, pursuant to part 15 of the FCC Rules. These limits are designed to provide reasonable protection against harmful interference in a residential installation. This equipment generates, uses and can radiate radio frequency energy and, if not installed and used in accordance with the instructions, may cause harmful interference to radio communications. However, there is no guarantee that interference will not occur in a particular installation. If this equipment does cause harmful interference to radio or television reception, which can be determined by turning the equipment off and on, the user is encouraged to try to correct the interference by one or more of the following measures:

- Reorient or relocate the receiving antenna.
- Increase the separation between the equipment and receiver.
- Connect the equipment into an outlet on a circuit different from that to which the receiver is connected.
- Consult the dealer or an experienced radio/TV technician for help

Changes or modifications not expressly approved by the party responsible for compliance could void the user's authority to operate the equipment.

This device complies with Part 15 of the FCC Rules. Operation is subject to the following two conditions: (1) this device may not cause harmful interference, and (2) this device must accept any interference received, including interference that may cause undesired operation.

This device contains licence-exempt transmitter(s)/receiver(s) that comply with Innovation, Science and Economic Development Canada's licence-exempt RSS(s). Operation is subject to the following two conditions:

- (1) This device may not cause interference.
- (2) This device must accept any interference, including interference that may cause undesired operation of the device.

L' émetteur/récepteur exempt de licence contenu dans le présent appareil est conforme aux CNR d' Innovation, Sciences et Développement économique Canada applicables aux appareils radio exempts de licence. L' exploitation est autorisée aux deux conditions suivantes :

- (1) L' appareil ne doit pas produire de brouillage;
- (2) L' appareil doit accepter tout brouillage radioélectrique subi, même si le brouillage est susceptible d' en compromettre le fonctionnement.

CAN ICES-3 (B) / NMB-3 (B)

This Class B digital apparatus complies with Canadian ICES-003.

(Cet appareil numérique de la Classe B conforme à la norme NMB-003 du Canada)

RF Exposure Warning Statements:

This equipment complies with FCC radiation exposure limits set forth for an uncontrolled environment. This equipment shall be installed and operated with minimum distance 20cm between the radiator & body

Radio Frequency Exposure Statement for IC

This equipment complies with IC exposure limits set forth for an uncontrolled environment. The device can be used in portable exposure conditions. This equipment shall be installed and operated with minimum distance 20cm between the radiator & body.

Cet équipement est conforme aux limites d'exposition IC établies pour un environnement non contrôlé. L'appareil peut être utilisé dans des conditions d'exposition portables. Cet équipement doit être installé et utilisé avec une distance minimale de 20 cm entre le radiateur et le corps