

024-04-23

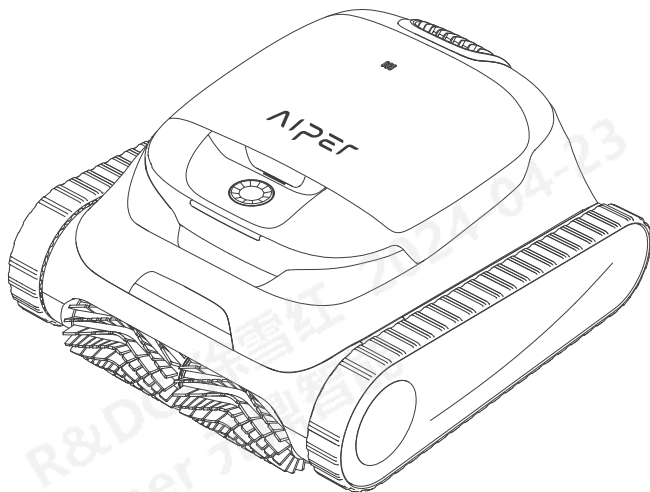
R&DC-4  
Aiper

# AIPER®

— bring vacation home —

## ROBOTIC POOL CLEANER User Manual

Aiper Scuba N1



## FCC Statement

This device complies with Part 15 of the FCC Rules. Operation is subject to the following two conditions: (1) This device may not cause harmful interference, and (2) this device must accept any interference received, including interference that may cause undesired operation.

**Warning:** Changes or modifications not expressly approved by the party responsible for compliance could void the user's authority to operate the equipment.

**Note:** This equipment has been tested and found to comply with the limits for a Class B digital device, pursuant to Part 15 of the FCC Rules. These limits are designed to provide reasonable protection against harmful interference in a residential installation.

This equipment generates, uses, and can radiate radio frequency energy and, if not installed and used in accordance with the instructions, may cause harmful interference to radio communications. However, there is no guarantee that interference will not occur in a particular installation. If this equipment does cause harmful interference to radio or television reception, which can be determined by turning the equipment off and on, the user is encouraged to try to correct the interference by one or more of the following measures:

- (1) Reorient or relocate the receiving antenna.
- (2) Increase the separation between the equipment and receiver.
- (3) Connect the equipment into an outlet on a circuit different from that to which the receiver is connected.
- (4) Consult the dealer or an experienced radio / TV technician for help.

## Radiation Exposure Statement:

1. This equipment complies with FCC radiation exposure limits set forth for an uncontrolled environment.
2. This equipment should be installed and operated with minimum distance 20cm between the radiator & your body.

## IC Statement

This device complies with Industry Canada license - ICES-003. Operation is subject to the following two conditions: (1) This device may not cause interference, and (2) This device must accept any interference, including interference that may cause undesired operation of the device.

Le présent appareil est conforme aux CNR d'Industrie Canada applicables aux appareils radio exempts de licence. L'exploitation est autorisée aux deux conditions suivantes : (1) l'appareil ne doit pas produire de brouillage, et (2) l'utilisateur de l'appareil doit accepter tout brouillage radioélectrique subi, même si le brouillage est susceptible d'en compromettre le fonctionnement.

## Radiation Exposure Statement:

1. This equipment complies with IC radiation exposure limits set forth for an uncontrolled environment.
2. This equipment should be installed and operated with minimum distance 20cm between the radiator & your body.

Importer: Aiper Intelligent, LLC.  
Address: 13851 Ramona Ave, Chino, CA 91710, USA.  
US Toll-Free: 1-866-850-0666  
AU Toll-Free: +61(180)049-7023

Thank you for choosing Aiper.

You've now joined a family of millions who have already put their trust in Aiper to take care of their pools and are enjoying the convenience of a pristinely clean pool.

This user manual will help you maintain your Aiper pool cleaner and ensure it performs at its maximum efficiency for years to come. Please take a few minutes to read through this manual.

If you have any questions, please visit our website at [www.aiper.com](http://www.aiper.com) and contact our customer service team for assistance or more information.

### Aiper Customer Service:

US Toll-Free: 1-866-850-0666

AU Toll-Free: +61(180)049-7023

Email: [service@aiper.com](mailto:service@aiper.com)

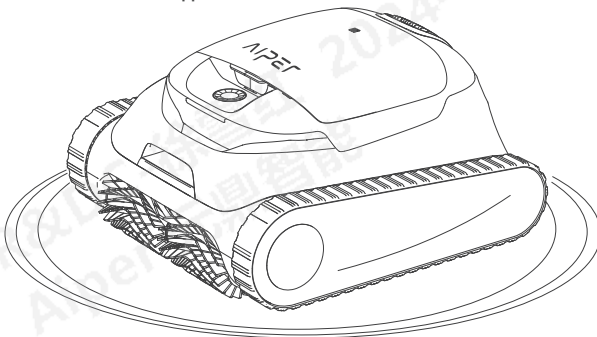
Facebook: @AiperOfficial



Scan for  
Video Guide



Scan the QR  
Code to Access  
Customer Support



**English**

**CONTENTS**

Important Safety Precautions ----- 4

1. Structure ----- 6

2. Specifications & Working Conditions ----- 7

3. Charging ----- 8

4. Using Your Aiper Pool Cleaner ----- 9

5. Operating Your Device ----- 9

6. Disassembly and Cleaning ----- 13

7. Maintenance ----- 15

8. Storage ----- 19

9. LED Indicator ----- 20

10. Packing List ----- 21

11. Warranty ----- 21



## IMPORTANT SAFETY PRECAUTIONS

Read this manual carefully and use your device in accordance with the instructions. Aiper is not liable for any damages or injuries caused by improper use.

**For your safety and optimal performance of this device, please read and follow the following suggestions.**

### 1. READ AND FOLLOW ALL INSTRUCTIONS.

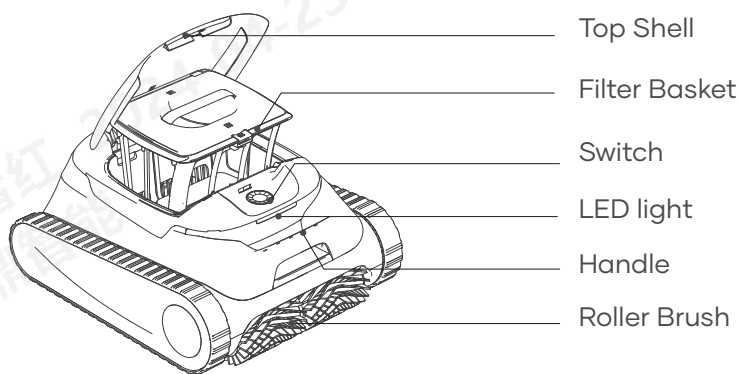
2. Do not operate the device when people or animals are in the pool.
3. Ensure the device is turned off when conducting maintenance, cleaning, or when not in use.
4. Do not allow children to ride the device or play operate it without adult supervision.
5. Only use the original, authorized power adapter.
6. The adapter cord should only be replaced by a qualified electrician.
7. It is strongly recommended to connect the charger to a surge protector when charging.
8. Ensure the charging port is completely dry before charging your device.
9. While charging, the device should be kept in a cool, well-ventilated place. Customers should not over the device while charging as this may lead to overheating or hardware malfunctions.
10. Do not operate the device out of the water, as this may lead to hardware malfunctions or overheating.
11. Only certified professionals should disassemble the (driving kit) of the device.
12. Do not operate the device while running your pool filter.
13. Avoid puncturing the oil sealing of the motor, as this contains grease. If punctured, this may cause a small grease leakage into your pool.
14. Do not store or use the device near anything that generates extreme heat.
15. Do not pierce or bludgeon the device' s shell, as this will cause irreparable damage. Additionally, the device should not be thrown.

16. WARNING – To reduce the risk of injury, do not permit children to use this product unless they are closely supervised at all times.
17. Ensure that children do not attempt to access cleaner while it is operating.
18. CAUTION
  - a. FOR USE WITH SWIMMING POOLS ONLY
  - b. DO NOT RUN PUMP DRY
  - c. TO REDUCE THE RISK OR INJURY, USER MUST READ MANUAL
  - d. FOR USE ONLY WITH AC/DC ADAPTOR, MODEL: E044-1A168260HU/  
GC42-168260-1A

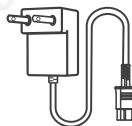
SAVE THESE INSTRUCTIONS

Please read this user manual carefully before operating the device.

## 1. Structure



Retrieval Hook



Charger

## 2. Specifications & Working Conditions

1. Pool Size: 1600 Sq.ft/150m<sup>2</sup>
2. Charger Input: 100-240V, 60/50Hz, Max 1.5A
3. Charger Output: 16.8V/2.6A
4. Charging Time: 4 Hours
5. Battery Life: Up to 150 Minutes
6. IP Grade: IPX8 Waterproof
7. Water Depth: 1.6-10ft(0.5-3m)
8. Motor Power: 75W
9. Battery Pack: 7800mAh
10. Battery Pack Voltage: 14.4V

### CAUTION:

Do not use the device in a pool environment beyond the conditions described below, doing so may cause damage to the device that will not be covered by warranty.

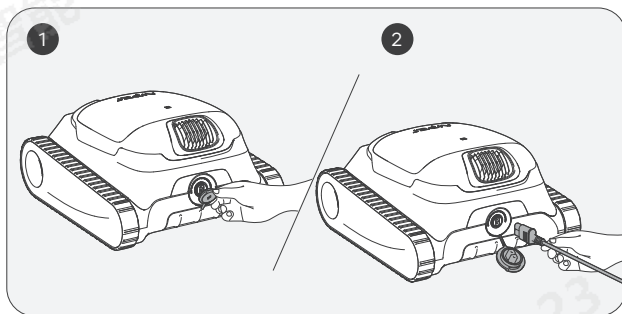
- Temperature: 50-95°F (10-35°C)
- pH Value: 7.0-7.4
- Chlorine: Maximum 4 ppm
- NaCl: Maximum 5000 ppm



### 3. Charging

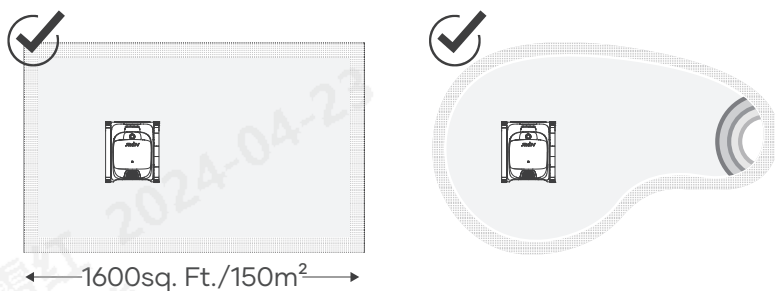
**CAUTION:** Do not charge the device in direct sunlight.

- a. Fully charge the device before using it to clean the pool.
- b. Before charging, remove the charging port cover to check if there is any residual water in the charging port. If so, wipe dry the charging port first.
- c. Insert the charging cable into the charging port of the device and then into an available electrical outlet. The LED indicator on the device will start to pulse, indicating that the device is being charged. When it is fully charged, the LED will remain on.



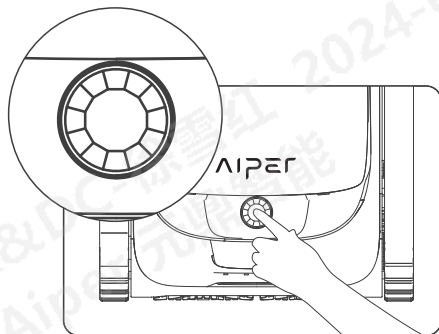
#### 4. Using Your Aiper Pool Cleaner

- a. This machine is suitable for cleaning floors, walls and water lines in areas up to 1600sq. Ft./150m<sup>2</sup>.



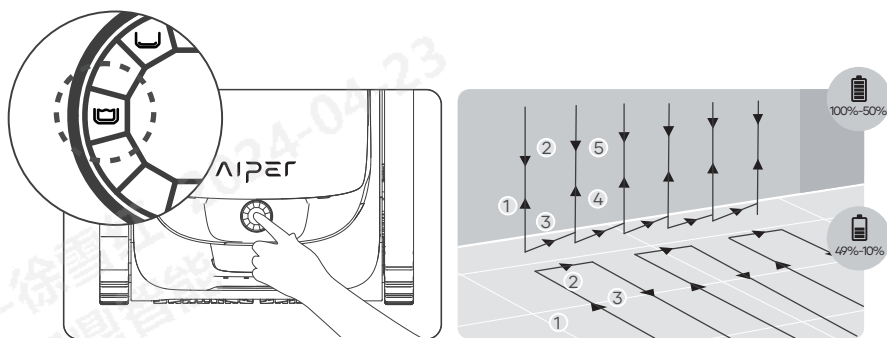
#### 5. Operating Your Device

- a. Press and hold the Power button for 2s to turn on/off the device.



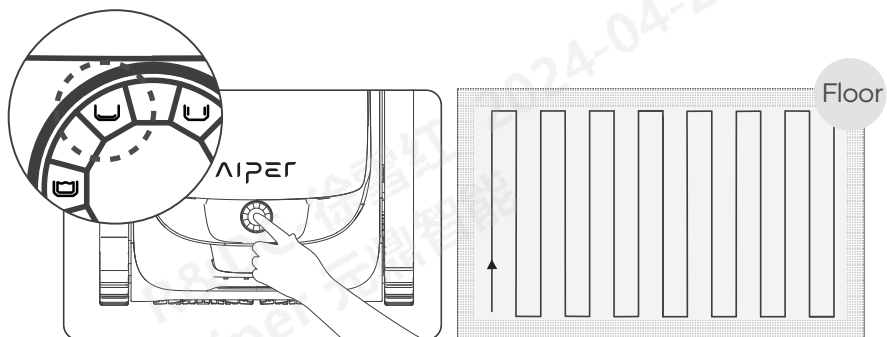
b. Auto mode is the default mode for this device once turned on. Press the button to switch between Auto, Pool Floor, Pool Wall and Eco.

1) Auto Mode: The device will clean the pool floors and walls, while intelligently planning its cleaning route based on its battery level. When the battery level is low, the device will automatically dock and stop cleaning.



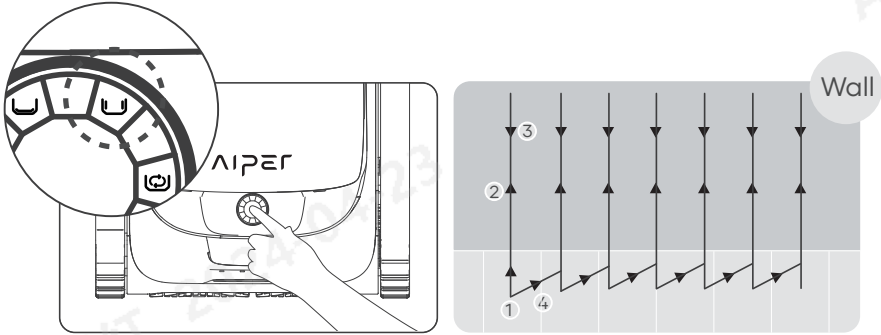
**Auto Mode: Floor and Wall Cleaning**

2) Pool Floor Mode: The device will clean the pool floor in a S-shaped route, without climbing or cleaning walls. When the battery level is low, the device will automatically dock and stop cleaning.



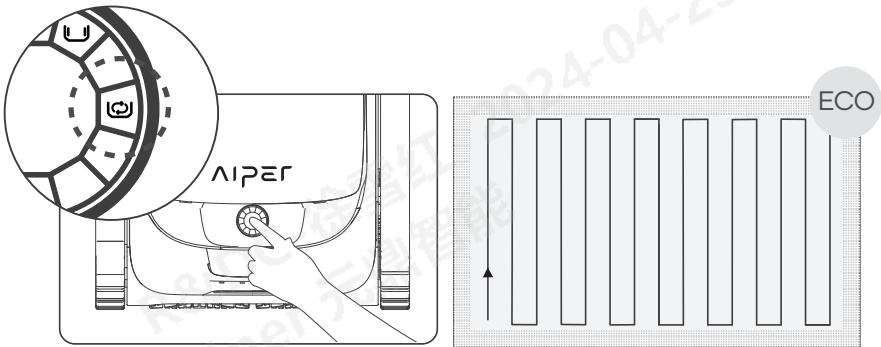
**Floor Cleaning Mode**

- 3) Pool Wall Mode: The device will clean the pool wall in an N-shaped route, without cleaning floors. When the battery level is low, the device will automatically stop cleaning and dock.



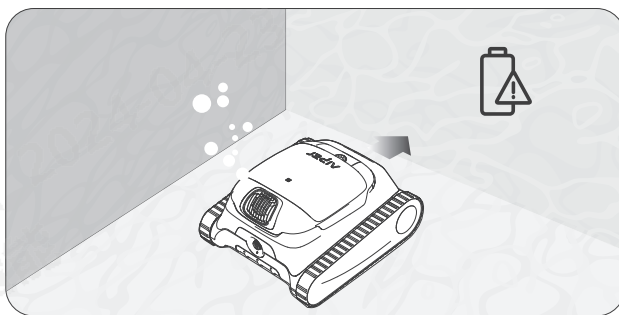
Wall Cleaning Mode

- 4) Eco Mode: The device will clean the pool floor for 45 min once every 48 hours for one week when fully charged.

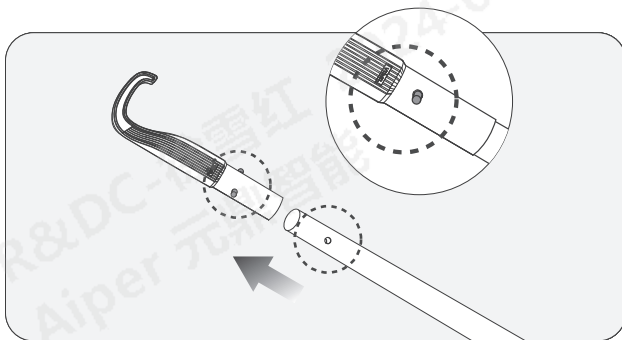


Eco Mode

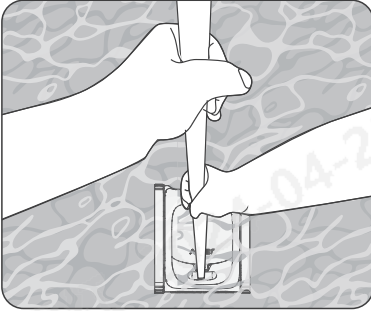
- c. After the device is turned on for 30 s, it will turn the water pump briefly every 10 s to check whether it has entered the water for 3 times. If it detects that it has not entered the water 3 times, it will shut down; please put the device into the pool within 1 min after starting the device. The device will begin cleaning within 10 s after it reaches the bottom of the pool.
- d. When the battery level is low, the device will automatically dock and stop cleaning.



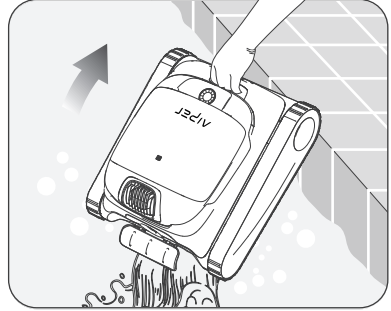
- e. Lift the device from the pool floor with a hook to prevent getting wet. Users can connect the hook to any standard pool cleaning pole (not included) to extend the reach of the hook.



f. Hook the device's handle and lift the device out of the water.

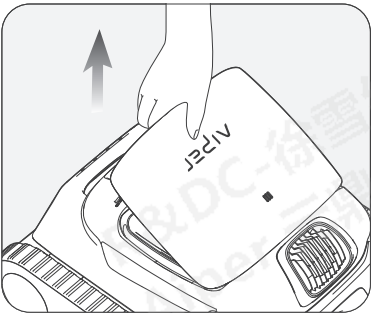


g. Hold the handle and allow the device to drain any stored water.

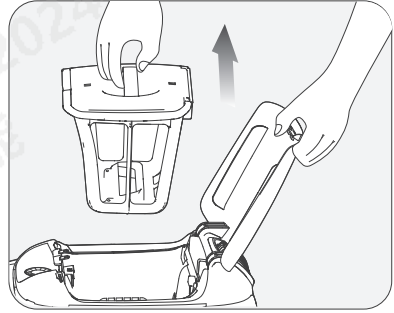


## 6. Disassembly and Cleaning

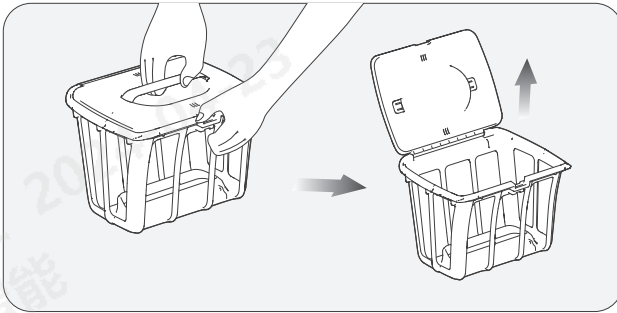
a. Set aside the device in a safe, secure location and open the top shell.



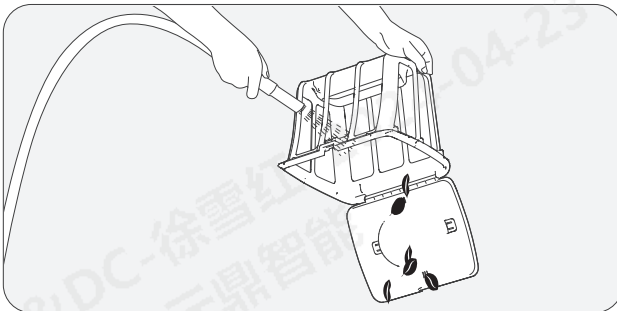
b. Remove the filter basket by lifting its handle.



- c. Press the top shells latch of the filter basket and at the same time pull up on the top cover handle to open the filter basket.



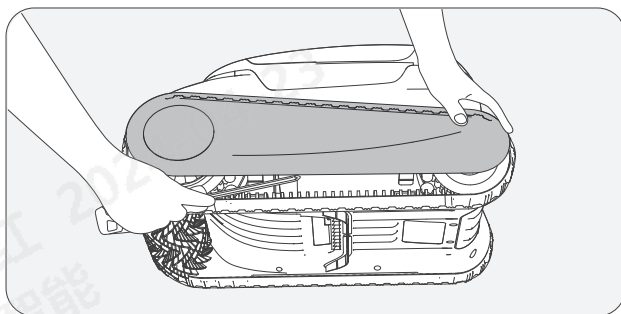
- d. Empty the filter basket, rinse, and replace the filter basket back into the device.



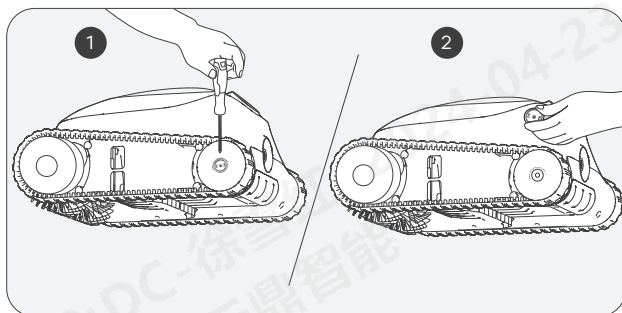
## 7. Maintenance

7.1 Replacing the tracks.

a. Remove the side cover plate from the device.

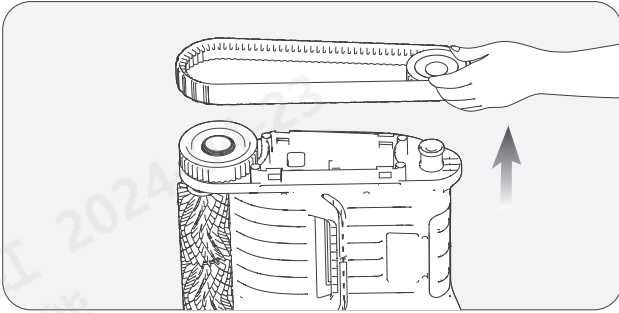


b. Remove the screws and the guide sleeves from the wheels.

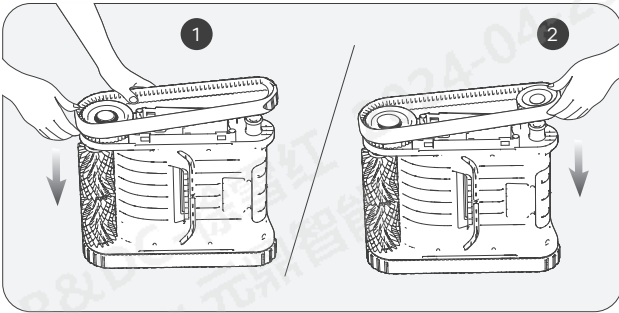




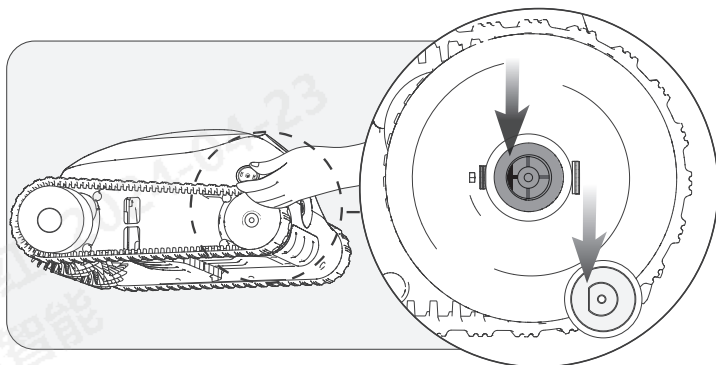
c. Pull the wheels and the track together to remove them.



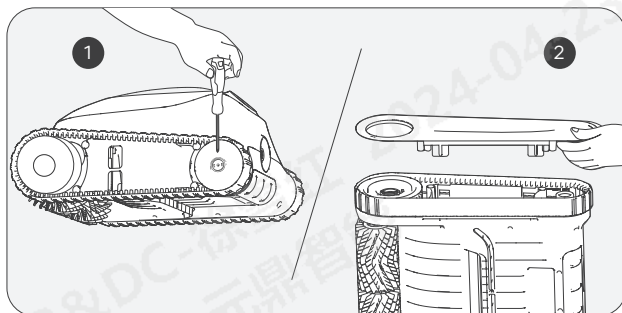
d. Align the gears on the new tracks with the gears on both wheels, then install the rear wheels and tracks together back onto the shaft sleeves.



- e. Re-install the white guide sleeves by aligning their D-shaped openings with that of the shaft sleeves.

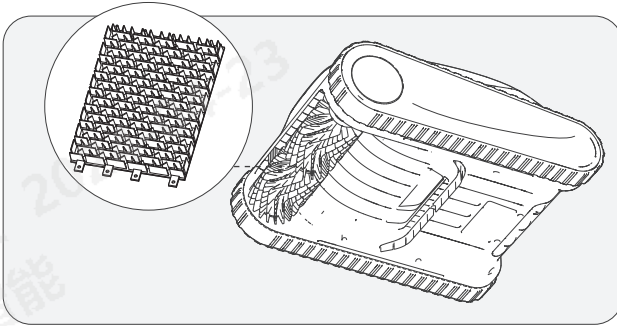


- f. Tighten the screws and re-install the side cover plate.

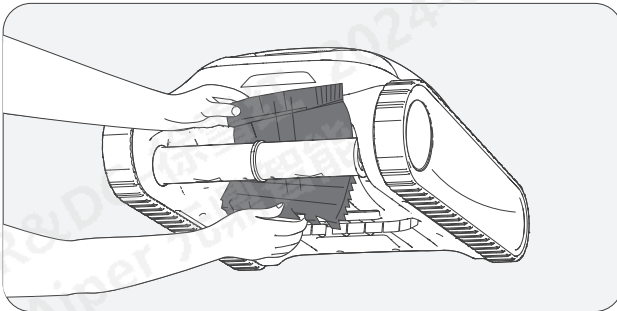


## 7.2 Replacing the roller brush belt.

- a. Find the side that looks different from the other roller brush belts, and pull down the silicone buckles that are stuck in the fixed slot.



- b. After all the silicone buckles are pulled out, replace the roller brush belt with a new one. Align the silicone buckles with the fixed slot and pull them outward. They can be fixed after passing through the slot.



## 8. Storage

### Winter Tips: How to store and secure your Aiper devices

How should I store my Aiper device during the off-season?

In your pool's off-season, such as winter months or long vacations when your Aiper device won't be used, there are a few steps to take to protect your device and keep it in the best condition possible.

1. Power off your device and disconnect it from the charger.
2. Clean the device of any residual dirt, including the top & bottom shell, wheels, roller brushes, and charging port.
3. Using a paper towel or soft cloth, wipe dry your device.
4. Box and store your device in a cool, well-ventilated area.
5. Charge your device every TWO months to 40%-60% battery capacity to maintain the battery health of your device.

When you're ready to use your Aiper device in your pool, fully charge the device before using it in your pool, and never charge your device in direct sunlight.

## 9. LED Indicator

Light Status	Device Status	Description	
Light is Pulsing	Charging	The LED colors indicate the battery level of the device.	Blue light always on: 100%
			Blue: > 50%
			Yellow: 50-15%
			Red: < 15%
Light Steady On	Operating	The LED colors indicate the battery level of the device.	Blue: > 50%
			Yellow: 50-15%
			Red: < 15%
Red Light Flashes Rapidly	Device Malfunction	Filter basket blockage, motor stalling, electrical leakage, etc.	

## 10. Packing List

NO.	Name	Model	QTY(pc)
1	Cleaner	Aiper Scuba N1	1
2	Charger	/	1
3	Retrieval Hook	/	1
4	User Manual	/	1
5	Extra PVC Brushes	/	2

## 11. Warranty

This product has passed quality control and safety test conducted by our technicians.

1. This product comes with a 24-month warranty that covers your item's battery and motor from the date of purchase.
2. This warranty is voided if the product has been altered, misused, or has been repaired by unauthorized persons.
3. This warranty extends only to manufacturing defects and does not cover damage resulting from the mishandling of the product by the owner.
4. The order number or receipt of purchase must be presented at the request of any repair claim during the warranty period.



This symbol indicates that this product shall not be treated as household waste. Instead it shall be handed over to the applicable collection point for the recycling of electrical and electronic equipment.

Merci d'avoir choisi Aiper.

Vous avez maintenant rejoint une famille de millions de personnes qui ont déjà fait confiance à Aiper pour prendre soin de leur piscine et qui profitent de la commodité d'une piscine parfaitement propre.

Le présent manuel de l'utilisateur vous aidera à entretenir votre nettoyeur de piscine Aiper et à faire en sorte qu'il fonctionne à son niveau d'efficacité maximal pendant les années à venir. Veuillez prendre quelques minutes pour lire ce manuel.

Si vous avez des questions, veuillez consulter notre site Web à l'adresse [www.aiper.com](http://www.aiper.com) et contacter notre service clientèle pour obtenir de l'aide ou de plus amples informations.

## Service clientèle d'Aiper :

US Toll-Free: 1-866-850-0666

AU Toll-Free: +61(180)049-7023

Email: [service@aiper.com](mailto:service@aiper.com)

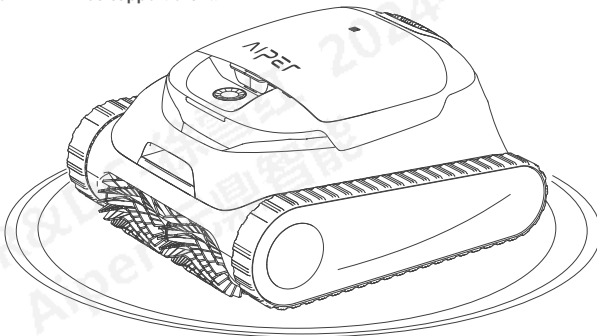
Facebook: @AiperOfficial



Scannez pour accéder au guide vidéo



Scannez le code QR pour obtenir du support client.



2024-04-23

R&DC-徐雪红  
Aiper

R&DC-徐雪红 2024-04-23  
Aiper 元鼎智能

# AIPER®

— bring vacation home —

R&DC-徐雪红 2024-04-23  
Aiper 元鼎智能



[www.aiper.com](http://www.aiper.com)

04-23