

PH06 摩托车手机支架

产品说明书

● 使用前请仔细阅读产品说明书，错误的安装和使用方式会导致手机从手机支架中脱出跌落或损坏手机支架，并失去相关的免费保修服务。

产品规格

型号： PH06

兼容手机尺寸(含手机保护壳)

宽度范围： 65-92mm 长度范围： 125-169mm 厚度范围：≤12.5mm

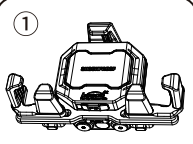
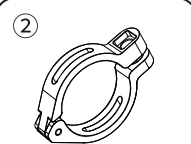
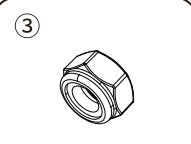
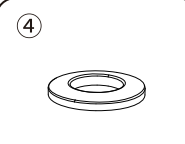
输入电压： 12-16V

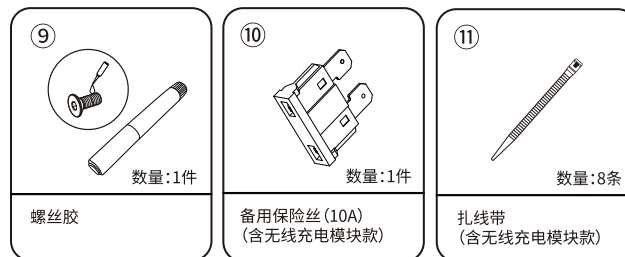
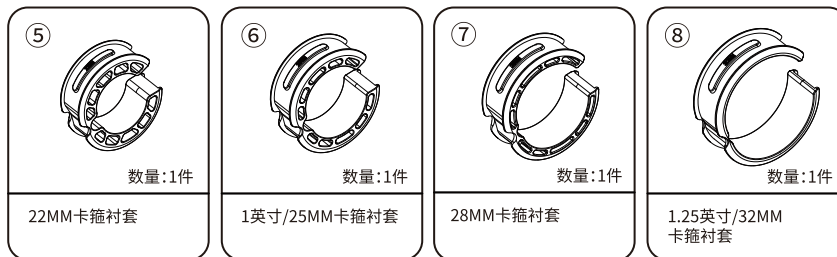
无线充电输出功率： 15W(MAX) 有线充电输出功率： 36W(MAX)

保护功能：反接保护/短路保护/过压保护/过流保护/过充保护/欠压保护/过温保护/异物检测保护

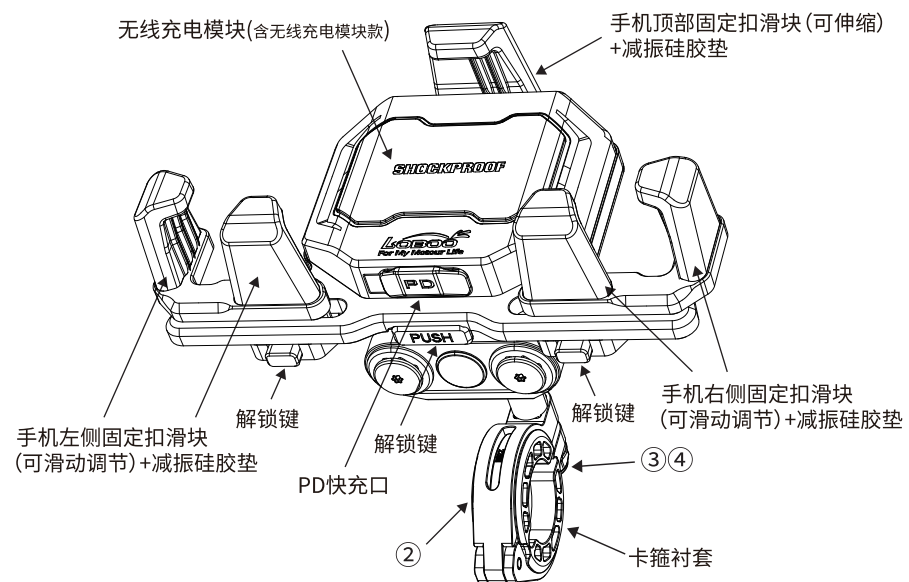
减振结构：多重减振

装箱清单

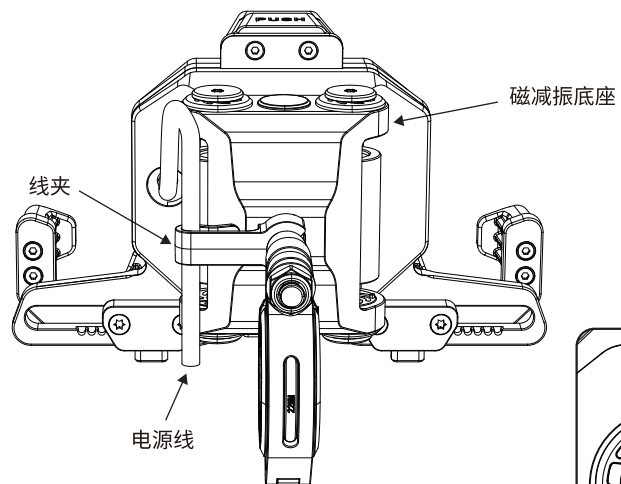
 <p>①</p> <p>数量:1件</p>	 <p>②</p> <p>数量:1件</p>	 <p>③</p> <p>数量:1件</p>	 <p>④</p> <p>数量:1件</p>
标准款手机支架主体	车把卡箍	M6防松螺母	M6垫片



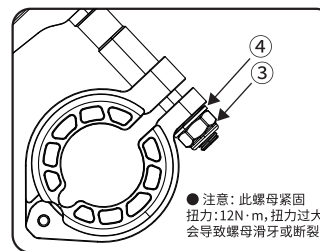
产品图示



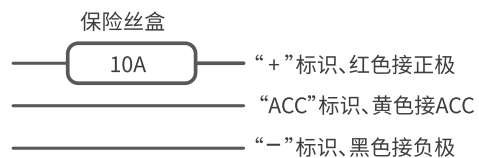
产品图示



注意：电源线需卡进线夹固定
(从出线口到线夹长度预留9-11cm)



无线充电模块接线图示



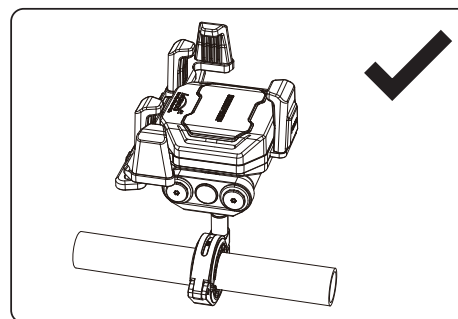
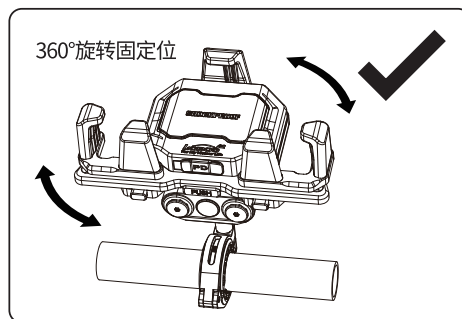
ACC是指摩托车上钥匙门打开即通电(长通)、关闭钥匙门即断电(长断)的12V-15V电线。

安装使用、ACC寻找视频教程

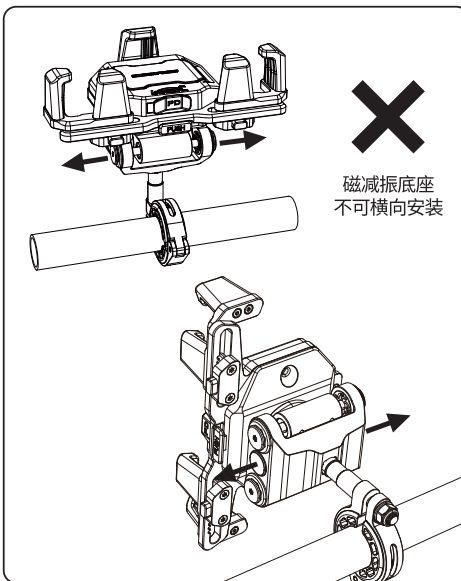
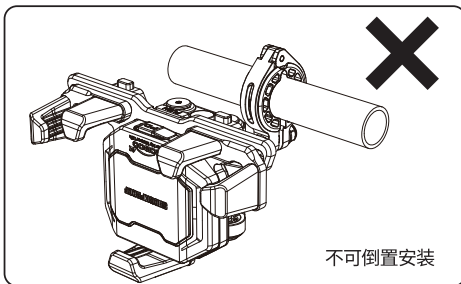
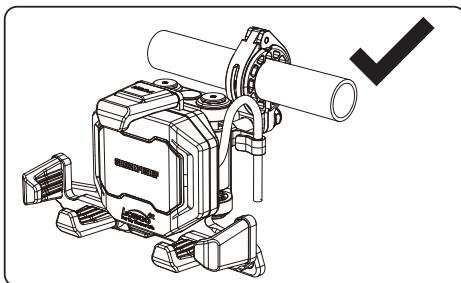


扫码观看视频

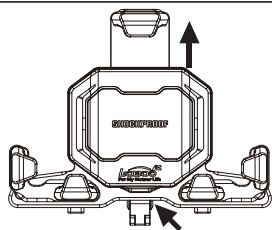
安装图示



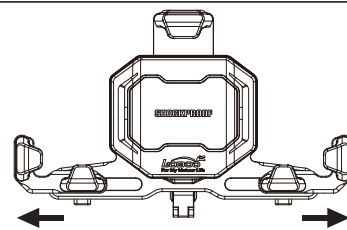
安装图示



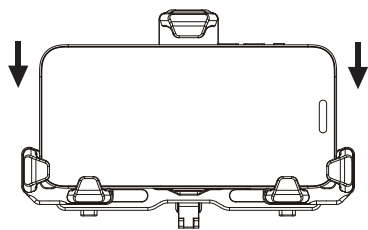
使用方法



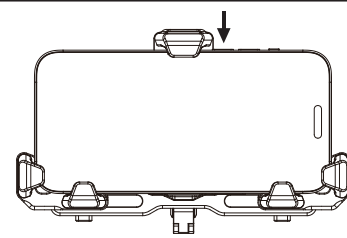
1. 按压中间解锁键弹出顶部固定扣滑块。



2. 按住左右固定扣滑块解锁键调节宽度。



3. 放入手机。



4. 调节左、右侧固定扣滑块贴合手机，往下压紧顶部固定扣滑块夹紧手机。

注意事项

1. 此款摩托车手机支架可适用于长时间非铺装路面行驶,如需用于飞跃、竞赛、高强度越野等,请注意检查滑块充分夹紧手机。
2. 请正确调节左、右侧固定扣滑块位置,左右固定扣贴合手机间隙不超0.5mm为宜,错误的调节方式会导致手机从手机支架中脱出跌落。
3. 更换不同型号和尺寸的手机后需重新调节左、右侧固定扣滑块。
4. 定期检查所有螺丝,如有松动,请及时紧固。
5. 请定期检查顶部滑块顺畅度,以防灰尘或其它异物堆积导致滑块卡滞,如有上述情况,请及时清洁。
6. 固定手机支架无线充模块线缆时请预留出手机支架旋转时的余量,手机支架旋转时请注意不要与车上其它部件干涉。因含无线充电模块的手机支架线缆的存在,严禁手机支架同方向旋转超过1圈。
7. 为保证最佳的无线充电效果,请在放置手机时尽量让手机背部紧贴手机支架,并使用尽量薄的手机保护壳,手机背部离无线充电模块越远,充电效率越低,最远不得超过约3mm。
8. 请勿使用背部含有金属部件的手机保护壳,否则会引发无线充电模块的异物检测保护功能,从而停止充电。
9. 安装手机支架线缆时,布线藏线请避开车辆点火线圈和高压包,以避免电磁干扰可能造成无线充使用异常。
10. 智能手机自带智能温控系统,当外部环境温度过高、阳光直射、手机散热不良或充电功率过大而导致手机充电温度过高时,手机无线充会自动降低充电功率,特别是苹果手机智能温控温度较低,当手机温度升高时会表现为充电速度变慢,甚至边充电边掉电的情况,需等到手机温度降低后充电才能恢复正常,如需快速充电请使用手机支架有线充电功能。
11. 带充电功能的手机支架仅限安装于12-16V直流电压的燃油摩托车上,请勿超范围使用。
12. 当不使用有线充电时,请保持充电口硅胶塞为关闭状态。

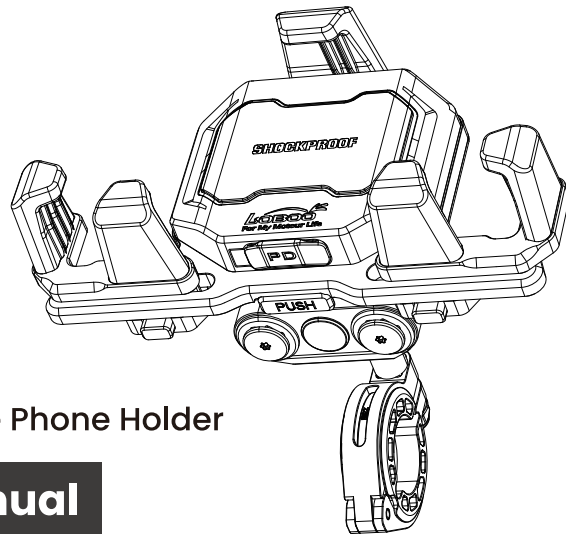
售后服务条款

1. 1年免费保修期,此款摩托车手机支架自售出之日起1年内,在正常使用情况下出现质量问题,可享受免费维修服务。
2. 有限保修:一年保修时间到期后, LOBOO将提供有偿保修服务,费用以实际更换材料费用为准,不另收取人工费用。
3. 此款摩托车手机支架为多重减振结构,此减振结构能够减缓大幅度及高频的振动,但仍不能完全消除振动, LOBOO及旗下经销商不对振动造成的手机损坏负责。
4. 因超范围使用或未按说明书操作造成的手机跌落损坏, LOBOO及旗下经销商不承担由此造成的一切损失。

免费保修服务不包括以下内容:

- 因使用不当、人为损坏、自行拆解、自行改装和维修、破坏出厂提供的线缆、不合适的操作环境导致的故障。
- 非正规渠道购买或不能提供购买凭证。

使用前请仔细阅读相关售后服务条款, 拆除包装并安装即表示接受此售后服务条款。



PH06

Motorcycle Mobile Phone Holder

Product Manual

*Please thoroughly review the product manual before usage. Incorrect installation and improper usage may result in the phone dislodging from the mount, falling, damaging the mount, and consequently voiding any associated complimentary warranty services.

Product Specifications

Model: PH06

Compatible Phone Size (Including Phone Cases)

Width Range: 65-92mm

Length Range: 125-169mm

Thickness Range: ≤12.5mm

Input Voltage: 12-16V

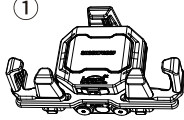
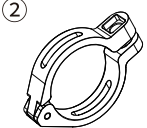
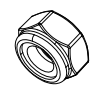

Wireless Charging Output Power: 15W(MAX)

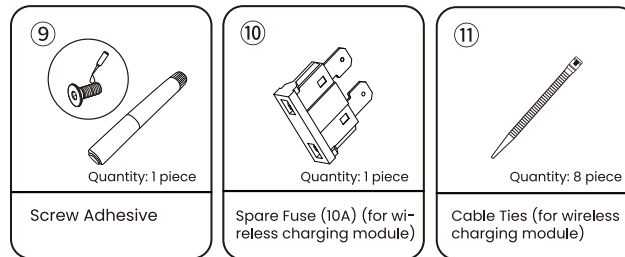
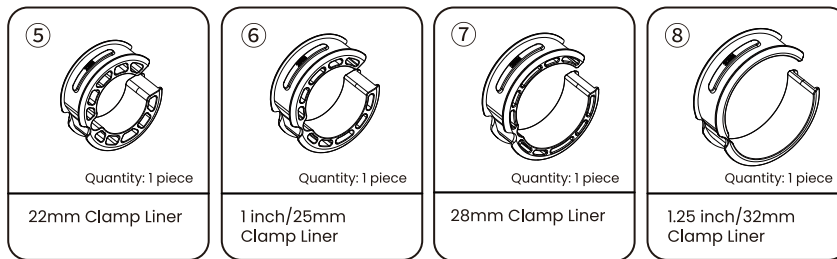
Wired Charging Output Power: 36W(MAX)

Protection Features: Reverse Connection Protection / Short Circuit Protection / Overvoltage Protection / Overcurrent Protection / Overcharge Protection / Undervoltage Protection / Over-temperature Protection / Foreign Object Detection Protection

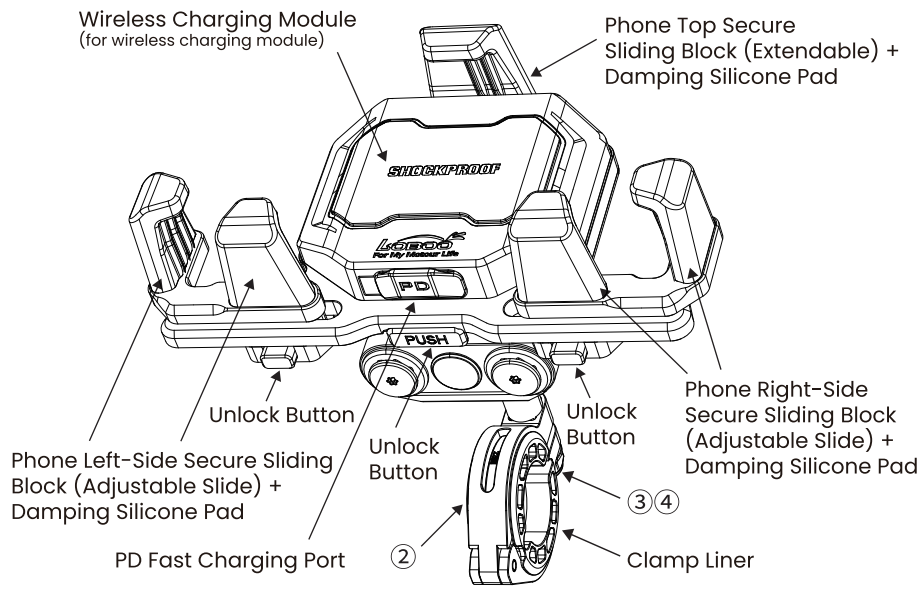
Vibration Damping Structure: Multiple vibration dampening

Packing List

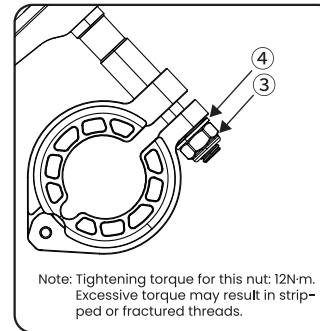
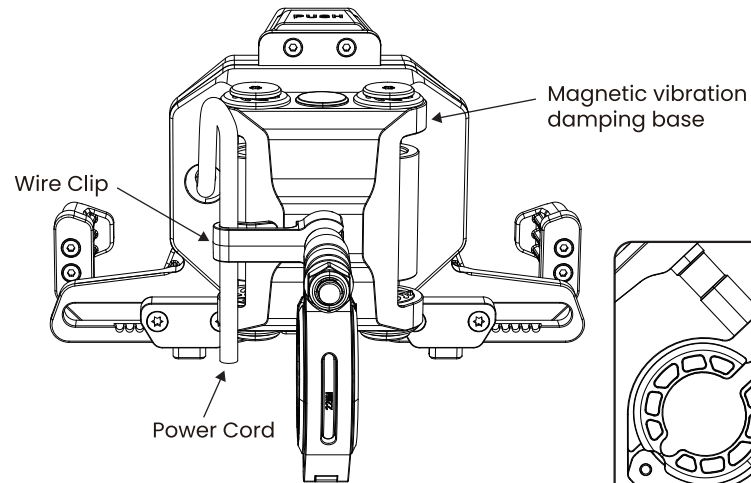
<p>①</p>  <p>Quantity: 1 piece</p>	<p>②</p>  <p>Quantity: 1 piece</p>	<p>③</p>  <p>Quantity: 1 piece</p>	<p>④</p>  <p>Quantity: 1 piece</p>
<p>Standard Mobile Phone Holder</p>	<p>Handlebar Clamp</p>	<p>M6 Anti-loosening Nut</p>	<p>Nut M6 Gasket</p>



Product Diagram



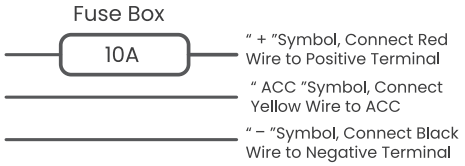
Product Diagram



Note: The power cord needs to be clamped into the clip (9-11cm from the outlet to the clip).

Note: Tightening torque for this nut: 12N·m.
Excessive torque may result in stripped or fractured threads.

Wireless Charging Module Wiring Diagram



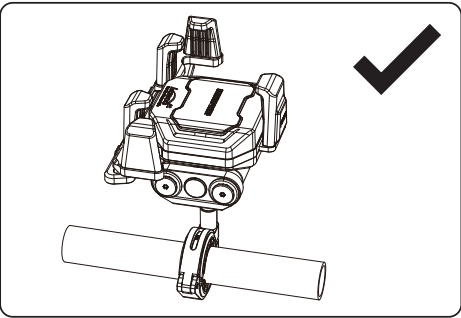
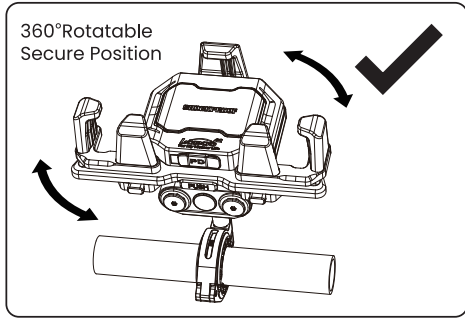
ACC refers to the 12V-15V wire on the motorcycle that powers on (Long-time power-on) when the ignition key is turned on and powers off (Long-time power-off) when the ignition key is turned off.

Installation and Usage, ACC Detection Video

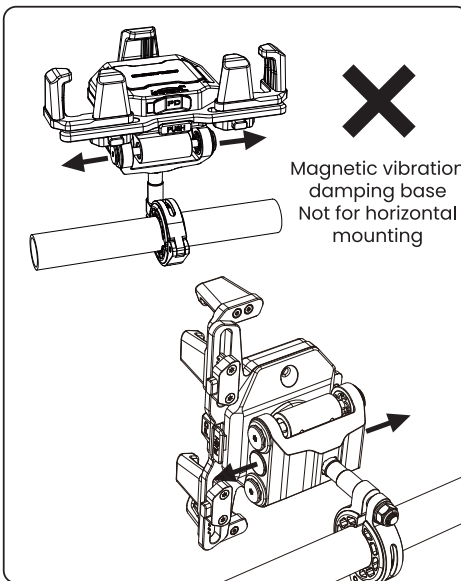
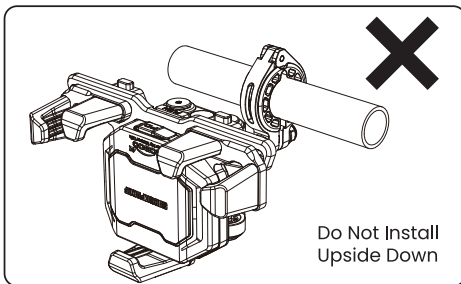
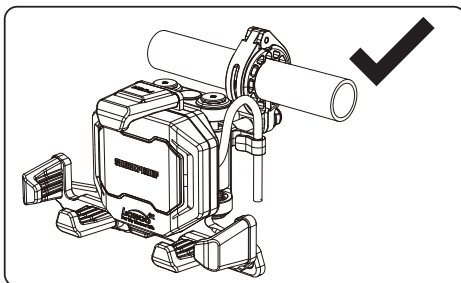


Scan QR Code to Watch Video

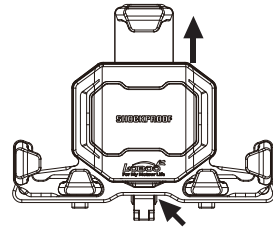
Installation Diagram



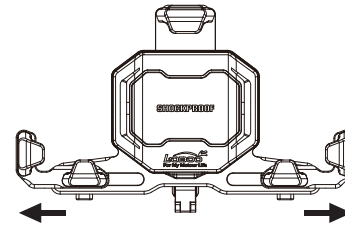
Installation Diagram



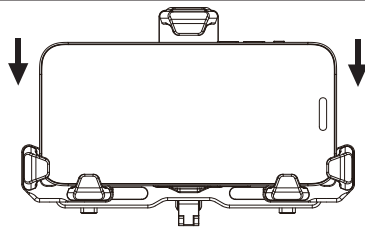
Usage



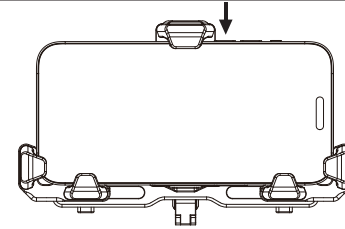
1. Press the center unlock button to pop up the top retaining sliding block.



2. Press and hold the left and right fixed sliding block unlock button to adjust the width.



3. Place your phone into the mount.



4. Adjust the left and right fixed sliding block to fit the phone, and press down on the top fixed sliding block to clamp the phone.

Notes

1. This phone holder can be used for long time driving on unpaved roads, if you need to use it for jumping, racing, high intensity off-road, etc., please pay attention to check that the slider is sufficiently clamped .
2. Please adjust the positions of the left and right sliding block correctly. The gap between the left and right sliding block and the phone should not exceed 0.5mm. Incorrect adjustment can cause the phone to detach and fall from the mount.
3. When changing to a phone of a different model or size, readjust the positions of the left and right sliding block as well as the top sliding block.
4. Regularly inspect all screws and tighten them promptly if any looseness is observed.
5. Please check the smoothness of the top slider regularly to prevent dust or other foreign matter from accumulating and causing the slider to stall, if any of the above conditions, please clean it in time.
6. When securing the cable of the wireless charging module to the mobile phone mount, ensure that there is enough allowance for rotation. During rotation, ensure that the mobile phone mount does not interfere with other motorcycle components. Due to the presence of the wireless charging module cable on the mobile phone mount, rotating the mount in the same direction for more than 1 full turn is strictly prohibited.
7. To ensure optimal wireless charging performance, when placing the phone, please ensure that the back of the phone is as close as possible to the mobile phone mount. It is recommended to

use thin phone cases. The farther the phone's back is from the wireless charging module, the lower the charging efficiency will be, with a maximum distance of approximately 3mm.

8. Do not use phone cases with metal components on the back, as this can trigger the foreign object detection protection function of the wireless charging module, causing charging to stop.
9. When installing the mobile phone mount's cable, route the wiring to avoid the vehicle's ignition coil and high-voltage package to prevent electromagnetic interference that might result in abnormal wireless charging operation.
10. Smartphones come with intelligent temperature control systems. When the external environment temperature is high, there is direct sunlight, poor phone heat dissipation, or excessive charging power causing the phone's temperature to rise, the wireless charging may automatically reduce its power output. This is particularly noticeable with Apple phones, where the temperature control threshold is relatively low. High temperatures may lead to slower charging rates or even charging while discharging. Normal charging will resume once the phone's temperature decreases. For rapid charging, please use the wired charging feature of the mobile phone mount.
11. Mobile phone mounts with charging capabilities are only suitable for installation on fuel motorcycles with a DC voltage of 12-16V. Do not use beyond this range.
12. When not using wired charging, please keep the charging port's silicone plug in the closed state.

After-sales service terms

1. 1-Year Free Warranty Period: This motorcycle mobile phone mount is eligible for a 1-year free warranty period starting from the date of purchase. In the case of quality issues arising under normal usage conditions within this period, you are entitled to free repair services.
2. Limited Warranty: After the 1-year warranty period expires, LOBOO will offer paid repair services. Charges will be based on the actual material replacement costs, and no additional labor costs will be incurred.
3. Vibration Damping Structure: This motorcycle mobile phone mount features a multi-damping structure designed to mitigate substantial and high-frequency vibrations. However, it cannot entirely eliminate vibrations. LOBOO and its authorized dealers are not responsible for phone damage caused by vibrations.
4. LOBOO and distributors are not responsible for any damage caused by the fall of the phone due to overuse or failure to follow the instruction.

Free warranty services do not cover the following:

- Faults resulting from improper use, intentional damage, self-disassembly, self-modification, self-repair, or damage to provided cables, or faults caused by operating in unsuitable environments.
- Purchases from unauthorized channels or without valid purchase receipts.

Please read the related after-sales service terms thoroughly before unpacking and installing the product. By removing the packaging and installing the product, you are indicating your acceptance of these after-sales service terms.

FCC Statement

This device complies with part 15 of the FCC Rules. Operation is subject to the following two conditions: (1) this device may not cause harmful interference, and (2) this device must accept any interference received, including interference that may cause undesired operation.

Note: This equipment has been tested and found to comply with the limits for a Class B digital device, pursuant to part 15 of the FCC Rules. These limits are designed to provide reasonable protection against harmful interference in a residential installation. This equipment generates, uses, and can radiate radio frequency energy and, if not installed and used in accordance with the instructions, may cause harmful interference to radio communications. However, there is no guarantee that interference will not occur in a particular installation.

This equipment generates uses and can radiate radio frequency energy and, if not installed and used in accordance with the instructions, may cause harmful interference to radio communications. However, there is no guarantee that interference will not occur in particular installation. If this equipment does cause harmful interference to radio or television reception, which can be determined by turning the equipment off and on, the user is encouraged to try to correct the interference by one or more of the following measures:

--Reorient or relocate the receiving antenna.

--Increase the separation between the equipment and receiver. --Connect the equipment into an outlet on a circuit different from that to which the receiver is connected.

--Consult the dealer or an experienced radio/TV technician for help.

Changes or modifications not expressly approved by the party responsible for compliance could void the user's authority to operate the equipment.

Radiation Exposure Statement

The FCC certification of this device refers to RF exposure testing performed in typical operating conditions, where a person is no closer than 20 centimeters from the device surface at all times, except for non-repetitive patterns with transient time intervals in the order of a second. Only in the stated conditions, the device is shown to fully comply with the FCC RF Exposure requirements of KDB 447498.