
Antenna specification

1、 Antenna introduction

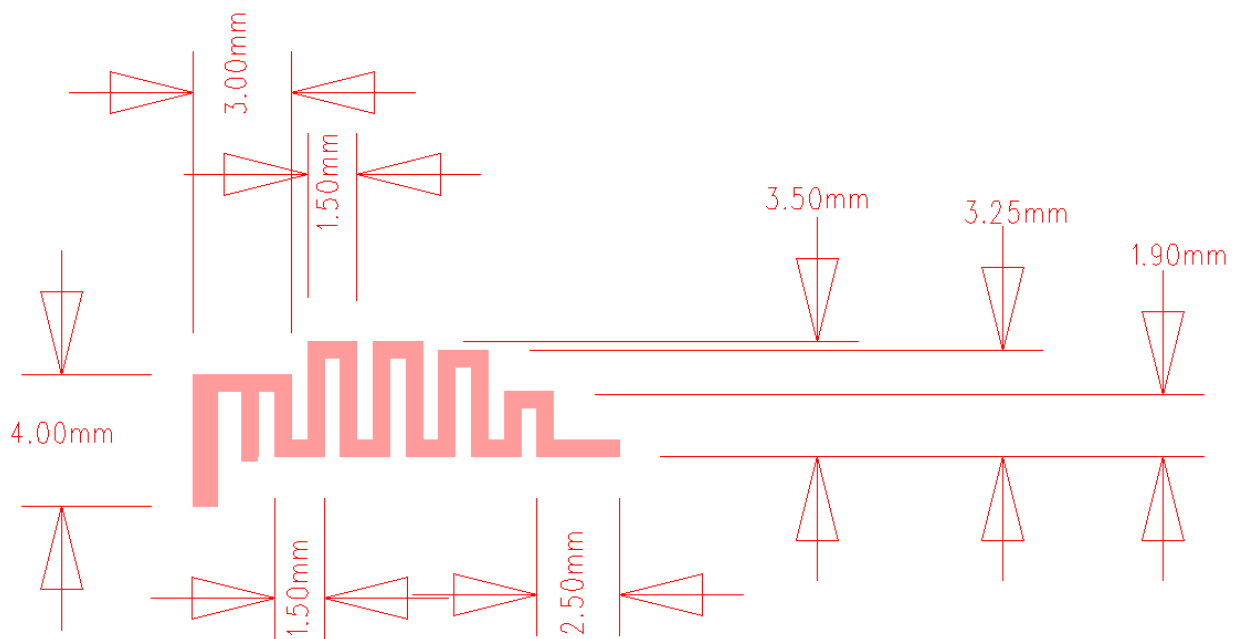
The Bluetooth module antenna is directly used on the PCB.

Manufacturer: Lenze Design Inc

Address : 7th Floor,Ching Po Building,Shenzhen Special Zone Press Group,Futian

District,Shenzhen

2、 Antenna shape



3、 Antenna parameter

The Bluetooth antenna operates at 2400-2500 MHz and generates resonance in this band. The table below shows the main parameters of the antenna.

Frequency (MHz)	2400 ~ 2500 MHz
VSWR	≤ 1.95
Impedance	50 Ohm Nominal
Return Loss	-15 dB Max
Radiation	Omni-directional
Gain (Peak)	-3 dBi
Polarization	Linear, Vertical
Admitted Power	1MW
Connector	Tin
Model	2.4G BT ANT

4、 Antenna gain report

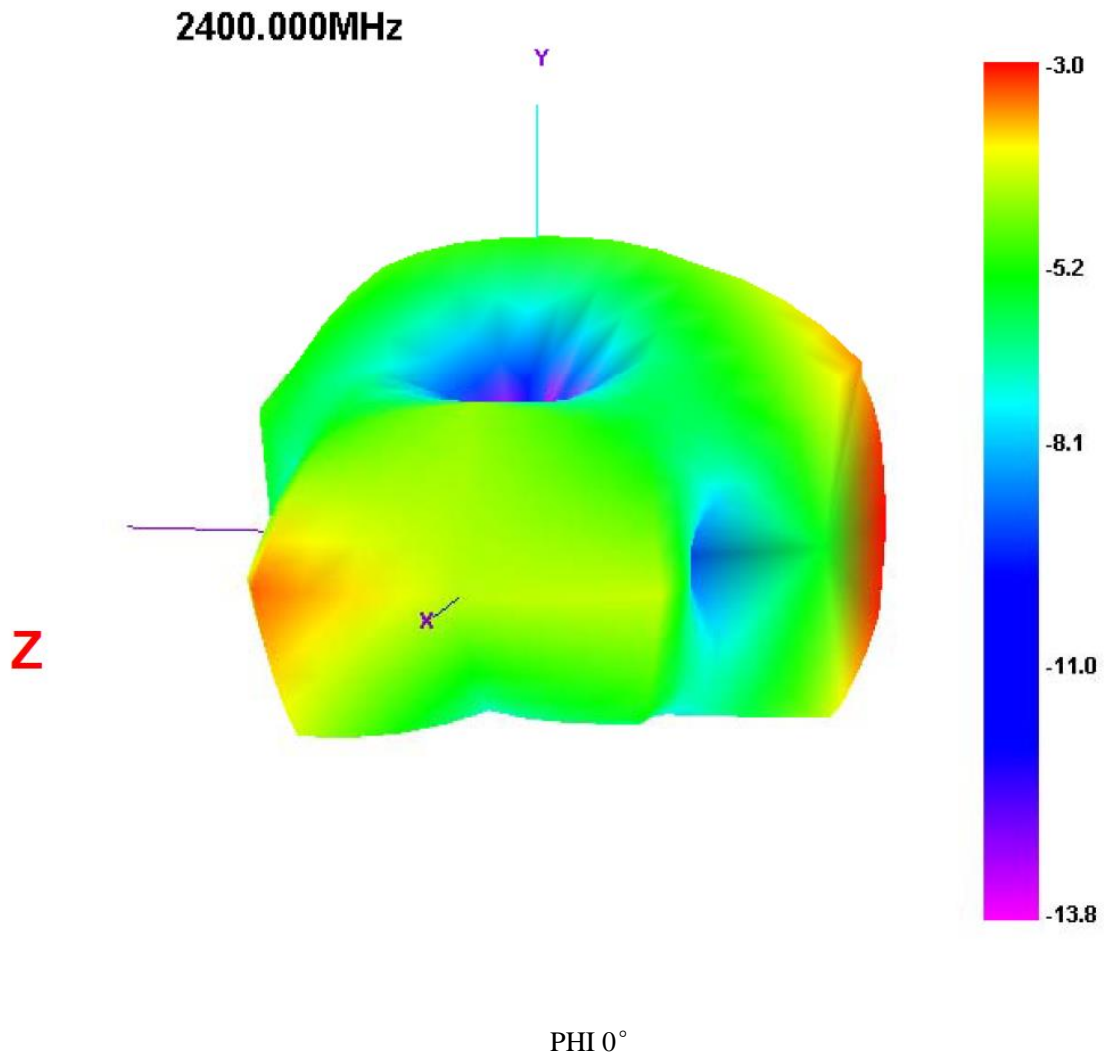
Spectrum Detector:
Test By:
Test Result:
Modulation:

PK
Mark
PASS
GFSK

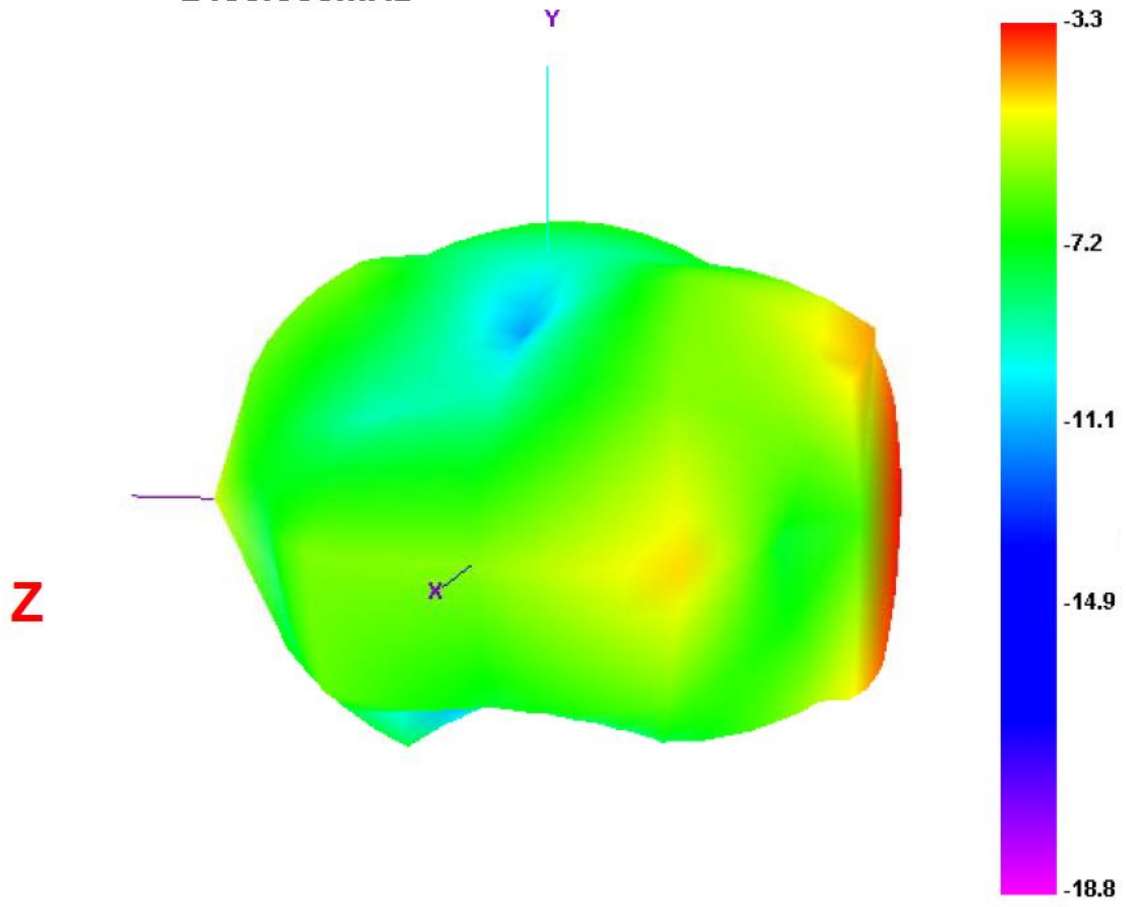
Test Date : Feb 18, 2019
Temperature : 25°C
Humidity : 52 %

Frequency VNA (MHz)	E Total. dB(dBi)
2400MHz	-3.0
2410MHz	-3.1
2420MHz	-3.4
2430MHz	-3.3
2440MHz	-3.7
2450MHz	-3.3
2460MHz	-3.5
2470MHz	-3.5
2480MHz	-3.8
2490MHz	-3.4
2500MHz	-3.6

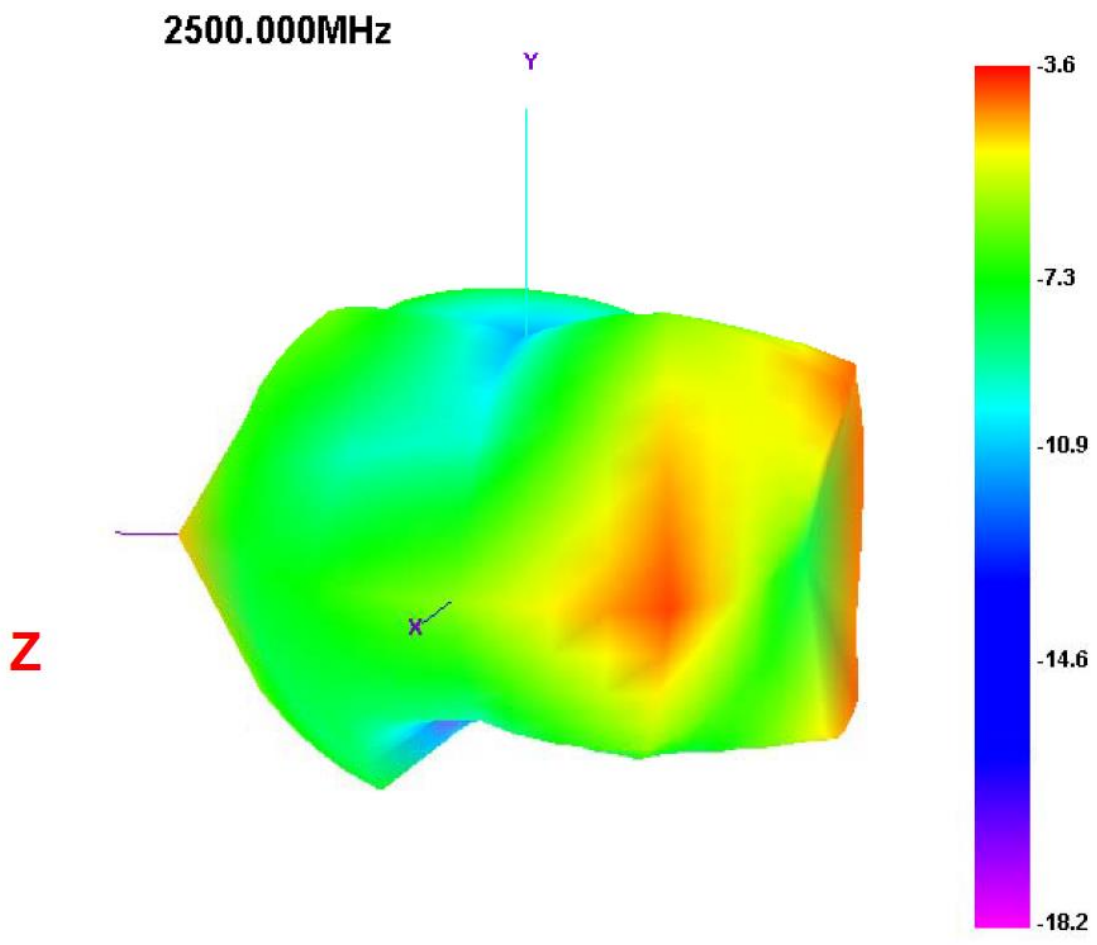
Direction map:



2450.000MHz



PHI 90°



THETA 90°