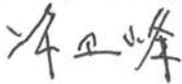


OTA TEST REPORT

Report No. NRL-OTA-2023-0038

Applicant	Cherub Technology Co., Ltd.
Address	No.10, Keji 9th Road, Tangjiawan Town, Zhuhai High-tech Zone, Guangdong, China, 519080
Telephone	13760243937
Manufacturer	/
Address	/
Telephone	/
Product Name	Bluetooth Audio & MIDI Adaptor
Model	NBT-1
Sample Source	Customer delivery
Delivery Date	2023.12.22
Test Date	2023.12.25
Reference Documents	See Appendix A
Testing Content	Passive
Verdict	/
Report Date	2023.12.26

Compiled by



Reviewed by
Xu Tao



Approved by
Shi Yang

(Authorized signatory)



Note:

The report shall not be partially reproduced without the written permission of Core Wireless (Beijing) Communication Technology Co., LTD. The test results are only valid for the corresponding test samples.



CONTENTS

1. EUT Information.....	3
2. Lab Information.....	3
3. Equipments	3
4. Test Results.....	4
4.1 EUT No. 2023-0040-0002.....	4
Appendix A: Reference Documents.....	7
Appendix B: EUT Photographs	8
Appendix C: 3D Pattern Plots.....	10
EUT No. 2023-0040-0002.....	10

Note:

The report shall not be partially reproduced without the written approval of Core Wireless (Beijing) Communication Technology Co., LTD. The test results are valid only for the corresponding test samples.

1. EUT Information

EUT No.	2023-0040-0002
Type	NBT-1
IMEI/SN	/
SW Version	V1.0
HW Version	V1.0
Testing Environment	25°C 35%RH

2. Lab Information

Company Name	Core Wireless (Beijing) Communication Technology Co., LTD
Company Address	Room 101, Building 62, Jinghai 3rd Road, No.109, BDA, Beijing, China 100176
Laboratory Address	Room 101, Building 62, Jinghai 3rd Road, No.109, BDA, Beijing, China 100176
Contacts	Shiyang
Telephone	+86-10-67870336
E-mail	shiyang@newradiolab.com

3. Equipments

No.	Name	Model	S/N	Manufacturer	Cal. Date
1	ENA Vector Network Analyzer	E5071C	MY42202610	Agilent	2023/09/26
2	Anechoic Chamber	AMS8500	N/A	ETS-Lindgren	N/A
3	Switch Controller	TS-RSP	100365	R&S	N/A
4	Multi-Device Positioning Controller	2090	00060093	ETS-Lindgren	N/A
5	Diagonal Dual Polarized Horns	3164-04	1009	ETS-Lindgren	N/A
6	EMQuest	V1.16	N/A	ETS-Lindgren	N/A

Note:

The report shall not be partially reproduced without the written approval of Core Wireless (Beijing) Communication Technology Co., LTD. The test results are valid only for the corresponding test samples.

4. Test Results

4.1 EUT No. 2023-0040-0002

Frequency (MHz)	Efficiency (%)	Gain (dBi)
2400	20.1744	-3.96195
2401	22.6019	-2.8551
2402	21.833	-3.51754
2403	22.2309	-3.18948
2404	21.804	-2.73062
2405	23.4719	-2.13573
2406	20.3466	-2.56336
2407	21.2625	-2.7943
2408	23.3663	-2.19547
2409	20.6872	-2.76787
2410	21.2153	-3.06042
2411	19.3088	-3.40418
2412	21.1758	-2.56795
2413	20.4495	-2.61058
2414	19.8248	-2.41616
2415	20.8934	-3.88725
2416	19.7332	-2.70776
2417	18.8649	-4.42612
2418	21.8003	-2.58443
2419	20.5394	-2.9106
2420	18.836	-4.05321
2421	20.9878	-2.37431
2422	20.4898	-4.01995
2423	23.0653	-3.05973
2424	22.105	-3.8545
2425	20.6708	-3.16349
2426	20.3416	-3.12322
2427	21.3475	-1.83487
2428	22.1316	-1.03962
2429	20.7374	-3.7556
2430	21.7409	-3.55713
2431	20.612	-2.92861
2432	17.8543	-3.71816
2433	18.9925	-3.02164
2434	17.3263	-5.10337

Note:

The report shall not be partially reproduced without the written approval of Core Wireless (Beijing) Communication Technology Co., LTD. The test results are valid only for the corresponding test samples.

2435	21.0873	-3.09432
2436	19.2869	-2.72999
2437	18.3593	-3.5069
2438	20.3741	-2.70737
2439	19.4173	-2.63821
2440	21.1844	-3.0933
2441	20.2935	-4.0472
2442	18.8245	-3.68412
2443	20.0978	-2.76599
2444	19.4545	-2.7286
2445	17.3934	-2.69589
2446	21.4669	-2.44453
2447	19.5803	-3.15643
2448	18.5127	-3.2257
2449	18.5732	-4.33945
2450	19.347	-4.32131
2451	19.3673	-2.89241
2452	19.8588	-3.17462
2453	17.5641	-3.44997
2454	20.5225	-2.43242
2455	18.4412	-3.04818
2456	17.4906	-3.49409
2457	17.516	-3.73517
2458	18.7468	-3.50615
2459	17.3778	-3.91879
2460	17.2106	-2.9695
2461	17.329	-3.85633
2462	16.6773	-3.85528
2463	18.2389	-2.85523
2464	17.5164	-3.49387
2465	16.7046	-2.51571
2466	16.6096	-4.34237
2467	17.3189	-4.26642
2468	16.3331	-3.73866
2469	16.7261	-4.81534
2470	17.0663	-3.76651
2471	16.4044	-4.24411
2472	17.1223	-4.47672
2473	17.5121	-3.4386
2474	17.2898	-3.26948

Note:

The report shall not be partially reproduced without the written approval of Core Wireless (Beijing) Communication Technology Co., LTD. The test results are valid only for the corresponding test samples.

2475	17.6819	-2.19279
2476	16.1899	-4.60894
2477	17.335	-2.57227
2478	16.4216	-3.8632
2479	16.4218	-4.27529
2480	16.2095	-3.57744
2481	14.8845	-4.99718
2482	17.8877	-2.55023
2483	16.6914	-3.95923

***** END OF REPORT BODY *****

Note:

The report shall not be partially reproduced without the written approval of Core Wireless (Beijing) Communication Technology Co., LTD. The test results are valid only for the corresponding test samples.

Appendix A: Reference Documents

Reference	Title	Version
IEEE Std 149	IEEE Recommended Practice for Antenna Measurements	2021
GB/T 9410	General specification for antennas used in the mobile communications	2008

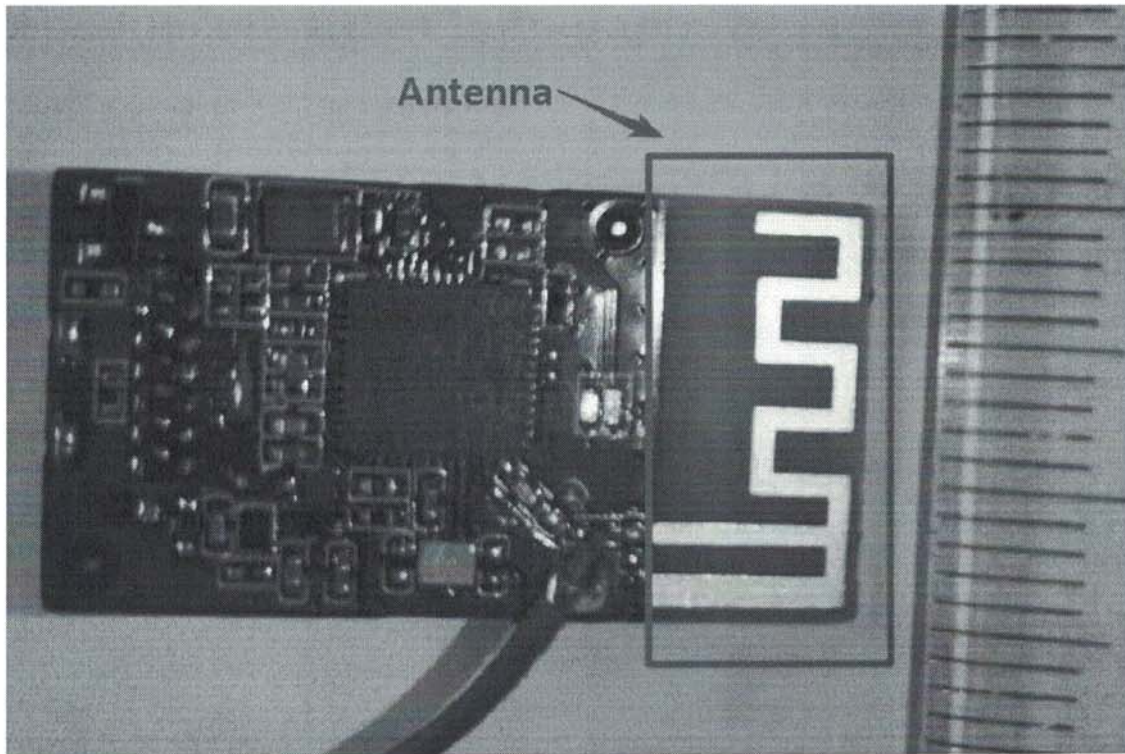
Note:

The report shall not be partially reproduced without the written approval of Core Wireless (Beijing) Communication Technology Co., LTD. The test results are valid only for the corresponding test samples.

北京核心无线通信技术有限公司

Appendix B: EUT Photographs

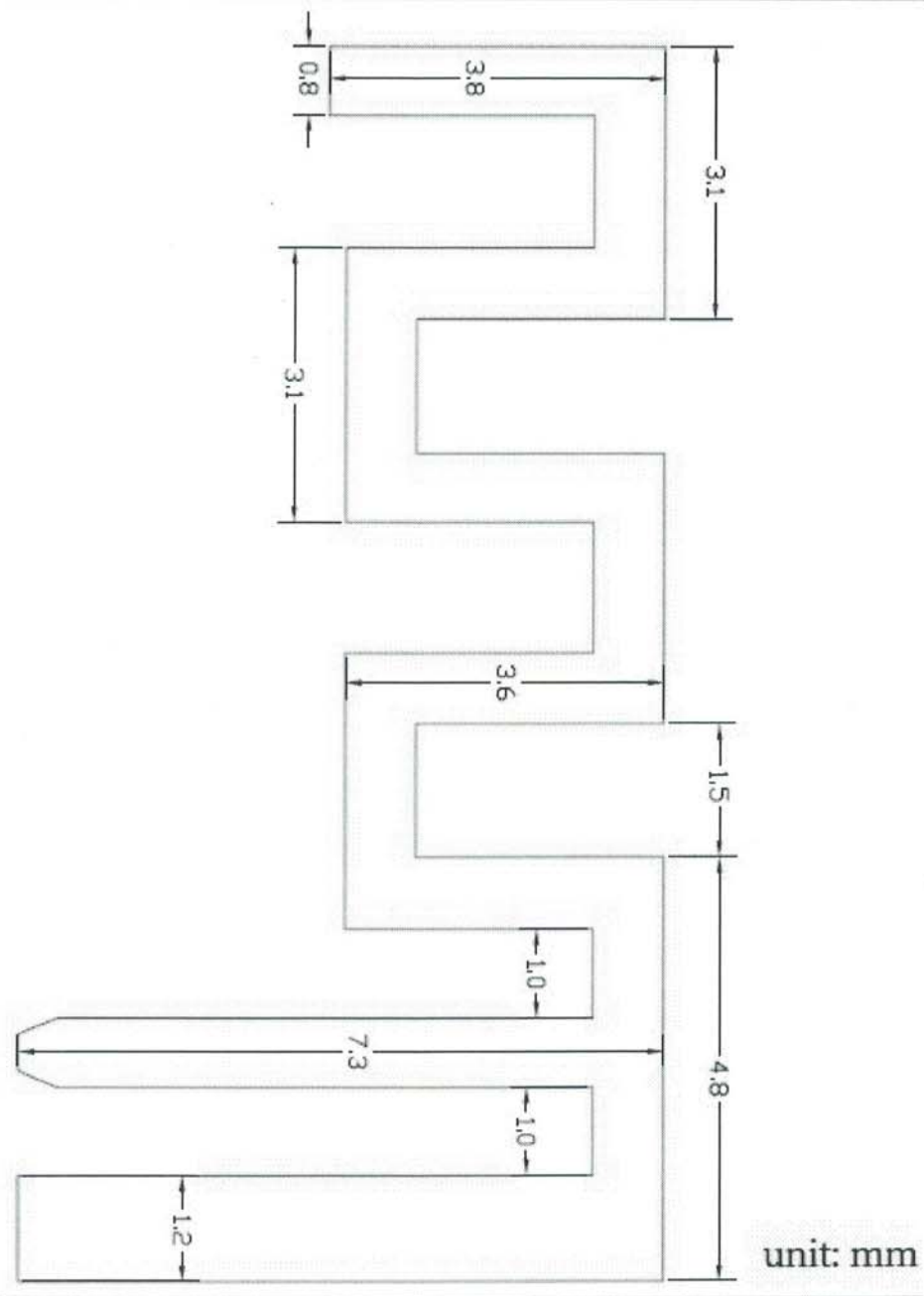
EUT No. 2023-0040-0002



Note:

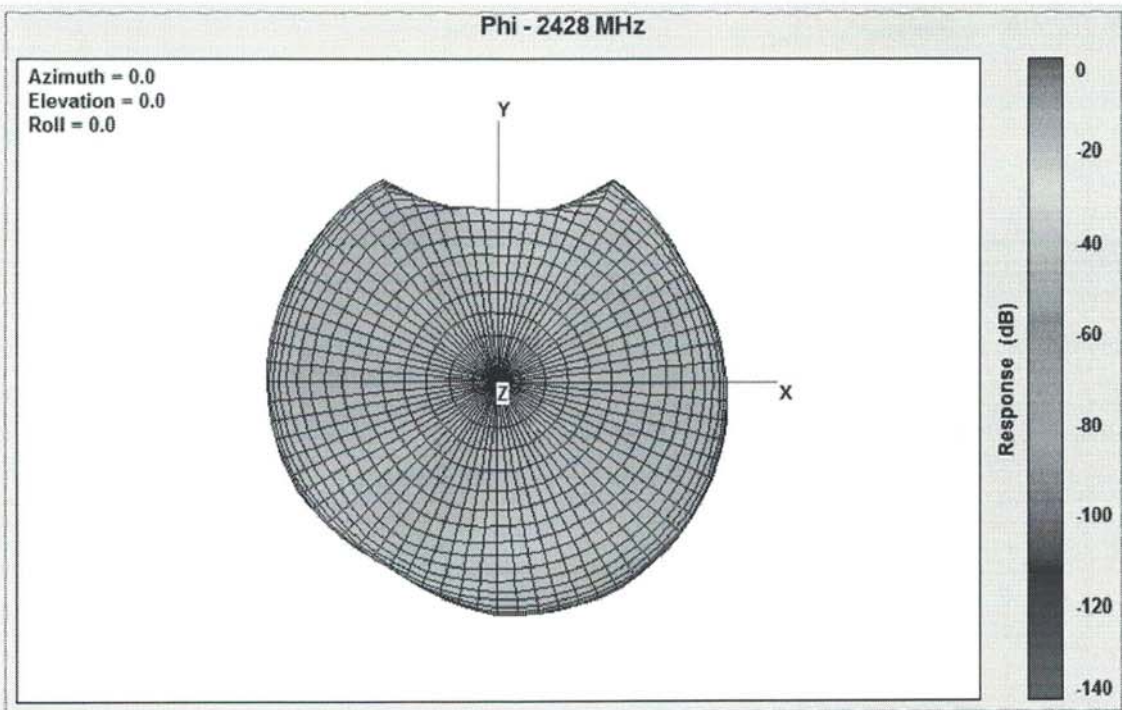
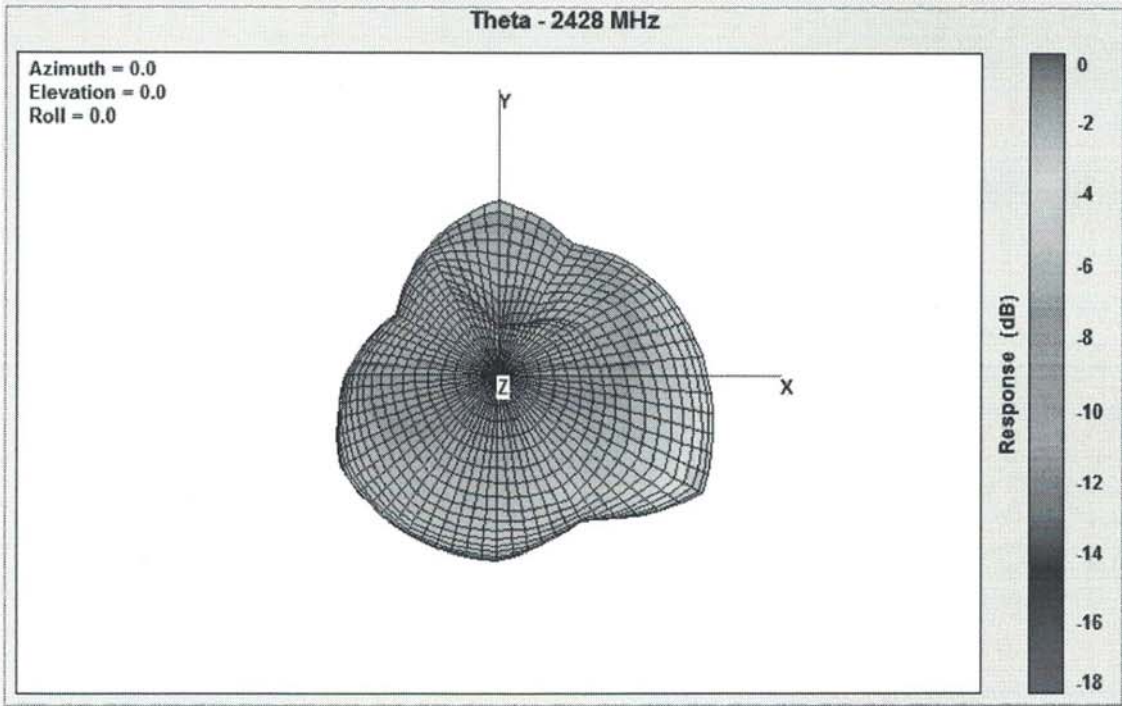
The report shall not be partially reproduced without the written approval of Core Wireless (Beijing) Communication Technology Co., LTD. The test results are valid only for the corresponding test samples.

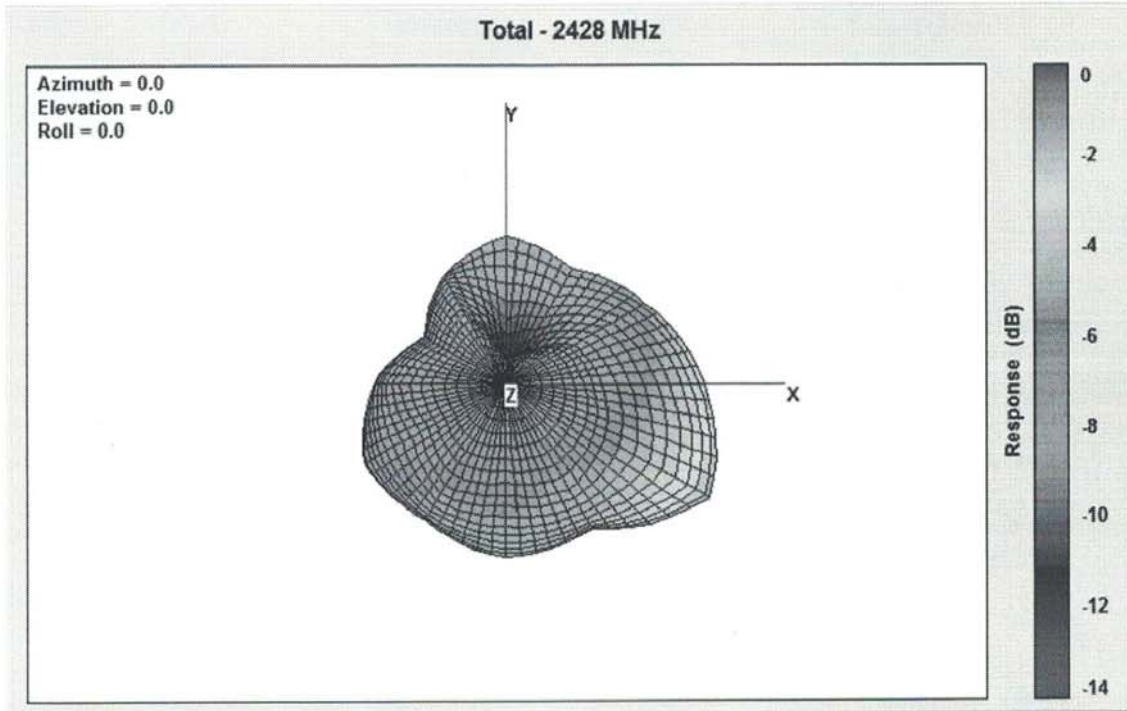
天智公司



Appendix C: 3D Pattern Plots

EUT No. 2023-0040-0002





***** END OF REPORT *****