

版本	修改内容	修改日期
R01/00		

单张纸(风琴式折叠)


虚线为折线

PISEN 140W氮化镓MagStation磁吸无线充电器(KF27)(美规)_说明书

成品尺寸:65*104mm 展开尺寸:585*104mm,材质:128G双铜纸, 双面印刷,1C,风琴折

绝密

封面



140W Mega Charging Hub

User Manual

Thank you for purchasing the PISEN 140W all in one Charger. Please read this instruction carefully before use to ensure safety and a satisfactory experience. Please keep this instruction properly for future reference. This product is suitable for charging various electronic products such as mobile phones, tablets, laptops, etc.

Technical Specifications

Product name	External Case Socket
Product model	KF27
Input	110V-220V-50/60Hz 15A/16A
Charger Input	110-240V-50/60Hz 15A/16A

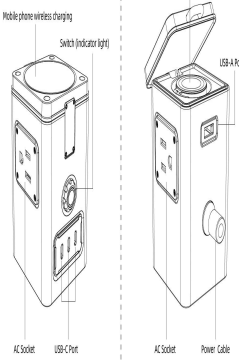
Max Wireless Charge Type

Qi	iPhone 15/14/13/12/11/10/9/8/7/6/5/4/3/2/1/XR/XS/Max/Mini/SE/2020/2021/2022/2023
Qi2	iPhone 15/14/13/12/11/10/9/8/7/6/5/4/3/2/1/XR/XS/Max/Mini/SE/2020/2021/2022/2023
Qi3	iPhone 15/14/13/12/11/10/9/8/7/6/5/4/3/2/1/XR/XS/Max/Mini/SE/2020/2021/2022/2023
Qi4	iPhone 15/14/13/12/11/10/9/8/7/6/5/4/3/2/1/XR/XS/Max/Mini/SE/2020/2021/2022/2023
Qi5	iPhone 15/14/13/12/11/10/9/8/7/6/5/4/3/2/1/XR/XS/Max/Mini/SE/2020/2021/2022/2023
Qi6	iPhone 15/14/13/12/11/10/9/8/7/6/5/4/3/2/1/XR/XS/Max/Mini/SE/2020/2021/2022/2023
Qi7	iPhone 15/14/13/12/11/10/9/8/7/6/5/4/3/2/1/XR/XS/Max/Mini/SE/2020/2021/2022/2023
Qi8	iPhone 15/14/13/12/11/10/9/8/7/6/5/4/3/2/1/XR/XS/Max/Mini/SE/2020/2021/2022/2023
Qi9	iPhone 15/14/13/12/11/10/9/8/7/6/5/4/3/2/1/XR/XS/Max/Mini/SE/2020/2021/2022/2023
Qi10	iPhone 15/14/13/12/11/10/9/8/7/6/5/4/3/2/1/XR/XS/Max/Mini/SE/2020/2021/2022/2023
Qi11	iPhone 15/14/13/12/11/10/9/8/7/6/5/4/3/2/1/XR/XS/Max/Mini/SE/2020/2021/2022/2023
Qi12	iPhone 15/14/13/12/11/10/9/8/7/6/5/4/3/2/1/XR/XS/Max/Mini/SE/2020/2021/2022/2023
Qi13	iPhone 15/14/13/12/11/10/9/8/7/6/5/4/3/2/1/XR/XS/Max/Mini/SE/2020/2021/2022/2023
Qi14	iPhone 15/14/13/12/11/10/9/8/7/6/5/4/3/2/1/XR/XS/Max/Mini/SE/2020/2021/2022/2023
Qi15	iPhone 15/14/13/12/11/10/9/8/7/6/5/4/3/2/1/XR/XS/Max/Mini/SE/2020/2021/2022/2023
Qi16	iPhone 15/14/13/12/11/10/9/8/7/6/5/4/3/2/1/XR/XS/Max/Mini/SE/2020/2021/2022/2023
Qi17	iPhone 15/14/13/12/11/10/9/8/7/6/5/4/3/2/1/XR/XS/Max/Mini/SE/2020/2021/2022/2023
Qi18	iPhone 15/14/13/12/11/10/9/8/7/6/5/4/3/2/1/XR/XS/Max/Mini/SE/2020/2021/2022/2023
Qi19	iPhone 15/14/13/12/11/10/9/8/7/6/5/4/3/2/1/XR/XS/Max/Mini/SE/2020/2021/2022/2023
Qi20	iPhone 15/14/13/12/11/10/9/8/7/6/5/4/3/2/1/XR/XS/Max/Mini/SE/2020/2021/2022/2023
Qi21	iPhone 15/14/13/12/11/10/9/8/7/6/5/4/3/2/1/XR/XS/Max/Mini/SE/2020/2021/2022/2023
Qi22	iPhone 15/14/13/12/11/10/9/8/7/6/5/4/3/2/1/XR/XS/Max/Mini/SE/2020/2021/2022/2023
Qi23	iPhone 15/14/13/12/11/10/9/8/7/6/5/4/3/2/1/XR/XS/Max/Mini/SE/2020/2021/2022/2023
Qi24	iPhone 15/14/13/12/11/10/9/8/7/6/5/4/3/2/1/XR/XS/Max/Mini/SE/2020/2021/2022/2023
Qi25	iPhone 15/14/13/12/11/10/9/8/7/6/5/4/3/2/1/XR/XS/Max/Mini/SE/2020/2021/2022/2023
Qi26	iPhone 15/14/13/12/11/10/9/8/7/6/5/4/3/2/1/XR/XS/Max/Mini/SE/2020/2021/2022/2023
Qi27	iPhone 15/14/13/12/11/10/9/8/7/6/5/4/3/2/1/XR/XS/Max/Mini/SE/2020/2021/2022/2023
Qi28	iPhone 15/14/13/12/11/10/9/8/7/6/5/4/3/2/1/XR/XS/Max/Mini/SE/2020/2021/2022/2023
Qi29	iPhone 15/14/13/12/11/10/9/8/7/6/5/4/3/2/1/XR/XS/Max/Mini/SE/2020/2021/2022/2023
Qi30	iPhone 15/14/13/12/11/10/9/8/7/6/5/4/3/2/1/XR/XS/Max/Mini/SE/2020/2021/2022/2023
Qi31	iPhone 15/14/13/12/11/10/9/8/7/6/5/4/3/2/1/XR/XS/Max/Mini/SE/2020/2021/2022/2023
Qi32	iPhone 15/14/13/12/11/10/9/8/7/6/5/4/3/2/1/XR/XS/Max/Mini/SE/2020/2021/2022/2023
Qi33	iPhone 15/14/13/12/11/10/9/8/7/6/5/4/3/2/1/XR/XS/Max/Mini/SE/2020/2021/2022/2023
Qi34	iPhone 15/14/13/12/11/10/9/8/7/6/5/4/3/2/1/XR/XS/Max/Mini/SE/2020/2021/2022/2023
Qi35	iPhone 15/14/13/12/11/10/9/8/7/6/5/4/3/2/1/XR/XS/Max/Mini/SE/2020/2021/2022/2023
Qi36	iPhone 15/14/13/12/11/10/9/8/7/6/5/4/3/2/1/XR/XS/Max/Mini/SE/2020/2021/2022/2023
Qi37	iPhone 15/14/13/12/11/10/9/8/7/6/5/4/3/2/1/XR/XS/Max/Mini/SE/2020/2021/2022/2023
Qi38	iPhone 15/14/13/12/11/10/9/8/7/6/5/4/3/2/1/XR/XS/Max/Mini/SE/2020/2021/2022/2023
Qi39	iPhone 15/14/13/12/11/10/9/8/7/6/5/4/3/2/1/XR/XS/Max/Mini/SE/2020/2021/2022/2023
Qi40	iPhone 15/14/13/12/11/10/9/8/7/6/5/4/3/2/1/XR/XS/Max/Mini/SE/2020/2021/2022/2023
Qi41	iPhone 15/14/13/12/11/10/9/8/7/6/5/4/3/2/1/XR/XS/Max/Mini/SE/2020/2021/2022/2023
Qi42	iPhone 15/14/13/12/11/10/9/8/7/6/5/4/3/2/1/XR/XS/Max/Mini/SE/2020/2021/2022/2023
Qi43	iPhone 15/14/13/12/11/10/9/8/7/6/5/4/3/2/1/XR/XS/Max/Mini/SE/2020/2021/2022/2023
Qi44	iPhone 15/14/13/12/11/10/9/8/7/6/5/4/3/2/1/XR/XS/Max/Mini/SE/2020/2021/2022/2023
Qi45	iPhone 15/14/13/12/11/10/9/8/7/6/5/4/3/2/1/XR/XS/Max/Mini/SE/2020/2021/2022/2023
Qi46	iPhone 15/14/13/12/11/10/9/8/7/6/5/4/3/2/1/XR/XS/Max/Mini/SE/2020/2021/2022/2023
Qi47	iPhone 15/14/13/12/11/10/9/8/7/6/5/4/3/2/1/XR/XS/Max/Mini/SE/2020/2021/2022/2023
Qi48	iPhone 15/14/13/12/11/10/9/8/7/6/5/4/3/2/1/XR/XS/Max/Mini/SE/2020/2021/2022/2023
Qi49	iPhone 15/14/13/12/11/10/9/8/7/6/5/4/3/2/1/XR/XS/Max/Mini/SE/2020/2021/2022/2023
Qi50	iPhone 15/14/13/12/11/10/9/8/7/6/5/4/3/2/1/XR/XS/Max/Mini/SE/2020/2021/2022/2023

Maximum power	140W Max
Maximum wireless charging	15W Max
Size	77*77*115.5mm
Cable length	1.2m
Weight	About 85g
Operating temperature	0°C-40°C

Note:
When the product operates continuously at 140W for more than half an hour, the output power will be reduced to 100W to protect the equipment, and it will recover after the temperature is normal.

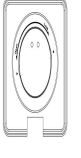
Product Diagram



Operating Instructions

- Product startup and shutdown**
(1)The product comes with three USB-C ports and one USB-A port, all of which support power supply for various digital products, such as mobile phones, tablets, laptops, smart wearable devices, etc.
(2)When the safety switch is closed, the product can be turned on; after the working state, and the indicator light will be on; Press the safety switch again to shut down the product and turn off the indicator light.
- Use the USB port to charge the device
(1)The product comes with three USB-C ports and one USB-A port, all of which support power supply for various digital products, such as mobile phones, tablets, laptops, smart wearable devices, etc.
(2)When the socket is turned on, connect the charging cable (USB-C or USB-A) of your phone or other device to the socket, and then connect the other end to the device to start charging.
- Use of mobile phone wireless charging
(1)The product comes with a foldable magnetic wireless charger that supports iPhone magnetic wireless charging and other products that support wireless charging such as phones and headsets.
(2)When the socket is turned on, align the phone with the wireless charger at the top of the socket and place it in the charging area to fit and start charging (only models after iPhone 12 support magnetic suction function, other phones need to be used with magnet, phone cases).

5. Use of watch wireless charging
(1)When the socket is turned on, open the top wireless charger to see the watch wireless charger designed for charging the watch. Place the watch wireless charger at the top of the socket and press the safety switch-out of the charger power-turn off the indicator light.
(2)Press the safety switch-connect the electrical appliances to the power supply-and in the case of low power charging (earphones, watches), the indicator light goes and breathing flashes (output voltage is 5V).
(3)Press the safety switch-connect the electrical appliances to the power-and in the case of fast charging (mobile phone, tablet), the indicator light flashes purple (voltage is 9V/15V).
(4)Press the safety switch-connect the electrical appliances to the power-and when charging at high speed (laptop), the indicator light shows yellow breathing flashing (voltage is 20V).
(5)Press the safety switch-out-the wireless protection! When foreign objects come into contact with the wireless charger, the indicator light flashes quickly.



Description of Status Lamp

- Press the safety switch-connect the charge to the power-in the case of no charging (standby), the indicator light remains on (Red light effect).
- When power-on-press the safety switch-out of the charger power-turn off the indicator light.
- Press the safety switch-connect the electrical appliances to the power supply-and in the case of low power charging (earphones, watches), the indicator light goes and breathing flashes (output voltage is 5V).
- Press the safety switch-connect the electrical appliances to the power-and in the case of fast charging (mobile phone, tablet), the indicator light flashes purple (voltage is 9V/15V).
- Press the safety switch-connect the electrical appliances to the power-and when charging at high speed (laptop), the indicator light shows yellow breathing flashing (voltage is 20V).
- Press the safety switch-out-the wireless protection! When foreign objects come into contact with the wireless charger, the indicator light flashes quickly.

Matters Needing Attention

- *Do not use this product on carpets, heaters, radiators or in direct sunlight.
- *Do not touch, squeeze, or puncture this product, otherwise it may cause damage to the product.
- *Do not place the product in a hot or humid environment.
- *This product is not waterproof, do not put into the water and contact with corrosive liquids.
- *The product will heat up during use. This is a normal phenomenon, do not cover the product.
- *This product is only applicable to mobile phones, computers, tablets, watches and other smart terminal devices charging and conventional household appliances, do not use other smart devices.
- *Do not plug and unplug with wet hands to avoid electric shock.
- *Do not assemble, modify and repair this product by yourself. In case of failure, should be transferred to the designated repair point.
- *In case of abnormal heat, abnormal sound and other phenomena during use, please stop using immediately and send to the maintenance point.
- *If not used for a long time, keep it in a dry and cool place to avoid mold.
- *This product is not intended for use by children or persons with depressive physical and mental functions. Keep out of reach of children.

CAUTION: Contains Always-On-Resistors. To reduce the risk of electric shock-Disconnect power supply from power source before sending any equipment connected to the power supply.
Attention: content toujours sur des dispositifs.
Pour réduire le risque de choc électrostatique, déconnectez le produit de la source d'alimentation avant l'envoi de tout équipement connecté à la bande d'alimentation.
CAUTION: Risk of Electric Shock. Do not plug into another electrical power tap or an extension cord.
Attention: risque de choc électrique. Ne branchez pas à un autre réseau d'alimentation réalisable ou à un rallonge.

FCC Declaration

This device complies with Part 15 of the FCC Rules. Operation is subject to the following two conditions: (1) This device may not cause harmful interference, and (2) This device must accept any interference received, including interference that may cause undesired operation.
Warning: Changes or modifications to this unit not expressly approved by the party responsible for compliance could void the user's authority to operate the equipment.
NOTE: This equipment has been tested and found to comply with the limits for a Class B digital device, pursuant to Part 15 of the FCC Rules. These limits are designed to provide reasonable protection against harmful interference in a residential installation. This equipment generates, uses and can radiate radio frequency energy and, if not installed and used in accordance with the instructions, may cause harmful interference to radio communications; however, there is no guarantee that interference will not occur in a particular installation. This equipment does cause harmful interference to radio or television reception which can be determined by turning the equipment off on. If this is encouraged by you to correct the interference by one or more of the following measures:

IC Declaration

- *Reorient or relocate the receiving antenna.
- *Increase the separation between the equipment and receiver.
- *Connect the equipment into an outlet on a circuit different from that to which the receiver is connected.
- *Consult the dealer or an experienced radio/TV technician for help.

The device must not be co-located or operating in conjunction with any other antenna or transmitter.
RF Exposure: This equipment complies with FCC radiation exposure limits set forth for an uncontrolled environment. This equipment should be installed and operated with minimum distance 20 cm between the radiator and your body.
This transmitter must not be co-located or operating in conjunction with any other antenna or transmitter.

IC Declaration

This device complies with Industry Canada license-exempt RSS standard(s).
Operation is subject to the following two conditions:
(1) This device may not cause interference, and
(2) This device must accept any interference, including interference that may cause undesired operation of the device.
Le présent appareil est conforme aux CNR d'Industrie Canada applicables aux appareils radio exempts de licence. L'exploitation est autorisée aux deux conditions suivantes:
(1) L'appareil ne doit pas produire de brouillage, et
(2) l'utilisateur de l'appareil doit accepter tout brouillage radioélectrique subi, même si le brouillage est susceptible d'en compromettre le fonctionnement.
The device is compliant with RF field strength limits, users can obtain Canada's information on RF exposure and compliance by visiting the website: <https://www.ic.gc.ca/eic/site/cma-ccm.nsf/eng/09022.html>
Ce présent appareil est conforme aux normes de la classe B et est conforme à la norme NMB-003 du Canada.
CAN ICES-003 (B) NMB-003(B)

RCS-102 Statement
This product complies with IC RSS-102 radiation exposure limits set forth for an uncontrolled environment. This equipment should be installed and operated with minimum distance 20cm between the radiator and your body.
Cet équipement est conforme aux limites d'exposition aux rayonnements IC RSS-102 établies pour un environnement non contrôlé. Cet équipement doit être installé et utilisé avec une distance minimale de 20 cm entre le radiateur et votre corps.

UL62368-1 Warning
The fire enclosures are required for the connected equipment behind USB type-C ports.

PISEN The brand belongs to GUANGDONG PISEN ELECTRONICS CO.,LTD.
For FAQs and more help information please visit: <https://lenipisen.com>
Contact support@lenipisen.com



设计	杨平	日期	2024-05-16	材料		成品规格	50*80mm	物料编码		物料名称:	PISEN PRO 140W氮化镓MagStation磁吸无线充电器(KF27)(美规)_说明书
审核	唐粒书	日期	2024-05-16	工艺		单位	mm				
批准	卢松	日期	2024-05-16	比例	1:1	公差	±0.5mm				
									1.6.7.07.01.00.126	品胜股份 PISEN SHARES	产品中心