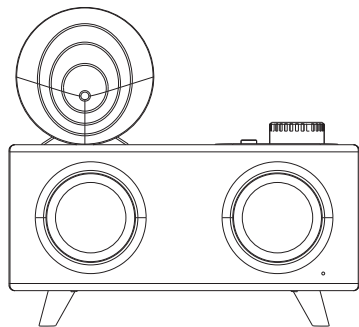


User's Manual



Foreword

Thank you for purchasing and using our products. In order to let you operate this machine as quickly as possible, please read this booklet carefully before you start using it.

This machine is a stylish and portable wireless speaker. This machine supports wireless protocol. It supports smart phones, tablets, and notebooks. It is a device that waits for wireless audio functions. It allows you to completely get rid of wireless shackles and enjoy music without any restrictions. It also supports TF card, U disk and Bluetooth-free mobile phone, laptop, mp3, mp4 and other audio input playback.

Precautions

- Do not hit the main unit seriously.
- Do not touch benzene, thinner lamp chemicals.
- Please do not use near strong magnetic fields and electric fields.
- Please avoid direct light spot heating appliances.
- Do not disassemble, repair or modify it yourself.
- Do not clean the unit with water. Use a slightly damp cloth to cut the surface of the unit.
- When using low voltage, the sound may be distorted and please charge it in time. Please disconnect the power when not in use for a long time.

* **Power on:** Press and hold the "M/⊕" key for 3 seconds, you will hear the power on prompt sound, and enter the standby state.

Shutdown: Press and hold the "M/⊕" key for 3 seconds, and the machine will be turned off when you hear the shutdown prompt tone.

Mode switch: After power on, press "M/⊕" to switch between radio mode, BT mode and input mode.

(Note: If it is not used for 15 minutes, it will automatically shut down.)

一. BT MODE

1. After power on, it will automatically enter the BT mode (when the antenna is not plugged in), the blue light flashes quickly, and the BT mode is entered.

(Note: When the antenna is plugged in, will enter input mode or FM mode, and you must press the "M/⊕" key to switch to the BT mode to connect to the C.)

2. Pairing: Turn on the BT of the mobile phone (or other devices), search for the "B6" BT name, and use it after the connection is successful.

3. Support BT hands-free calling function. During a BT call, tap "▶||" to answer the call/hang up the call, long press to reject the call, and double click to redial the previous call.

二. TF card U disk mode

1. In the boot mode, insert the TF card or U disk to automatically enter the TF card or U disk to play.

2. During the playback, the indicator light flashes slowly, and the blue light is paused.

三. Audio input mode

Insert the connecting line in the power-on state, and the other end is the output of other audio equipment, and it will automatically enter the line in audio input mode.

四. FM mode

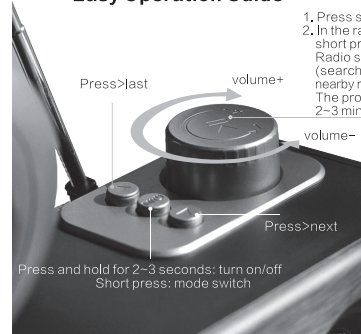
- Long press the "M/⊕" key to switch to FM radio mode.
- After entering the FM radio mode, press "▶||" to enter the search position. The blue indicator light flashes rapidly at this time.
- After the search is completed, short press the "◀|▶" key to switch the selected radio station.

五. Charging

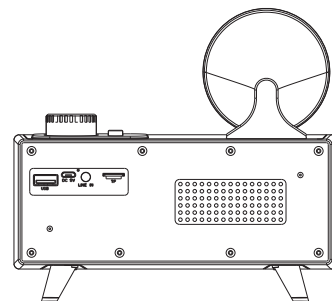
- Plug the USB cable into the speaker to connect to the 5V charger or computer to charge the speaker's internal battery.
- When charging, the "Charging" indicator lights up red, and when it is full, the red light is off.

六. The power-on volume of all the modes in this mode defaults to 60% of the total volume. When the battery voltage is lower than 3.2V, the speaker will automatically detect and emit a low-power alarm sound. When the battery voltage is lower than 3.0V, the speaker will sound and automatically shut down.

Easy Operation Guide



- Press start/pause
- In the radio state, short press to enter Radio search status (search and Save all nearby radio channels, The process takes 2-3 minutes)



Back

七. Button function list

NO.	Button name	MODE			
		BT	TF/U-disk	Line in	FM
1	▶	HOLD: mode switch Press: play/pause Calling: Press: answer/hang up Hold: refuse double-click/redial the tail number	HOLD: mode switch Press: play/pause	HOLD: mode switch Press: play/pause	HOLD: mode switch Press: Automatic search.
2	◀	Press>last	Press>last		Press>last FM
3	▶	Press>next	Press>next		Press>next FM



Note:

Turn the rotary button clockwise to turn it on "–" / "+" to adjust the volume.

八. Technical specifications

- BT version: version 5.3
- Output: BT TF U disk AUX output
- Charging source interface: MIRCO interface
- Rated power: 3Ω, 5W
- Speaker power: 5W X 2
- Frequency response: 150Hz – 20KHz
- Noise ratio: 80dB
- BT transmission distance: 10 meters or more (accessible)
- Power input: DC 5V, 1800 MA



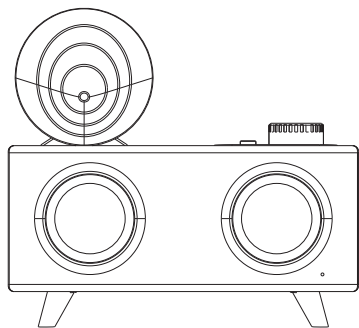
Part name	Toxic or hazardous substance or element					
	Lead (pb)	mercury (Hg)	cadmium (Cd)	hexavalent chromium (Cr(VI))	Polybrominated biphenyl (PBB)	Polybrominated diphenyl ether (PBDE)
Circuit Board	x	o	o	o	o	o
Battery	x	o	o	o	o	o
Plastic	o	o	o	o	o	o

o: Indicates that the content of this toxic and hazardous substance in all homogeneous materials of this part is below the limit requirement specified in SJ/T 11363-2006.

x: Indicates that the content of the toxic and harmful substance in at least one of the homogeneous materials of the part exceeds the Lenovo requirement specified in SJ/T 11363-2006: the part marked with "X" in the above table cannot be replaced due to technical reasons, and the subsequent step will gradually Covered.

Thank you for using!

用户手册



前言

感谢您购买和使用我们的产品。为了让你尽快操作本机，请阅读本手册开始使用前请仔细。

本机是一款时尚便携的无线音箱。这台机器支持无线协议。它支持智能手机、平板电脑和笔记本。它是一种等待无线音频功能的设备。它可以让你彻底摆脱无线束缚，尽情享受音乐乐趣。还支持TF卡、U盘和免蓝牙耳机手机、笔记本、mp3、mp4等音频输入播放。

预防措施

- 请勿严重撞击主机。
- 请勿接触苯、稀释剂灯化学品。
- 请不要在强磁场和电场附近使用。
- 请避免直接光点加热电器。
- 请勿自行拆卸、修理或改装。
- 请勿用水清洁本机。用微湿的布剪开单元的表面。
- 使用低电压时，声音可能会失真，请充电它及时。长时间不使用时请断开电源。

* 开机：长按“M/⊕”键3秒，听到开机提示音，进入待机状态。

关机：长按“M/⊕”键3秒，听到关机提示音，机器关闭。

模式切换：开机后，按“M/⊕”可进行收音模式和蓝牙模式以及输入模式切换（备注：待机15分钟不使用，会自动关机。）

一. 蓝牙模式

1. 开机后，自动进入蓝牙模式（不插天线状态下），蓝灯闪烁很快，进入蓝牙模式。（备注：插天线的状态下，会进入输入模式或者FM模式，须按“M/⊕”键切换到蓝牙模式，才能进行蓝牙连接），三连击开关机键互切换中英文语音提示声。
2. 配对：打开手机（或其他设备端）蓝牙，搜索“B6”蓝牙名，连接成功后便可使用。
3. 支持蓝牙免提通话功能。蓝牙通话时，点击“▶||”可以接听来电/挂断通话，长按拒接来电，双击重拨上一个呼叫。

二. TF卡U盘模式

1. 在开机模式下，插入TF卡或U盘自动进入TF卡或U盘播放。
2. 播放过程中指示灯慢闪，蓝灯亮被暂停。

三. 音频输入方式

开机状态下插入连接线，另一端为插入其他音频设备的输出，并自动进入音频输入模式下的线路。

四. 收音模式（注：插上天线，收音效果更好）

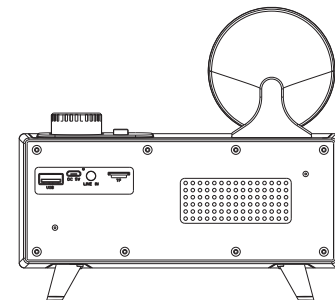
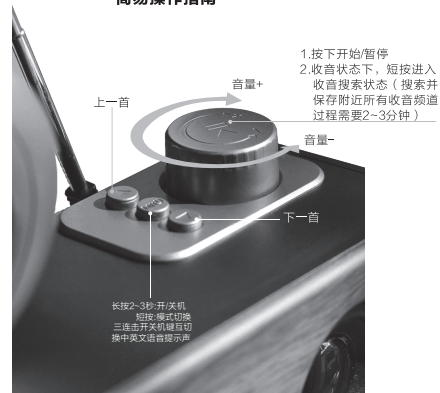
- 1、长按“M/⊕”键模式切换到调频收音机模式。
- 2、进入调频收音模式后，按“▶||”进入搜索位置。此时蓝色指示灯快速闪烁。
- 3、搜索完成后，短按“◀/▶”键切换选择收音台。

五. 充电

- 1、将 USB 数据线插入扬声器以连接至 5V 充电器或电脑为扬声器的内置电池充电。
- 2、充电时，“充电”指示灯红灯亮，充电满了红灯灭了。

六. 该模式下所有模式开机音量默认为60%的总体积。当电池电压低于3.2V时，扬声器会自动检测并发出低功率报警声。当电池电压低于3.0V时，扬声器会发出声音并自动关团。

简易操作指南



背面

七. 按键功能表

型号	按键名称	模式			
		蓝牙	TF/U盘	线路	调频
1	▶	长按:模式切换 短按:播放/暂停 来电: 短按:接听/挂断 长按:双击拒听 click:重拨	长按:模式切换 短按:播放/暂停	长按:模式切换 短按:播放/暂停	长按:模式切换 短按:播放/暂停
2	◀	按>最后一次	按>最后一次		按>上次调频
3	▶	按>下一次	按>下一次		按>下次调频



注意:

顺时针转动旋钮将其打开“-”/“+”以调整音量。

八. 技术规范

- 1、蓝牙版本：5.3版本
- 2、输出：BT TF U盘AUX输出
- 3、充电源接口：MIRCO接口
- 4、额定功率：3Ω，5W
- 5、喇叭功率：5W X 2
- 6、频率响应：150Hz - 20KHz
- 7、噪声比：80dB
- 8、BT传输距离：10米以上（可达）
- 9、电源输入：DC 5V, 1800 MA

锂电池注意事项

- 切勿严重撞击本机!
- 切勿接触苯、稀释剂等化学品!
- 切勿在强磁场和电场附近使用!
- 切勿让产品浸入水中，或用水冲洗!
- 切勿将产品投入火中，或长时间暴露
- 在高温环境中!
- 切勿自行拆卸、修理或改装!



部分名称	有毒或有害物质或元素					
	铅 (pb)	汞 (Hg)	镉 (Cd)	六价铬 (Cr(VI))	多溴化联苯 (PBB)	多溴化联苯醚 (PBDE)
电路板	X	○	○	○	○	○
电池	X	○	○	○	○	○
塑料	○	○	○	○	○	○
○ 表示该有毒有害物质在所有该部件的均质材料低于限值要求 SJ/T 11363-2006 规定						
x 表示有毒有害物质的含量至少在零件的均质材料之一超过联想 SJ/T 11363-2006规定的要求；标有“X”的部分上表中因技术原因不能 更换，以及后续步骤将逐渐覆盖。						

感谢您使用!

FCC Warning:

This equipment has been tested and found to comply with the limits for a Class B digital device, pursuant to part 15 of the FCC Rules. These limits are designed to provide reasonable protection against harmful interference in a residential installation. This equipment generates, uses and can radiate radio frequency energy and, if not installed and used in accordance with the instructions, may cause harmful interference to radio communications. However, there is no guarantee that interference will not occur in a particular installation. If this equipment does cause harmful interference to radio or television reception, which can be determined by turning the equipment off and on, the user is encouraged to try to correct the interference by one or more of the following measures:

- Reorient or relocate the receiving antenna.
- Increase the separation between the equipment and receiver.
- Connect the equipment into an outlet on a circuit different from that to which the receiver is connected.
- Consult the dealer or an experienced radio/TV technician for help.

Caution: Any changes or modifications to this device not explicitly approved by manufacturer could void your authority to operate this equipment.

This device complies with part 15 of the FCC Rules. Operation is subject to the following two conditions:

(1) This device may not cause harmful interference, and (2) this device must accept any interference received, including interference that may cause undesired operation.

This equipment complies with FCC radiation exposure limits set forth for an uncontrolled environment. This equipment should be installed and operated with minimum distance 0cm between the radiator and your body.