

Shenzhen Future Miracle Artificial Intelligence Technology Co., Ltd

Antenna Specification for Approval

客户名称

Customer Name: _____

产品名称: _

Product Name: 2.4G Antenna

客户型号:

Product Name: _____

产品料号:

Part NO.: C113H-11125-90

制表:

Write By: Xiao Yunlian

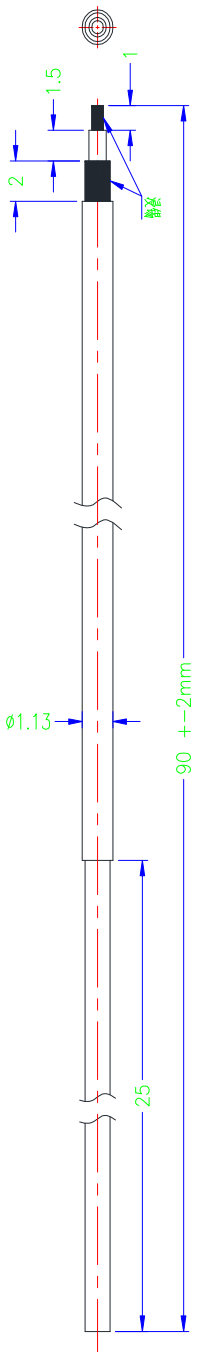
日期:

Issued Date: 2023-9-19

| 工程R&E Dept | 采购Business Dept | 承认 Approved By |
|------------|-----------------|----------------|
| | | |

| 研发R&D Dept | 工程 Engineer Dept | 审核 Approval |
|------------|------------------|-------------|
| | | |

| | | | | |
|----|----|------|----|----|
| 标记 | 次数 | 更改内容 | 签字 | 日期 |
| | | | | |
| | | | | |
| | | | | |



东莞市利信威电子有限公司

| | | | | | | | | | | | |
|------------|----------------|----------|---------|---------|---------------|----------|---------|----------|------------|------|--------|
| PART TITLE | 天线 | MATERIAL | 材料: --- | UNIT IN | 单位: mm | SCALE | 比例: 5:1 | SUPPLIER | 供应商名称: CFM | VER. | 版本: 01 |
| PART NO. | C113H-11125-90 | DRWING | 制图: 文全 | DATE | 日期: 2018/0603 | CHECKING | 审核: | | | | |
| 零件编号: | C113H-11125-90 | 制图: | 文全 | 日期: | 2018/0603 | 审核: | | | | | |

- 要求:
1. 标注公差为重要尺寸, 未标注公差按按 ± 0.15 .

Product Specification

A. Electrical Characteristics

Frequency 2402MHz-2480MHz

VSWR <3.0

Efficiency >38%

Impedance 50 Ohm

Polarization I ine

Gain 1DBi

B. Material & Mechanical Characteristics

Material of Radiator Cu

Cable Type 1.13

Connector Type : NO

Dimension

C. Environmental

Operation Temperature - 30 °C ~ + 80 °C

Storage Temperature - 30 °C ~ + 85 °C

Test Equipment & Conditions

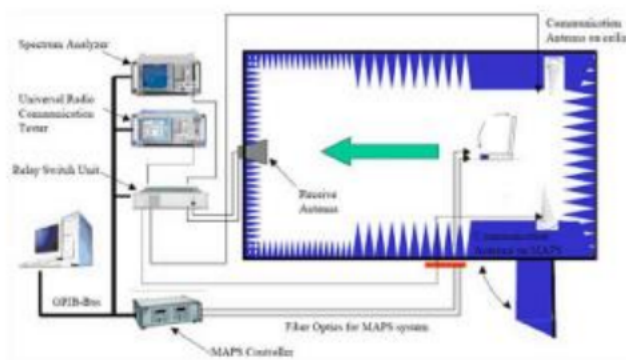
1. Network Analyzers :

Agilent 8753D 5071B

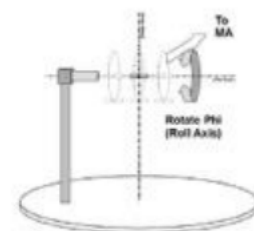
2. Communications Test Set:

Agilent E5515C

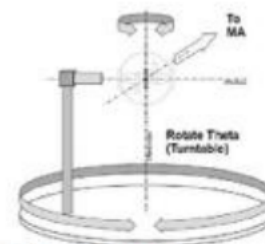
3. 3D Chamber Test System



(Testing by 3D anechoic chamber)



Phi axis test



Theta axis test

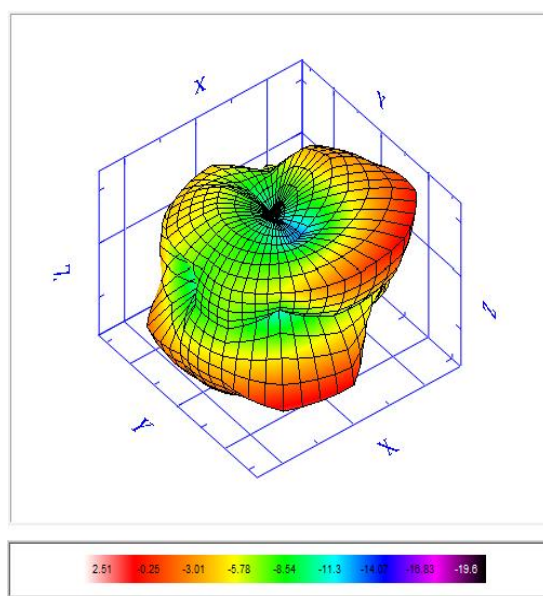
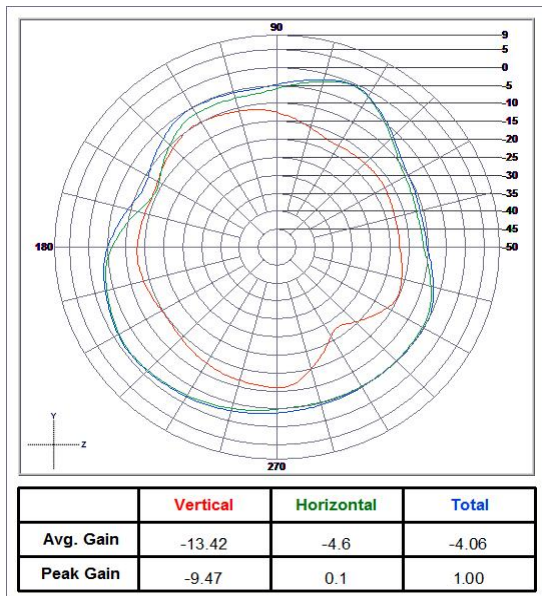
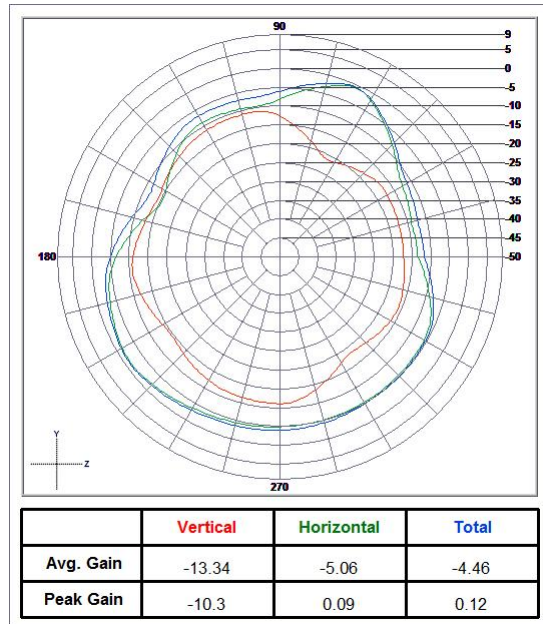
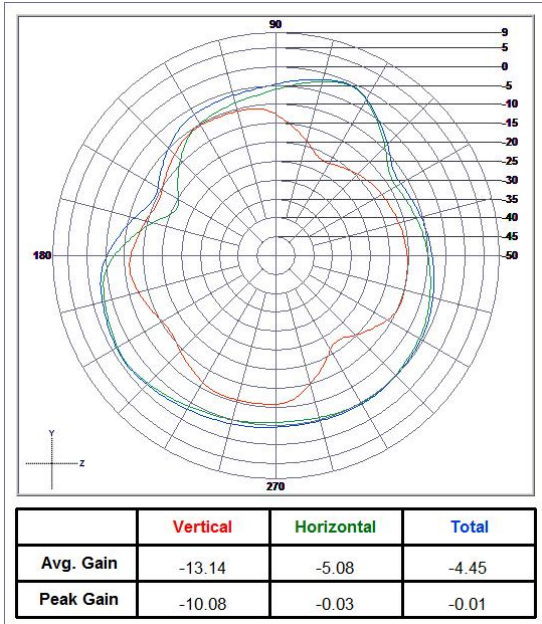
Efficiency & Gain

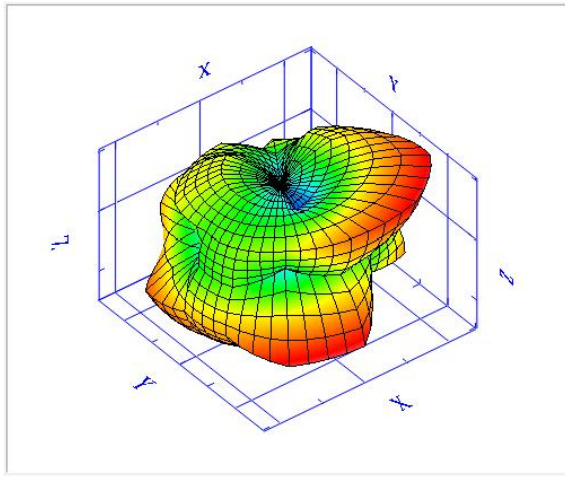
2.40 -0.01

2.440 0.12

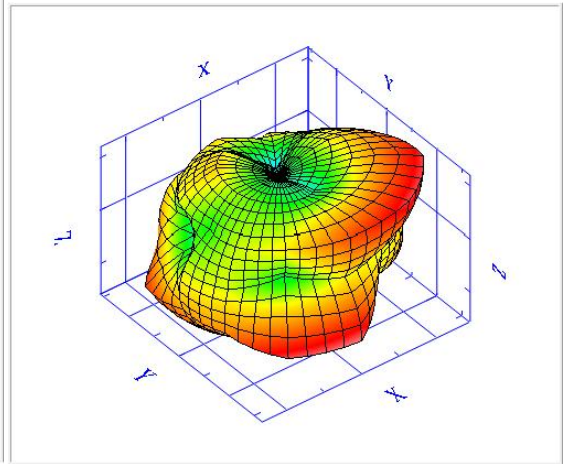
2.48 1.00

Radiation Pattern:





2.12 -0.3 -2.73 -6.16 -10.01 -12.41 -14.82 -17.29



1.98 -0.56 -3.14 -5.7 -8.26 -10.81 -13.37 -15.93 -18.49