



# 东莞市一佳电子通讯科技有限公司

Dongguan YiJia Electronics Communication Technology Co.,Ltd.

## 规格承认书

### SPECIFICATION FOR APPROVAL

日期 Date 2024/05/23

编号 File No 24052301

版本 Revision 1.0

客户  
CUSTOMER:

方位 Fanvil

客户料号  
CUSTOMER NO:

LEADA100055A0

品名  
PART NAME:

WIFI双频 Antenna L=40mm (WIFI dual-band Antenna L 40mm)

供方料号  
SUPPLIER NO:

YJL01.106.066.301A


送样日期Date:

送样数量Q'TY:

#### 客户确认CUSTOMER APPROVED BY

APPROVAL	CHIEF	SUPERVISOR

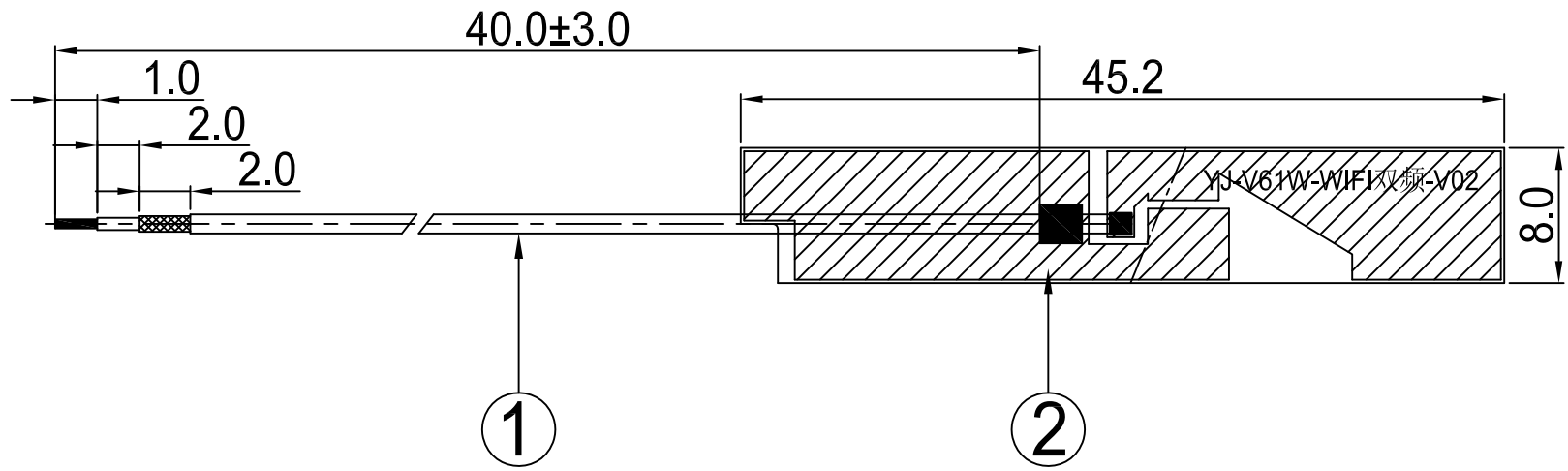
#### 供方确认 SUPPLIER SIGNATURE

APPROVAL	CHECK	DESIGN
 ChenGuoqiang	XieLi	ChenXingyi

YJ-RD-F04-A

**RoHS**  
Compatible

CUSTOMER	
PART NO	



UNITS: mm

2	FPC	45.2*8.0mm	FPC	FPC11XXXA.P01	1
1	Coaxial Cable	O.D.1.13 Black	O.D.1.13	COA100XXA.P01	1
NO	PART NAME	DESCRIPTION	Material	Part Number	Q.TY



# 天线规格

## Antenna Specification

### Electrical Properties

Frequency	2.4-2.5GHz 5.15-5.85GHz
Impedance	50 Ohm Nominal
V.S.W.R	2.0 Max@2.4-2.5GHz 3.0 Max@5.15-5.85GHz
Gain	5.2 dBi@2.4-2.5GHz 4.6 dBi@5.15-5.85GHz
Radiation	Omni-directional
Polarization	Linear

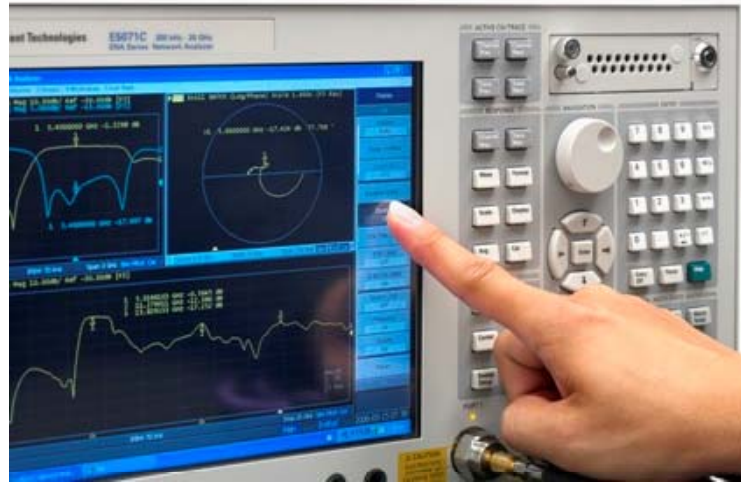
### Physical Properties

Connector	None
Cable Type	O.D.1.13mm
Cable Length	40mm
Cable Color	Black
Operating Temp.	-40 ~ +85 °C
Storage Temp / Humidity	25 ± 5 °C / <70%

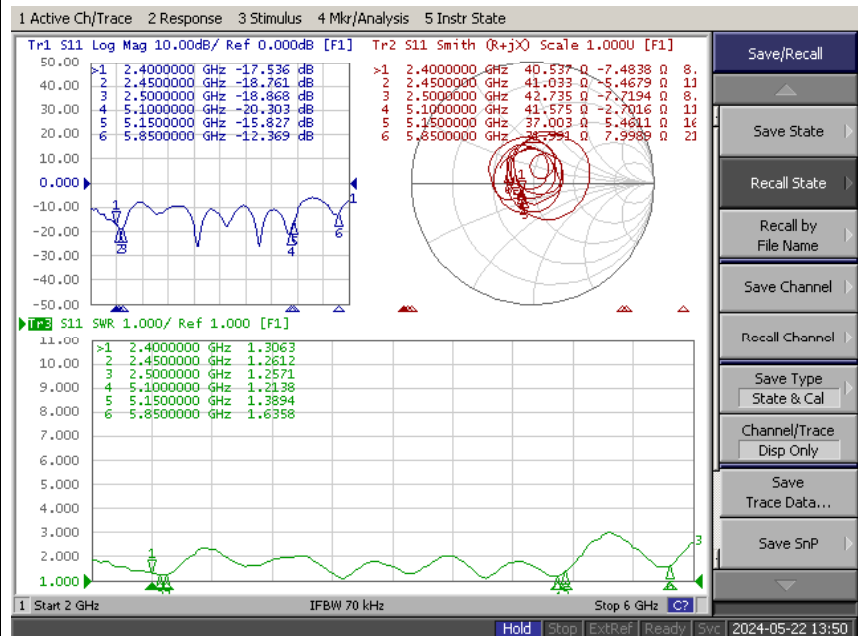


# Antenna Performance Test

**Agilent  
E5071B**

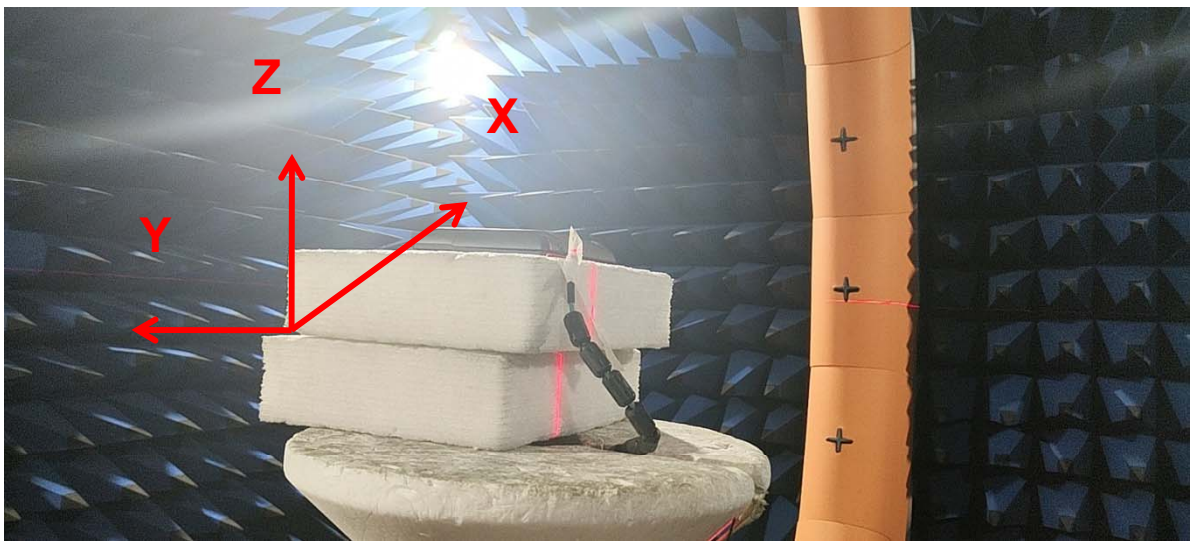


**S  
Parameter  
Test //  
WiFi  
Antenna**





# Antenna Passive Test





### Passive Test For WiFi Antenna(2.4G)

Freq (MHz)	Effi (%)	Effi (dB)	Gain (dBi)
2400	62.9	-2.0	5.0
2410	62.5	-2.0	4.9
2420	61.1	-2.1	4.6
2430	61.8	-2.1	4.4
2440	61.7	-2.1	4.4
2450	65.0	-1.9	4.8
2460	61.7	-2.1	4.6
2470	64.1	-1.9	5.1
2480	63.1	-2.0	4.9
2490	65.6	-1.8	5.2
2500	62.1	-2.1	4.8

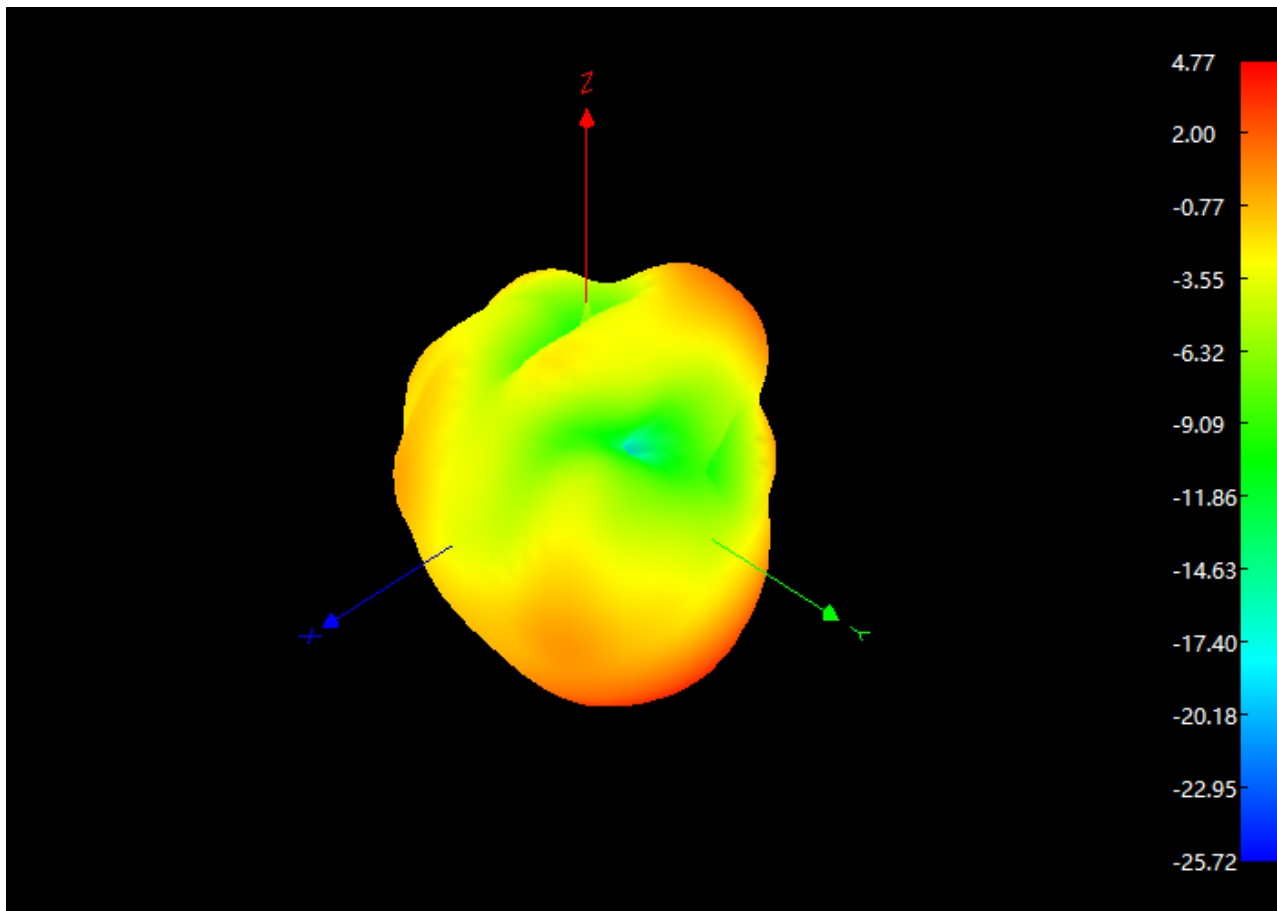


### Passive Test For WiFi Antenna(5.8G)

Freq (MHz)	Effi (%)	Effi (dB)	Gain (dBi)
5150	66.8	-1.8	3.4
5200	62.0	-2.1	4.0
5250	66.4	-1.8	3.7
5300	60.5	-2.2	3.4
5350	58.2	-2.4	3.1
5400	61.1	-2.1	3.5
5450	58.3	-2.3	2.9
5500	50.9	-2.9	2.6
5550	54.3	-2.7	3.0
5600	61.7	-2.1	3.4
5650	53.6	-2.7	3.5
5700	53.2	-2.7	3.3
5750	63.3	-2.0	4.6
5800	61.1	-2.1	4.5
5850	60.1	-2.2	4.5



## Radiation Pattern For WiFi Antenna(2450MHz)







## Radiation Pattern For WiFi Antenna(5150MHz)

