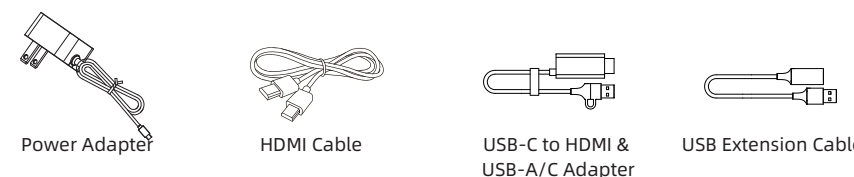
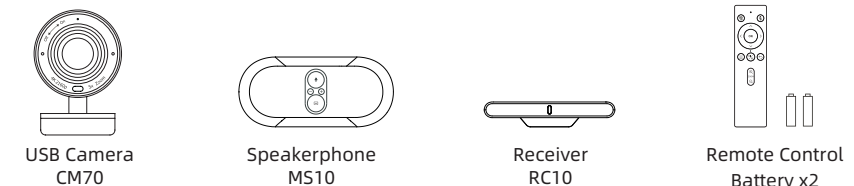


PRODUCT INTRODUCTION

It is a wireless video conferencing solution designed for small meeting rooms. It mainly consists of a wireless screen-throwing omni-directional microphone MS10, a Receiver RC10 and a USB camera CM70, designed to simplify your meetings. With full BYOD support, it allows you to effortlessly connect your laptop to the speakerphone using a single cable. Enjoy 4K wireless screen casting, access to conference camera streaming in 1080P, and the convenience of plug-and-play functionality without the need for software or drivers.

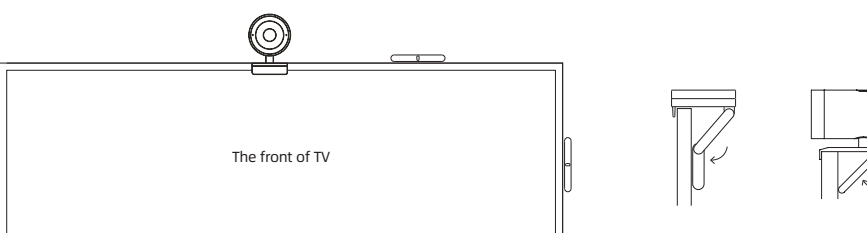
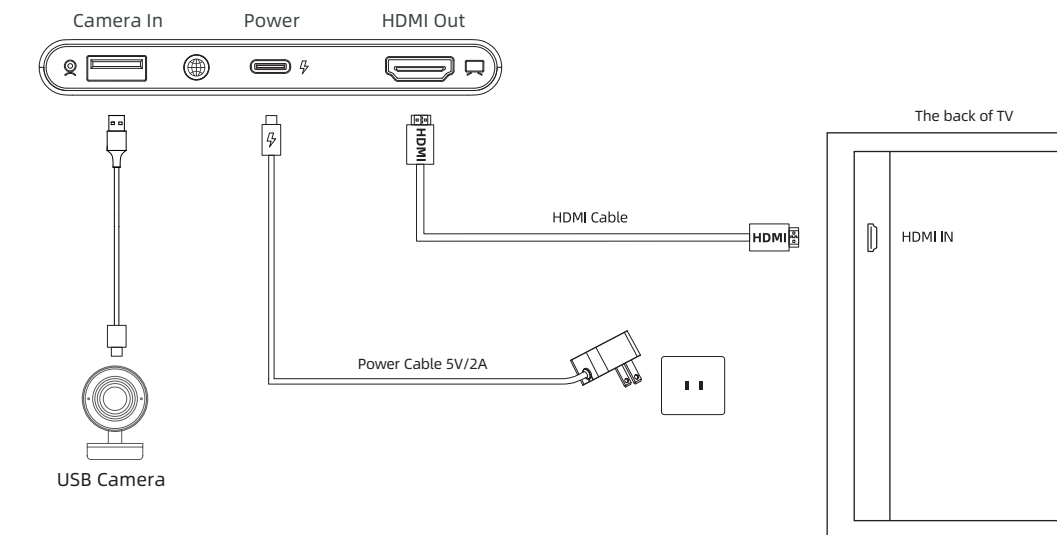
It streamlines your conferencing experience, eliminates cable clutter, and ensures secure and efficient collaboration.

WHAT'S IN THE BOX



HOW TO START

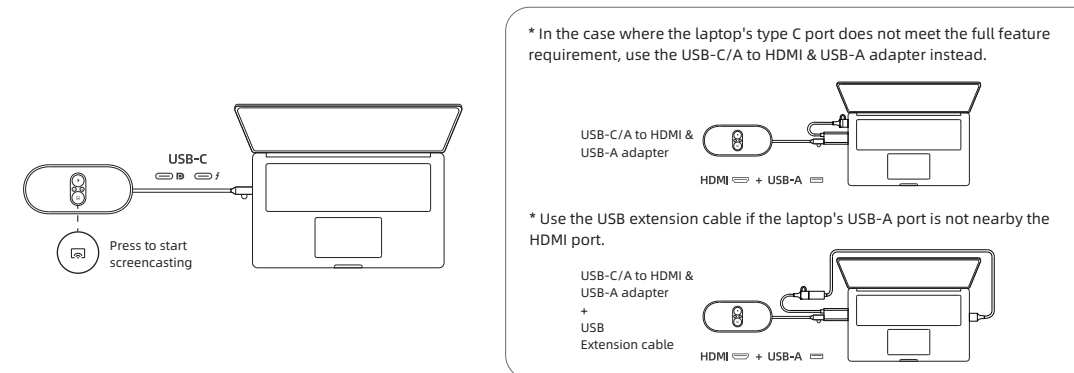
- Plug the 5V/2A power supply into the receiver RC10 and connect it to the HDMI cable of the display.
- To connect the USB camera CM70, plug the camera's USB cable into the USB-A port on the receiver RC10.
- Mount the Receiver RC10 and USB Camera CM70 on the display using the built-in mounting clip. Ensure that the receiver is positioned towards the front side for optimal wireless signal transmission. The optimal wireless transmission range is within 5 meters.



(4) Switch the display output source to the connected HDMI port.



(5) Connect the Speakerphone MS10 to a full-featured Type-C port on your laptop. Wait until the screencasting button light turns green, then press the button to start casting your screen. Press the button again to pause screencasting.



* In the case where the laptop's type C port does not meet the full feature requirement, use the USB-C/A to HDMI & USB-A adapter instead.

* Use the USB extension cable if the laptop's USB-A port is not nearby the HDMI port.

(6) To use the speakerphone MS10 and access the camera wirelessly, in your video conference software, select "MS10 Wireless Camera" as your microphone, speaker, and camera.



USB Camera CM70

Model	Features	Specifications
Camera	Sensor Type	IMX415(1/2.8") 3840*2160
	Output Resolution	MJPEG/H264/H265/YUV/NV12 30P(YUV and NV12 do not support 4K and 2K resolutions) 3840*2160/2560*1440/1920*1080/1280*720/1024*576/960*540/800*448/640*360/320*180 960*720/800*600/640*480/480*270/352*288/320*240
	FOV	DFOV118.5° HFOV 109.9° VFOV 74.6°
	Auto Framing	Auto
	F/No	F2.5
	Zooming	5x digital zoom
	Maximum Resolution	USB3.0:3840*2160 p30/USB2.0:1920*1080 p30
Microphone	Security protection	Manual Privacy Cover
	Microphone Type	2 Electret Microphones
	Pick-up Range	4m
	Signal to Noise Ratio	94dB SPL @ 1KHz 65dB(A)
	Microphone Sensitivity	94dB SPL @ 1KHz -30±2dB FS
	duplex	√
	Automatic Gain Control	√
	Automatic Noise Suppression	√
	System Support	Win7/Win10/macOS 10.8 and later

Speakerphone MS10

Model	Features	Specifications
Microphone	Built-in Microphone	8 MEMS Microphone for 360-degree pickup
	Pick-up Distance	4 m
	Signal/Noise Ratio (SNR)	64.5dB(A)
	Sensitivity	-26dBFS@1kHz(0dB=1V/Pa)
	Acoustic Overload Point	119dB SPL THD<10%@1KHz
	Frequency	20Hz - 10kHz
	Duplex	√
	Beamforming	√
	Automatic Noise Suppression	√
	Acoustic Echo Cancellation	√
Speaker	Automatic Gain Control	√
	Speaker	4Ω3W
	Speaker Size	50mm
	Sensitivity	1KHz 85dB ± 3dB @0.5m @3W
	Signal/Noise Ratio (SNR)	50dB
	Frequency Range	200Hz~20KHz
Max. Sound Pressure Level	85dB SPL @0.5m @3W	
Background Noise	<30dB	
Total Harmonic Distortion	200Hz ~ 10KHz MAX 5%	

Receiver RC10

Model	Features	Specifications
WIFI	protocol	802.11 a/n/ac
	Wireless Transmission Protocol	Quick UDP Internet Connections
	Transmission Distance	Up to 10M
Camera Streaming	Frequency bands and the maximum transmitted power (For EU)	5150-5250MHz (Wi-Fi 5GHz) , Max 20dBm 5250-5350MHz (Wi-Fi 5GHz) , Max 20dBm 5470-5725MHz (Wi-Fi 5GHz) , Max 20dBm 5725-5850MHz (Wi-Fi 5GHz) , Max 20dBm
	Max. Output Resolution	1920x1080 @30FPS
	Support Camera Type	UVC camera
Format Supported	H.264	

Others

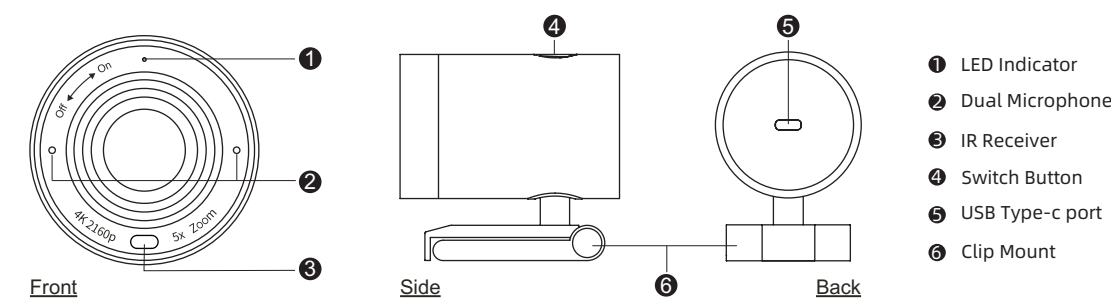
Model	Specifications
I/O Interface	USB Camera : TYPE Cx1 Speakerphone : Type C PD + DP ALT Receiver : HDMI x1; TYPE C PD ; USB A 3.0x1
Operating System	Win 10/ 11; Mac 10.8 and Later
Product Dimensions	USB Camera : 80x75x53mm/3.15x 2.95x 2.09" Speakerphone : 180 x 81 x 32mm / 7.09 x 3.19 x 1.26" Receiver : 102 x 45 x 20mm/ 4.02 x 1.77 x 0.79"
Product Weights	USB Camera : 210g/7.4oz Speakerphone : 385g / 13.58oz Receiver : 70g / 2.47oz
Package Contents	Contents: USB Camera , Speakerphone and Receiver, Remote Control & Battery x2, Power adapter, 1.5m HDMI Cable, USB-C to HDMI & USB-A/C Adapter USB Extension Cable 1m USB Cable(Type C-A) Quick Installation guide

USB Type-C Specification Table

USB-C Connector	Data Transfer	Display	Power
USB 2.0 480 Mbps	Normal	0	X
	PD Enabled	0	X
USB 3.1 Gen 1 5 Gbps	Normal	0	X
	PD Enabled	0	X
USB 3.1 Gen 2 10 Gbps	Normal	0	X
	PD Enabled	0	X
DisplayPort 5-10 Gbps	Normal	0	0
	PD Enabled	0	0
Thunderbolt 20-40 Gbps PD Enabled DisplayPort		0	0

HOW TO USE

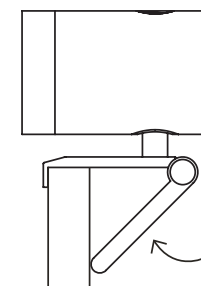
USB Camera CM70



Getting Start With Our Camera

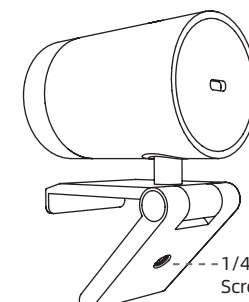
Clip Mount

Easily mount onto any displays such as laptop monitor, television or interactive display using its built-in clip mount.



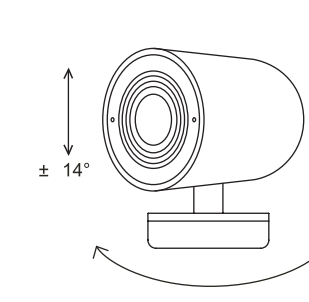
Tripod Mount

Tripod screw hole is located at the bottom of the clip mount for tripod mounting.

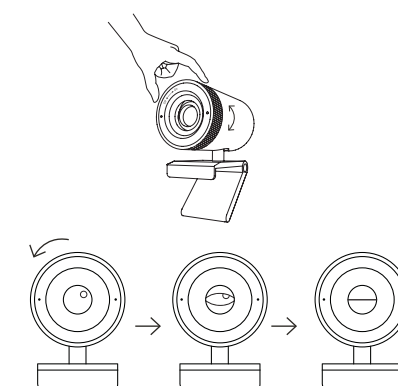


Swivel & Tilt

Manually adjust the webcam tilt up/down or swivel right/left to the best shooting angle.



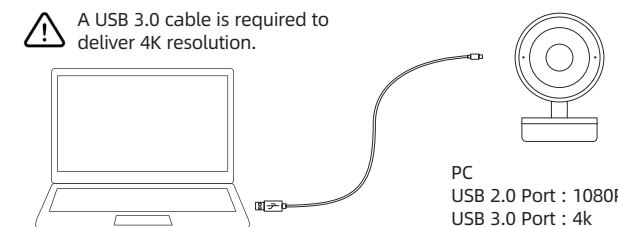
Privacy Cover



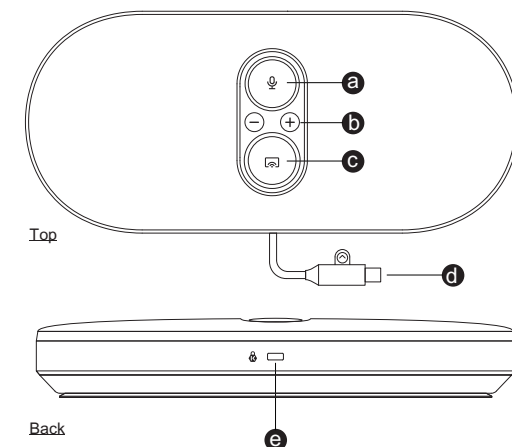
Connecting the camera

- Connect the type C end of the bundled USB cable to the Type C port at the back of the USB Camera.
- Connect the Type A end of the same cable to a laptop or workstation. If connecting to USB 2.0 port of PC, the maximum available resolution will be 1080P. If connecting to USB 3.0 port of PC, the maximum available resolution will be 4K.

⚠ A USB 3.0 cable is required to deliver 4K resolution.

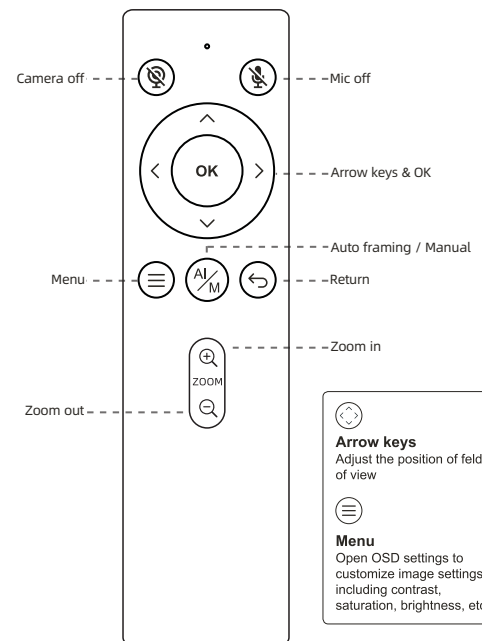


Speakerphone MS10

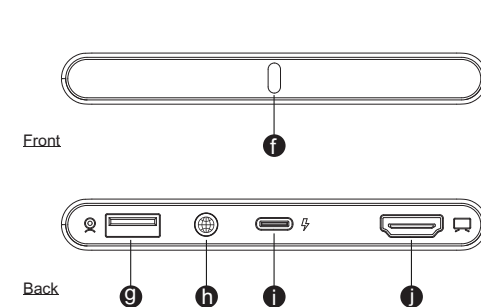


- a** Mic Mute
Green light : Mic On
Red light : Mic off
- b** Speaker Volume
- c** Screencast
Press to start/end screencasting
- d** Type C cable to laptop
For power supply and signal transmission
- e** Kensington Nano Slot
- f** Status Indicator
- g** USB Interface for camera (5V 0.9A)
- h** Language / Pair
Short press : switch language
Long press : Re-pair
- i** Power Supply
- j** HDMI Out for display

Remote control



Receiver RC10



Speakerphone MS10 LED Indicator Status

Flashing Green	Connecting in progress.
Static Green	Connection succeed, ready for screencasting.
Static Yellow	No DP signal from the laptop port.
Static Red	Connection failed: 1. Replug the Speakerphone 2. The Receiver is not powered, please replug and ensure the Receiver indicator light shows static white. 3. The Receiver and Speakerphone are not paired. Please ensure they are the original paired units. Otherwise please re-pair.

Receiver RC10 LED Indicator Status

Flashing Green	Connection in progress.
Static Green	Connection succeed, ready for screencasting.
Static White	Stand by.

Camera CM70 LED Indicator Status

Event	Camera response	LED Status
Plug-in power	/	Red light & orange light flashing
Camera is in use	/	Green light
Camera is not in use	/	Red light
Single press the switch button	Switch to 1x ↑ 2x ↑ 3x ↑ 4x ↑ 5x ↑ auto framing by each press	Red light blink
Long press (>2 sec) the function button	Enter / Exit auto framing mode	Red light blink
Long press (>5 sec) the function button	Reboot the USB Camera	Red light blink
Use remote and turn off camera	Camera is off, pop up a black image with camera of icon	Red light blink
Use remote and turn off mic	Mic is mute, mute icon pop up	Orange light blink
Use remote and turn off both mic and camera	Mic is mute and camera is off, pop up a black image with mic of icon and camera of icon	Red light & orange light blink alternately

REGULATORY AND SERVICE INFORMATION

The products documented in this guide include aspects which are protected under their respective patent, copyright, design copyright, registered design and trademark laws. All other trademarks remain the property of their respective owners. This guide is distributed online. It may only be reproduced for use within the institution in which the product is used. For use outside of your institution, no part of this guide may be reproduced, transmitted, stored in a retrieval system or translated into any other language without the prior permission of our company. Please note that the content in this guide is protected under copyright law. Although every care has been taken in the compilation of this guide, our company accepts no responsibility for errors or omissions, or for damages resulting from the use of information contained within this guide.

Compliance

United States of America

Any Changes or modifications not expressly approved by the party responsible for compliance could void the user's authority to operate the equipment. This device complies with part 15 of the FCC Rules. Operation is subject to the following two conditions: (1) This device may not cause harmful interference, and (2) this device must accept any interference received, including interference that may cause undesired operation.

Note: This equipment has been tested and found to comply with the limits for a Class B digital device, pursuant to part 15 of the FCC Rules. These limits are designed to provide reasonable protection against harmful interference in a residential installation. This equipment generates, uses and can radiate radio frequency energy and, if not installed and used in accordance with the instructions, may cause harmful interference to radio communications. However, there is no guarantee that interference will not occur in a particular installation. If this equipment does cause harmful interference to radio or television reception, which can be determined by turning the equipment off and on, the user is encouraged to try to correct the interference by one or more of the following measures:

- Reorient or relocate the receiving antenna.
- Increase the separation between the equipment and receiver.
- Connect the equipment into an outlet on a circuit different from that to which the receiver is connected.
- Consult the dealer or an experienced radio/TV technician for help.

⚠ These devices comply with RF specifications when the device is used at 20 cm from your body

This device is restricted to indoor use when operating in the 5150-5350MHz frequency range in all EU/EFTA member states and Turkey.

United Kingdom

We declare under our sole responsibility that the Connect conforms to the essential UKCA requirements 2016 No : 1091. Electromagnetic Compatibility regulations 2016, 2016 No : 1101 Electrical Equipment Safety Regulation 2016, 2017 No : 1206 The Radio Equipment Regulation 2017, and UK SI 2016 No : 1091, RoHS Restriction of the use of certain Hazardous Substances in Electrical and Electronic Regulations 2012 - UK SI 2012 No : 3032.

This equipment complies with FCC radiation exposure limits set forth for an uncontrolled environment. This equipment should be installed and operated with minimum distance 20cm between the radiator & your body.

Waste Electrical and Electronic Equipment (WEEE)
For more information concerning the correct disposal of these products, please contact your reseller.

FAQ

Q: What's with it when yellow screencast indicator light on Speakerphone MS10?
Make sure whether the computer connected supports DisplayPort(DP output).

Q: What's with it when red screencast indicator light on Speakerphone MS10?
Power off and on the Speakerphone. Or try pairing again.

Q: Screencast button doesn't work but indicators on Speakerphone MS10/Receiver RC10 are normal?
Check and confirm whether the Speakerphone matches up with Receiver by their SN.

Q: When screencasting, there is no content showed on the screen.
Make sure Receiver RC10 is powered on and plugged into the HDMI IN port of the screen, with the proper signal source channel chosen. Try to change to an alternative HDMI IN port if the issue remains.

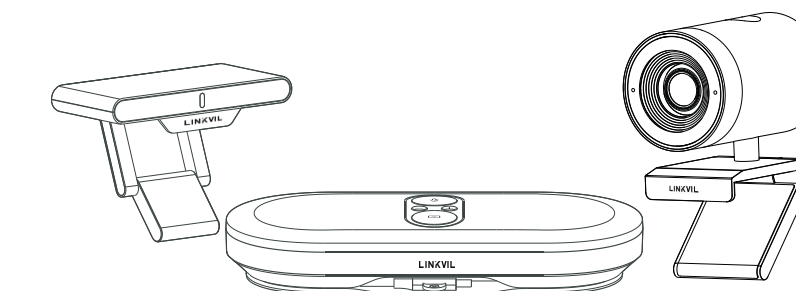
Q: Why does my computer fail to screencast at 4K?
1. Make sure the HDMI plugged in display device can support 4K resolution.
2. Check the resolution setting of your computer.
3. Check the computer casting mode, part of the computer to expand the screen can only be 4K cast screen.

Q: Why does the sound not come out from Speakerphone MS10?
1. Check the Speakerphone is set to output device by default in computer audio setting.
2. Make sure the Speakerphone is opted as microphone and speaker.

Q: How to address echo issues at the other end during meeting?
Choose Speakerphone MS10 as your microphone/speaker to activate Echo Cancellation.

Q: Why does the CM70 camera not work when plugged into Receiver RC10?
Camera functionality may vary due to compatibility issues. Recommended to use a suggested camera if you are experiencing lagging or failed recognition.
1. Select MS10 Speakerphone as an input camera in camera/conference software setting.
2. Unplug/plug the Speakerphone/Receiver, and try after rebooting the system.
3. Check if the power supply exceeds specification, use adapter if it's the case.

Q: Why does the device fail to be detected when plugging the Type-C cable of receiver to computer?
The Type-C port on Receiver is meant for power supply thus no data transmission performed, nor being detected as a device by computer. For details, refer to the USB Type-C specification sheet.



All-in-one Conference Solution Quick Installation Guide

