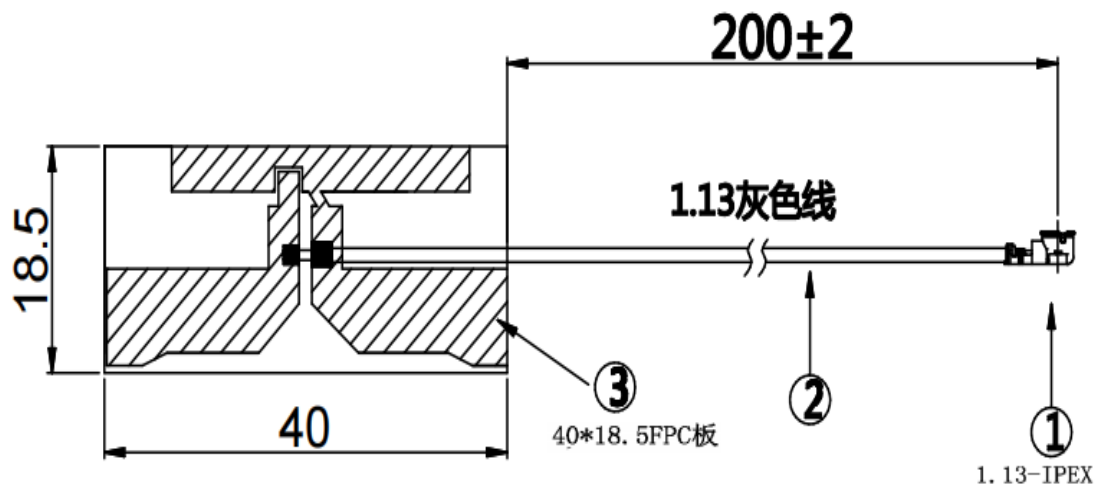


Antenna Specification

Manufactory: Shenzhen Cheung Bo a Technology Co., Ltd.

MODEL : XBY20170262

TYPE: FPC ANTENNA



Characteristic:

Frequency: WIFI 2.4G~2.5G/5.15G~5.8G

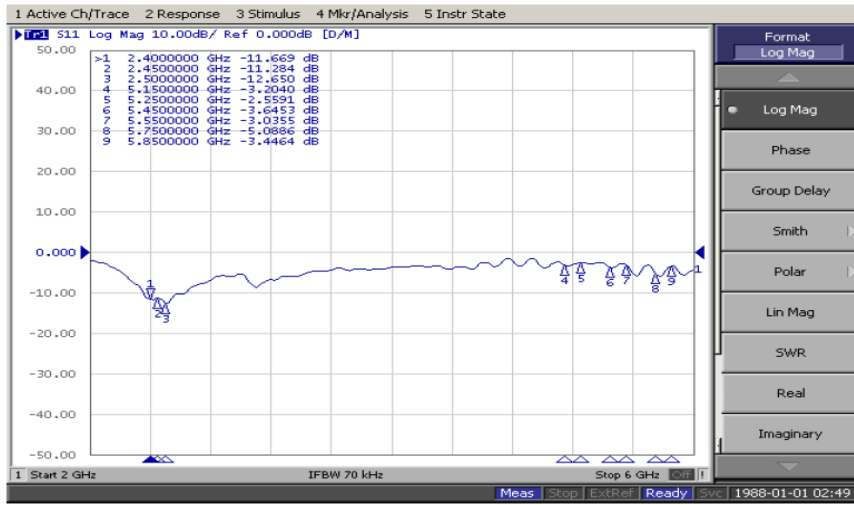
ANTENNA Material: PCB

Gain(Peak): 2dBi

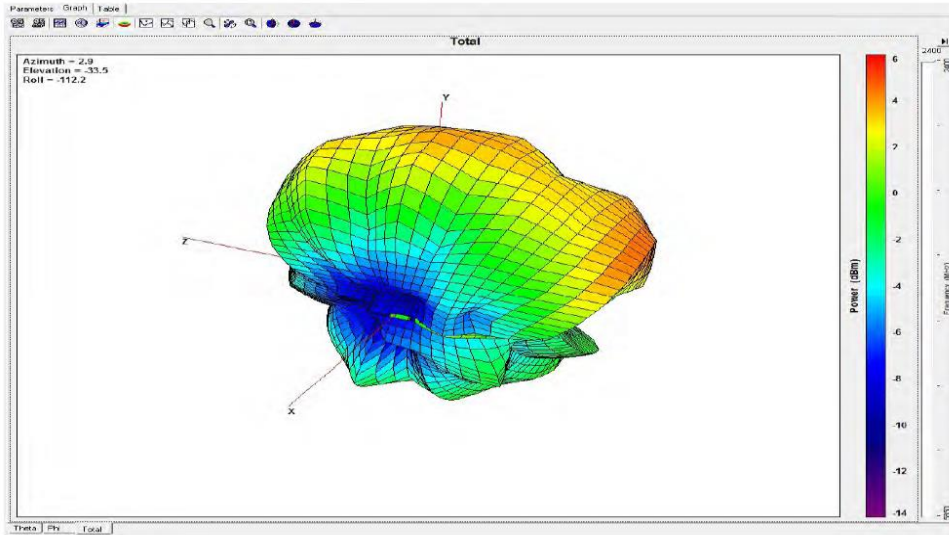
Cable Type: O.D 1.13mm

Connector: IPEX I

TEST DATA:



Center freq.(MHz): : 2400



Center freq.(MHz): : 5150

